

CABLE CONNECTION AND PROTECTION SYSTEM



• 系列化
SERIALIZATION

• 专业化
SPECIALIZATION

• 高品质
HIGH QUALITY

公司简介 Company Profile	01~08
产品简介 Product Introduction	09~12
软管和快速接头系列 Tubings and Quick-screw Connectors Series	13~15
软管与接头及安装拆卸操作规范 Specification for installation and disassembly of tubings and connectors	16~17
WY 软管系列 Tubing series	18~26
WYK 软管系列 Tubing series	26~30
HG-PA 编织管系列 Braiding Tubing Series	31~32
WQG 快速软管接头系列 Quick Screw Connector	33~58
WQF2-M 法兰式环 Flange	59
WQS 固定座 Tubing Clamp	60~61
WQE 软管闷头 End Cap \ WQA 软管保护套 End Cap	62
WQK-PA/WQGR 软管连接件 Plastic Coupling	63~64
WQN 软管保护环 Plastic Coupling	64
WQT/WQY/SVY/SVT 三通 Distributor	65~68
SKM/SKN 紧固夹 Tubing-Clamp	69~70
WQPT 360° 旋转软管接头 Swivlve Connector Coupler	71
WYT-PA 可开式软管 Openable Tubings	72
WYTC 可开式接头 Openable Connector	73
WYTN 可开式螺母 Openable Locknut	74
WY 系列大口径软管 WY Jumbo Tubing	75
WGFPM 大型软管接头 Jumbo Connector	76
FRP 平面密封环 Flat-sealing/ FRM 管道密封圈 Sealing	77
WYFL 软管切割刀具 Tubing Cutter	77
金属软管及接头系列 Metal Conduits and Connectors	78
JS/JSH/JSG/SLS/SLSH/JSB 金属软管 Metal conduits	79~84
DPJK/DPJKT/DPJ/DPJT 端式接头 End Type Connector	85~86
DPN 内牙式接头 Inner Tooth Connector	87
DPJ1/DPN1 金属软管接头 End Type Connector	88~89
USPZ 带锁紧金属软管接头 Metal Conduit connector with Strain Relief	90
DWJ/DNJ/DPT/DPY 弯接头、T型、Y型三通接头 Elbow Metal T、Y-Distributor	91~92
SPR-AS 金属软管 Metal Conduits	93
SPR-PVC-AS 金属包塑软管 Metal Conduit With Sheathing	94
US/USP 金属软管接头 Metal Conduit Connector	95~96
USW/USWP 直角接头 Elbow Connector	97
电缆防水接头系列简介 Cable Gland Series	98-99
HSK 尼龙电缆防水接头 Plastic Cable Gland	100~102
HSK/nxd—多芯尼龙电缆防水接头 HSK/nxd—Plastic Cable Gland With Multi-Core	103~104

HSK-F 防折断尼龙电缆防水接头 HSK-F Breakage-proof Nylon Cable Glands	105
WQPOVK 螺纹型防水透气阀 Waterproof Air Vent Plug With Thread	106
RG / TSS电缆密封环 Rubber Grommet	107~110
HSM 金属电缆防水接头 Metal Cable Gland	111~115
HSM/nxd 多芯金属电缆防水接头 Metal Cable Gland with multi-core	116~117
DHSM 双锁紧金属电缆防水接头 Double-lock Metal Cable Gland	118
PKM/MPKM 平口金属电缆防水接头 PKM/MPKM Metal Cable Gland	119
MHSM 双锁紧屏蔽电缆防水接头 Double-lock Metal Cable Gland	120
HSM.D 单芯电缆防水接头 Single core cable gland	121
HSM.DS 系列耐高温金属电缆防水接头 Series of high temperature resistant metal cable gland	122~123
HSM.ZX 金属电缆防水接头(锥型密封体) HSM.ZX Metal Cable Glands(Cone Seal)	124
HSM-EMV 电磁兼容金属防水接头 EMC Cable Gland/M Thread	125~127
HSM.DS(.ZX) 金属屏蔽电缆防水接头 Metal Shield Cable Gland	128~130
HSMW 直角金属电缆防水接头 90°Elbow Metal Cable Gland	131
HSM-F 系列-防折断金属电缆防水接头 HSM-F Series Anti-breaking Metal Cable Glands	132
HSM-KZ 金属铠装电缆接头 Metal armoured Cable Gland	132
HSK-EX 防爆尼龙电缆防水接头 EX Plastic Cable Gland	133~135
HSM-EX 防爆金属电缆防水接头 EX Metal Cable Gland	136~139
HSM-EX1...4 隔爆型金属电缆防水接头 Exd Flame Proof Metal Cable Gland	140~143
DPK/DPM 闷盖 Plug	144~147
DPK-EX/DPM-EX 防爆闷盖系列 Explosion-proof Plug Series	148~152
DPM-Exd 隔爆闷盖系列 Explosion-proof Plug Series	153
REK 尼龙减缩环 Polyamide Reducer	154
GMK 尼龙螺母 Polyamide Lock Nut	161~162
GM 金属螺母 Metal Lock Nut \ GME-M 齿状金属螺母 EMC Lock nut	163~164
HP/SB 扣式闷盖、护线套 Hole Plug Snap Bushing	165
O-ring 密封件 Sealing	166
扳手工具 Wrench Tool	170~171
技术参数 Echnical Data	172~173
电缆拖链系列 Cable chain system	174
测试方法-拖链性能及选型 Test Methods—Drag chain performance and selection	175~179
静音拖链系列 Silent Drag Chain Series	180~183
不封闭 微型10、18、25、26、35、45、60、80 系列 Not closed Series	184~199
全封闭26C、35C、45C、60C系列 Fully enclosed series	200~205
关于拖链载重说明 Attachment: Description Of Cable Chains	206
资质证书 Qualification Certification	207

COMPANY PROFILE

公司简介



上海文依电气股份有限公司成立于1999年，是一家专业生产电缆防水接头、软管、软管接头、拖链及接插件的高新技术企业。价优质高的文依产品被广泛应用于新能源汽车、轨道交通、航空航天设备、机械制造、风电&太阳能、自动化仪器仪表、电梯、灯具照明、电机马达、中央空调、通讯和家用电器等各行各业，产品远销欧洲、亚洲、南美、北美和大洋洲等地区。

秉承技术引领创新，专业铸就品质的经营理念，经过长时间的研发创新、工艺改革、技术升级，文依电气积累超20年的研发和生产经验，拥有近60项专利技术，各类产品分别通过CE认证、UL/CUL认证、ATEX/IECEX认证及挪威船级社DNV.GL认证。文依电气响应全球环境管理政策，创建人类命运共同体，公司产品符合欧盟ROHS、REACH要求。生产车间配置各类全自动精密机加工车床、中央供料系统、自动组装机、自动包装机及先进的产品搬运系统。智能化的精益设备，更好更快地为客户提供质高价优的精密件和机械零部件产品。

文依电气贯彻落实规范化、标准化、精细化的管理方针。于2003年首次通过ISO9001质量管理体系认证。为拓宽产品使用领域，满足各行业要求，文依公司陆续通过TUV颁发的TS16949质量管理体系和IEC80079-34防爆质量管理体系。2018年顺利通过ISO9001:2015、IATF16949:2016、IEC80079-34体系换版认证。随着信息化时代的高速发展，基于提高业务效率，实现无纸化办公，文依电气导入SAP管理系统、OA办公系统。经过多年的实践运作与流程优化，建立和落地全面质量管理体系，2020年获得浦东新区“全面质量管理--质量标杆”荣誉称号。

2015年5月公司斥资6000万元，独资建造了又一个精密技术现代化新工厂——文依精密科技(上海)有限公司。主要负责连接器、高压线束、高压配电箱、精密模具、汽车零部件设计、制造与销售等。其产品将广泛服务于汽车、轨道交通、军工、电子、电器、通讯、医疗机械等。

上海文依电气股份有限公司旨在创造卓越品牌，打造百年企业。文依电气愿与您携手共创完美的电气连接与保护系统。



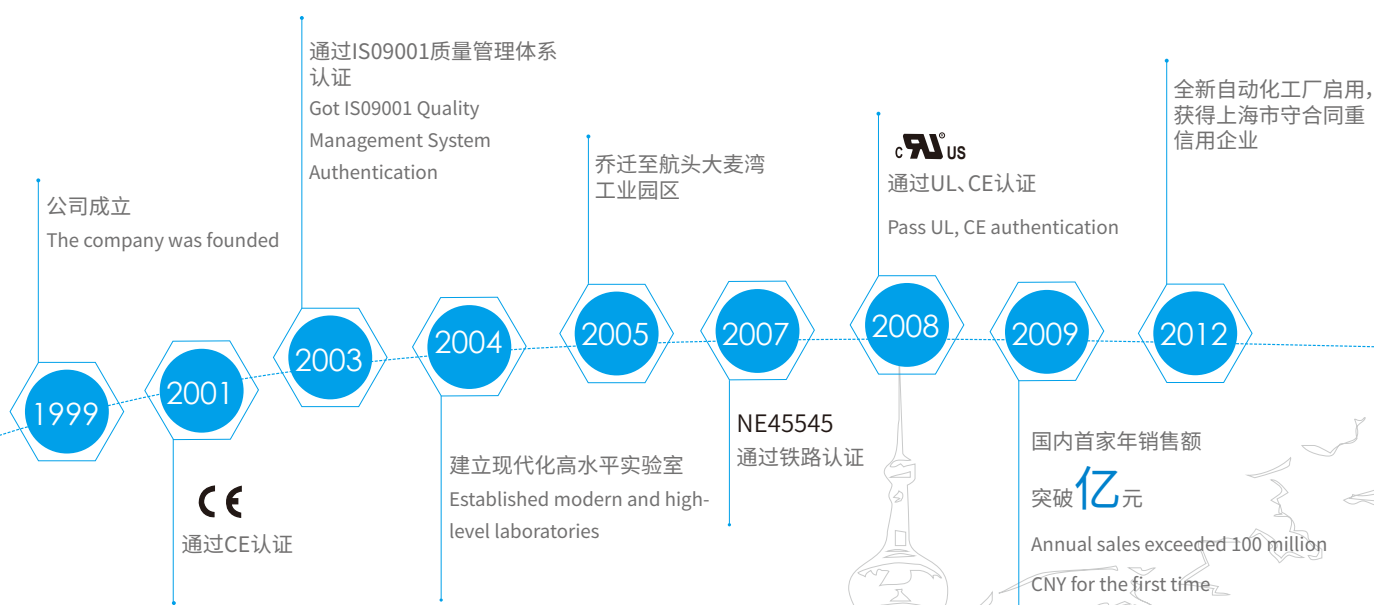


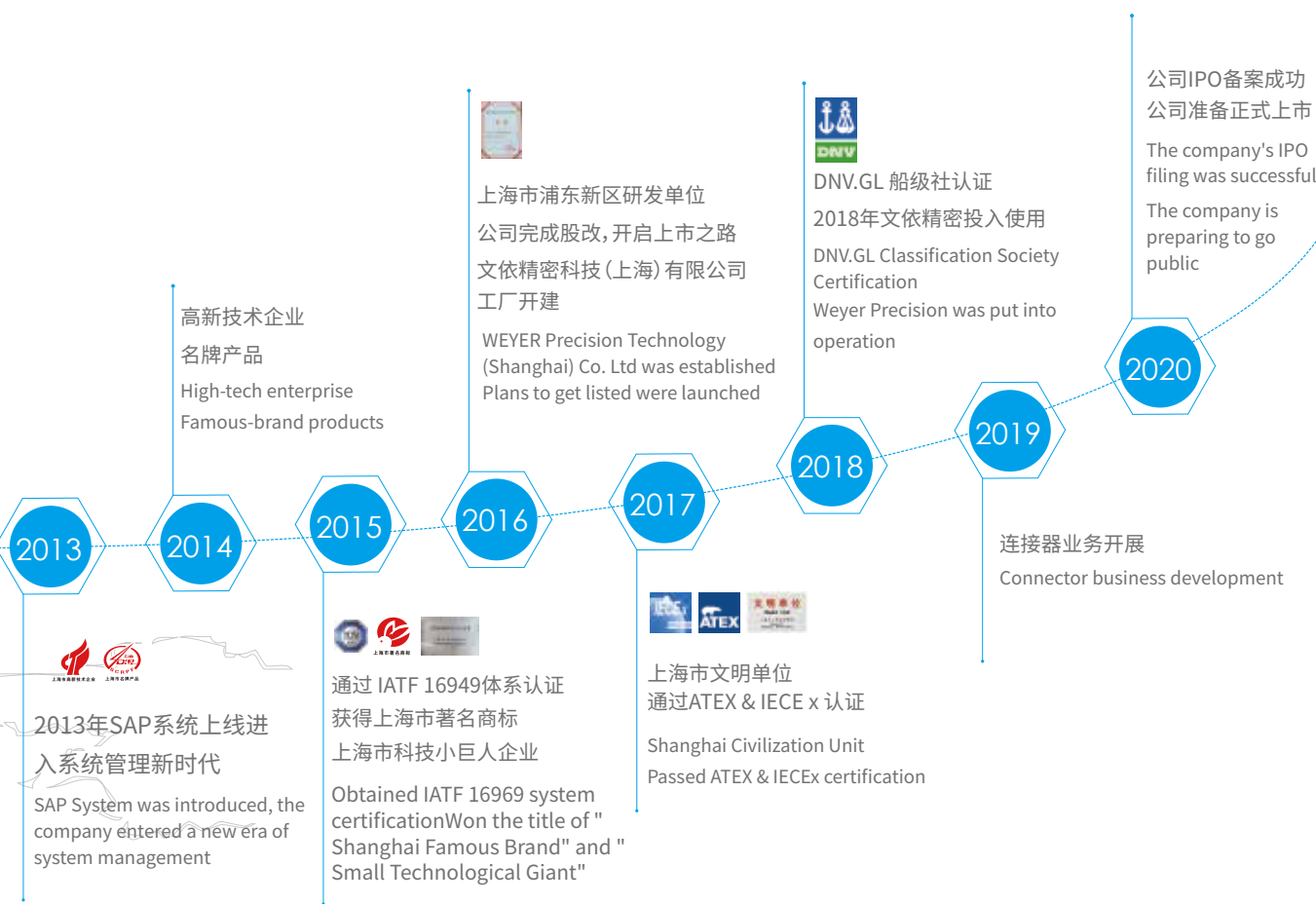
Established in 1999, Shanghai Weyer Electric Co., Ltd. is a high-tech enterprise specializing in the production of cable connectors, tubing and tubing connectors, cable chains and plug-in connectors products with low prices and high quality are widely used in new energy vehicles, rail transit, aerospace equipment, robots, machine tools, wind power generation equipment, port equipment, tobacco equipment, construction machinery, plastic machinery, automatic instruments, lamps, elevators, motors, central air conditioning and other industries. The products are exported to the United States, Germany, Japan, France, Belgium, etc. New Zealand, Australia, Brazil, Korea, Thailand, Taiwan, China and other countries and regions. After a long period of R&D and innovation, technological reform, and upgrading, The products have been improved continuously, and, the company has accumulated nearly 20 years of professional production experience, with a number of patented technology. In 2003, the company passed the ISO 9001 quality management system certification. In July 2015, the company passed the IATF16949 quality management system certification issued by German TUV. ATEX and IECEx certifications were passed in 2017. In 2018, it was certified by Norwegian Classification Society DNV. GL. All kinds of products have also been certified by CE, RoHS, UL/CUL, etc. In May 2015, the company invested about 10 million US Dollars to build another modern new factory, Weyer Precision Technology (Shanghai) Co., Ltd. focusing on precision die design and manufacturing, automotive parts production and sales. Its products will be widely used in automobiles, electronics, electrical appliances, communications, medical machinery and so on. Adhering to the business philosophy of technology-led innovation and professional quality-building and the management policy of institutionalization, standardization and refinement, Shanghai Weyer Electric is willing to create the most perfect electrical connection and protection system with you.

COMPANY PROFILE

MEMORABILIA OF THE COMPANY

公司大事记





CERTIFICATE HONOURS

企业荣誉



Professional Testing Equipment

专业的实验设备

公司通过严格的产品性能测试, 确保公司产品的高质量和高性能

The company guarantees products with high quality and good performance through strict testing process

>> 软管性能测试方法

Tubing Performance Testing Methods



2.5次元 2.5 Dimension

自动转塔数显显微硬度计
Micro hardness tester with automatic turret digital display

高低温测试仪
High temperature tester

数显洛氏硬度计
Rockwell hardness tester with digital display



拉伸测试仪
Tensile testing device



IP测试仪 IP testing device



测高仪 Altimeter



老化测试仪
UV/Aging tester



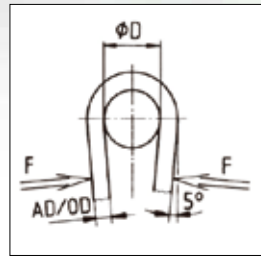
盐雾测试仪
Spray-salt testing equipment



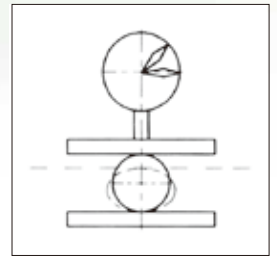
水分测试仪
Moisture tester



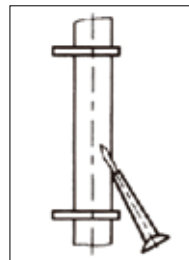
电热恒温鼓风干燥箱
Thermostatic electric air drying box



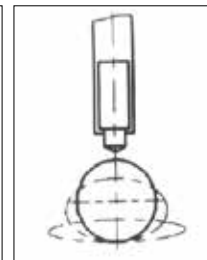
低温弯曲测试符合文依企业标准
Cold bending test according to Weyer standard



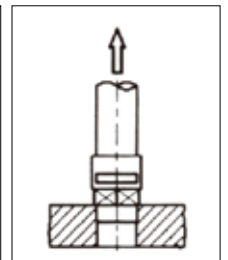
压力符合文依企业标准
Pressure test according to Weyer standard



自熄性能测试符合EN 61386标准
Self-extinguishment test according to EN61386 test



撞击测试符合EN61386标准
Impact test according to EN61386



抗拉强度测试仪符合EN 61386标准
Tensile strength test according to EN61386



防护性能测试
IEC60529
IP test

TECHNOLOGY LEADS INNOVATION

Speciality Makes Quality

技术引领创新, 专业铸就品质



研发规模 Research and Development

公司自成立至今, 每年持续投入研发经费占销售收入的5%。公司从设备、人员、技术等方面全面提升研发实力, 不断追求创新, 以期开发出更多满足国内外客户需求的产品, 及提供最高尖精的技术服务。公司现有研发技术人员超70人, 本科以上学历占比60%。公司现有实用新型专利41个, 另发明1项。

Since its establishment, the company has continued to invest in R&D funding 5 % of sales revenue each year. The company comprehensively enhances R&D capabilities from equipment, personnel, technology, etc., and pursues innovation in order to develop more products that meet the needs of domestic and foreign customers and provide services of the high levels. The company has more than 70 R&D technicians and 60 % of undergraduate or staff with above qualifications. The company has 41 patents for utility models and one invention.

注塑成型机

Injection molding machine

集中供料系统

Centralized feeding system



挤出成型机 Extrusion moulding machine



CNC加工中心 CNC Processing Centre



全自动加工 Automatic processing

EFFICIENT DESIGN AND R&D CAPABILITIES

高效设计与研发能力



快速交货系统 Quick Delivery System



超过 50 万米的软管仓储
more than 500000m of conduits on stock



各种螺纹规格的接头仓储
different kinds of screw connectors on stock



公司设有上海、广州、天津等地有仓库或寄售库。配套使用网络版SAP系统,可随时随地处理订单,同时以最快的速度将库存信息和发货信息反馈给客户。

We have warehouses in Shanghai, Guangzhou and Tianjin etc. We use SAP system through network, which helps us deal with orders at any time or place. Meanwhile, we can feedback the stock information to the customers and deliver the goods to them rapidly.

公司各类产品通过了如下各种认证

The company's various products have passed the following certifications



EN45545

一、电缆防水接头 Cable Gland Series



透气阀、尼龙电缆接头
Metal Cable Gland、Plastic Cable Gland

金属电缆接头
Metal Cable Gland



防爆/隔爆电缆接头
EXe / EXd Cable Gland

金属屏蔽电缆防水接头
Metal Shield Cable Gland



二、软管、软管接头及配件 Tubings, Connectors And Accessories

普通波纹管
Normal Wave



软管接头
Tubings Connectors



软管接头及配件
Tubings Connectors and Accessories



剖开软管
Slit Tubing



可开式软管
Openable Tubing



金属编织管
Wire Braiding



高阻燃编织管
Polyamide Conduit With Braiding



自卷式纺织编织管
Self-winding Textile Braided Pipe



可开式软管接头及配件
Openable Tubings Connectors
and Accessories



特大软管接头及配件
Jumbo Tubings Connectors
and Accessories



特大软管接头
Jumbo Tubing Connectors



二、软管、软管接头及附件 Tubings, Connectors And Accessories



P3型 金属包塑软管
P3 Metal Conduit

P3型 金属软管
Metal Conduit

金属接头
Metal Connector



SPR-AS金属软管
PR-SPR Metal Conduit

T型三通接头 Y型三通接头
Metal T-distributor Metal Y-distributor

增强管
Enhanced Conduit

平包软管
Metal Conduit With Smooth Sheathing



WEYERgraff 金属软管
Metal Conduit

SPR-PVC 金属包塑软管
SPR-PVC Metal Conduit

SPR-PU 金属包塑软管
SPR-PU Metal Conduit

WEYERgraff-PU 金属包塑软管
Metal Conduit With PU Sheathing



三、拖链系统 Cable Chain System



部分非标产品

Part Of The Non-Standard Products



附件 Accessories



可提供更多的非标产品
More non-standard products are available

WEYER
电气连接与保护系统

软管及软管接头系列

Tubings and Tubing Connectors Series



WEYER
电气连接与保护系统

塑料软管和快速接头系列

Plastic Tubings and Quick-screw
Connectors Series



软管和快速接头系统 Tubing and Quick-screw Connector System

快速软管接头系统无需工具, 方便安装、拆卸, 极大地减少了安装、拆卸时间。

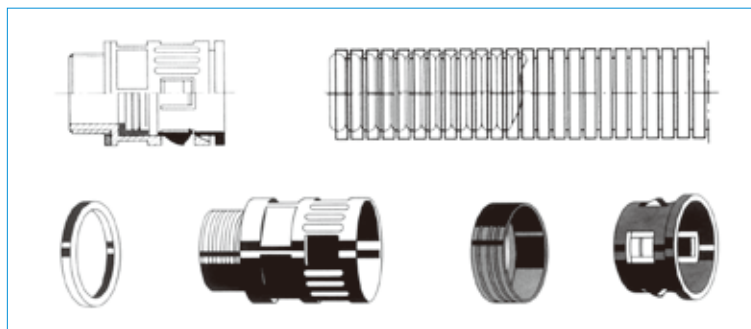
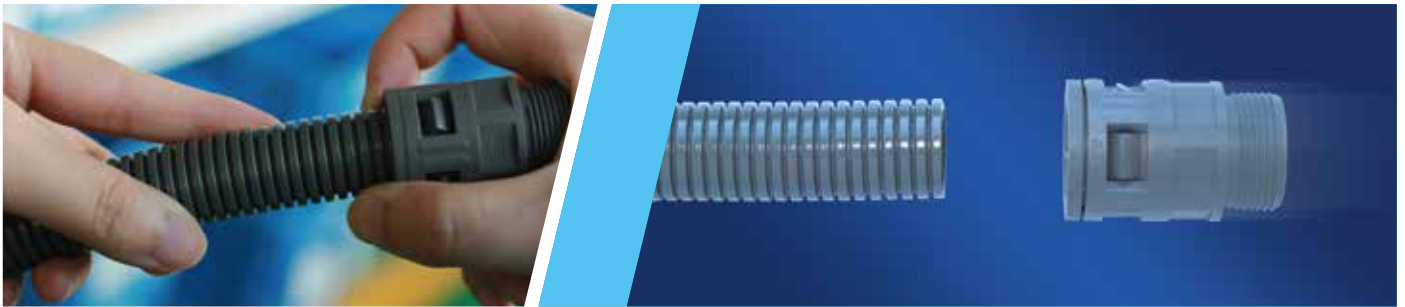
No additional tools; Easy to install and uninstall; Extremely save time

简便 · 快速 · 可靠 · 安全

只需稍用力将软管插入接头就可以完成接头的连接安装, 插入后再次用力, 就能完成软管的紧固并能达到一定的防护等级。

Simple, Quick, Reliable, Safe

Push the tubing into the connector and its assembly is done. After insertion, apply force again to complete the fastening of the tubing and reach a certain protection degree.



密封垫片
flat-sealing

接头体
screw connector body

密封衬套
sealing

内锁扣
snap-in sleeve

软管、软管接头示意图

Delineation of tubing and connector

IP68软管接头结构示意图

Delineation of connector structure (IP68)



剖开软管 Slit Tubing

普通波纹 Normal Wave

软管和接头的选择方法

- 根据使用场合, 如温度、耐腐蚀能力、阻燃等级、柔韧性等要求选择不同材质的软管。
- 按照软管内部需要安装的线束外径大小确定具体的软管尺寸, **建议10%的富余空间, 剖开式软管建议25%的富余空间。**
- 选择合适的软管接头, 按螺纹标准、防护等级、使用场合等确定。
- 特殊情况建议咨询专业技术人员。

Selection Methods

- Choose tubings of different materials according to the application, such as temperature, corrosion resistance, flame retardant grade, flexibility and other requirements.
- Determine the tubing dimension according to the outer diameter of the cables and **suggest 10% spare space, split tubing recommended 25% surplus space.**
- Choose the suitable connector according to thread standard, protection degree, applications etc.
- Consult professional technicians for special situations.

安装准备:

- 工具:软管切割刀具(或者其他刀具等)
- 产品:软管接头、软管

Installation preparation:

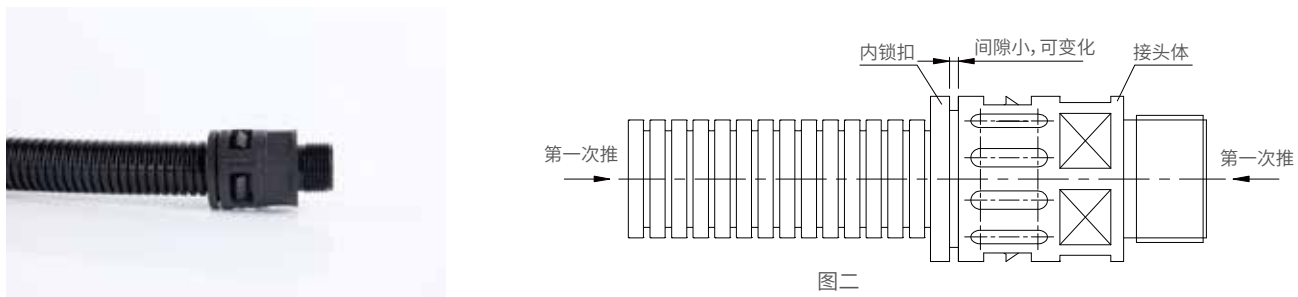
- Tools: Tubing cutting tools (or other tools, etc.)
- Products: Tubing connectors, tubings

安装步骤 Installation steps

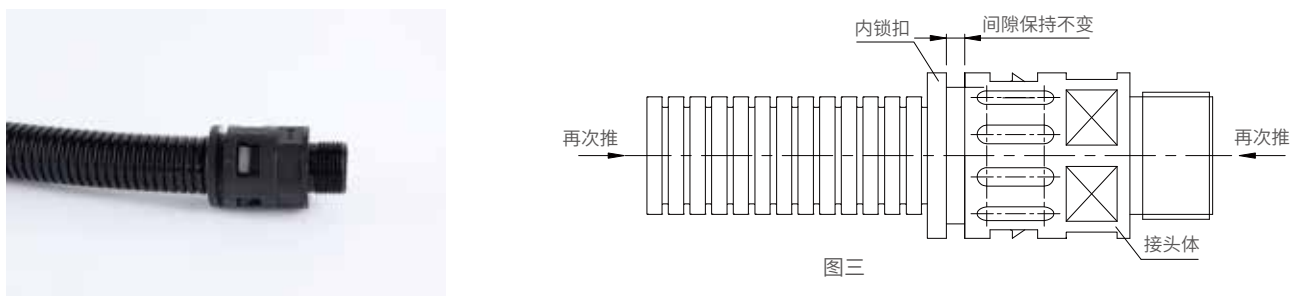
- (1) 软管的切割:用软管切割刀具(或者其他刀具等)将软管依照需要的长度尺寸切割,保证**切开面在软管同一节距的凹槽内,且与软管凸出部分的端面基本平整**,也不能出现缺料现象;反之,需修整。如图一。
- Tubing cutting: Use tubing cutter (or other cutters, etc.) to cut the tubing according to the required length size, ensure that **the cut surface is in the groove of the same pitch of the tubing, and that the end surface of the protruding part of the tubing is basically flat**, and there is no material breakage. Otherwise, it needs to be repaired. As shown in figure 1.



- (2) 将软管插进对应的软管接头,只要稍用力,就可以完成接头和软管的连接安装。此时软管向接头方向稍用力移动时,内锁扣与接头体的间隙有明显变小,方向拉开时,间隙明显变大;如果将软管在接头体内旋转时,**可轻松旋转软管**。此时软管与接头**未安装到位**,达不到防护等级的要求如图二。
- Insert the tubing into the corresponding tubing connector, and only need a little force to complete the connection and installation of the connector and the tubing. At this time, when the tubing moves slightly towards the connector, the gap between the inner lock and the connector body will be significantly smaller. When the direction is pulled apart, the gap is obviously larger; if the tubing is rotated in the connector body, **the tubing can be easily rotated**. At this time, the tubing and connector **are not installed in place**, and the protection degree is not met, as shown in figure 2.

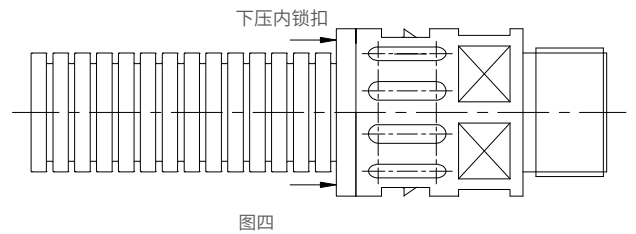


- (3) **再次用力**将软管向接头内推进,内锁扣**明显向软管方向弹出**,用力将软管向接头方向挤压时,内锁扣与接头体之间的间隙基本不变;如果将软管在接头体内旋转时,明显有**阻力**。这是间隙h约为3~4毫米。这就能完成了软管的紧固,并能达到规定的防护等级。如图三。
- **Push** the tubing into the connector **again**, and **the inner lock is obviously ejected in the direction of the tubing**. When the tubing is squeezed to the connector direction, the gap between the inner lock and the connector body is basically the same; When the connector body rotates, there is obvious **resistance**. This is the gap h is about 3~4 mm. This can complete the fastening of the tubing and achieve the specified protection degree. As shown in figure 3.

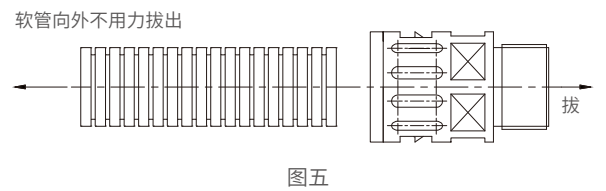


拆卸步骤 Disassembly steps

- (1) 从端面压紧接头上的内锁扣, 是内锁扣与接头体之间的间隙基本为零。如图四。
- Press the inner lock on the connector from the end surface, so that the gap between the inner lock and the connector body is basically zero. Such as figure 4.



- (2) 稍用力将软管从接头内拔出, 完成接头和软管的拆卸。如图五。
- Pull the tubing out of the connector with a little force to complete the disassembly of the connector and tubing. As shown in figure 5.



WY-PE 聚乙烯软管 Polyethylene Tubing

- 材料: 聚乙烯PE
- 防护等级: IP68
- 颜色: 深灰色(RAL 7037), 黑色(RAL 9005), 橙色(RAL 2009)
- 温度: -50°C~80°C短时达到100°C
- 阻燃等级: HB(UL94), 根据FMVSS 302要求, 燃烧速度 <100mm/min
- 特性: 耐油, 柔软, 低硬度, 表面光泽, 不含卤素、磷、镉, 通过RoHS测试
- 应用场合: 机器制造、电力设备, 电气控制柜



- Material: Polyethylene PE
- Protection degree: IP68
- Color: Grey (RAL 7037), black (RAL 9005), orange (RAL 2009)
- Temperature range: Min-50°C, Max80°C, Short-term 100°C
- Flame-retardant: HB (UL94), according to FMVSS 302: <100mm/min
- Properties: Oil resistant, flexible, low rigidity, glossy surface, free of halogen, phosphor and cadmium passed RoHS
- Applications: Machine building, electric equipment, electric control cupboard

★ 订货编号: #=B(黑色)、G(深灰色)、OG(橙色)

Order number: #=B(Black)、G(Dark grey)、OG(Orange)

可做剖开软管, 型号为: WY-PE/S-ADXX #

Note: Slit tubing is available, type: WY-PE/S-ADXX #

规格型号 Article no.	内径×外径 ID×OD mm×mm	静态弯 曲半径 Stat.r (mm)	动态/低温 弯曲半径 Dyn.r (mm)	重量 Weight (kg/m±10%)	包装 (米/卷) PU (m/ring)
WY-PE-AD8.0 #	5.7×8.1	12	30	0.008	200
WY-PE-AD10.0 #	6.5×10.0	15	35	0.014	100
WY-PE-AD13.0 #	9.5×13.0	20	45	0.023	100
WY-PE-AD15.8 #	12×15.8	25	55	0.032	100
WY-PE-AD18.5 #	14.3×18.5	35	65	0.036	50
WY-PE-AD21.2 #	17×21.2	40	75	0.048	50
WY-PE-AD25.5 #	21×25.5	42	85	0.056	50
WY-PE-AD28.5 #	23×28.5	45	100	0.066	50
WY-PE-AD31.5 #	26×31.5	50	110	0.083	25
WY-PE-AD34.5 #	29×34.5	55	120	0.090	25
WY-PE-AD42.5 #	36×42.5	65	150	0.136	25
WY-PE-AD54.5 #	48×54.5	80	190	0.175	25

WY-FPE 阻燃聚乙烯软管 Flame Retardant Polyethylene Tubing

- 材料: 聚乙烯PE
- 防护等级: IP68
- 颜色: 深灰色(RAL 7037), 黑色(RAL 9005), 橙色(RAL 2009)
- 温度: -50°C~100°C短时达到125°C
- 阻燃等级: V0(UL94), 根据FMVSS 302要求, 自熄, B级
- 特性: 耐油, 柔软, 低硬度, 表面光泽, 不含卤素、磷、镉, 通过RoHS测试
- 应用场合: 机器制造、电力设备, 电气控制柜, 汽车线束



- Material: Polyethylene PE
- Protection degree: IP68
- Color: Grey (RAL 7037), black (RAL 9005), orange (RAL 2009)
- Temperature range: Min-50°C, max100°C short-term 125°C
- Flame-retardant: V0(UL94), according to FMVSS 302: self-extinguishing, type B
- Properties: Oil resistant, flexible, low rigidity, glossy surface, free of halogen, phosphor and cadmium passed RoHS
- Applications: Machine building, electric equipment, electric control cupboard, car wire harness

★ 订货编号: #=B(黑色)、G(深灰色)、OG(橙色)

Order number: #=B(Black)、G(Dark grey)、OG(Orange)

可做剖开软管, 型号为: WY-FPE/S-ADXX #

Note: Slit tubing is available, type: WY-FPE/S-ADXX #

规格型号 Article no.	内径×外径 ID×OD mm×mm	静态弯 曲半径 Stat.r (mm)	动态/低温 弯曲半径 Dyn.r (mm)	重量 Weight (kg/m±10%)	包装 (米/卷) PU (m/ring)
WY-FPE-AD8.0 #	5.7×8.1	12	30	0.008	200
WY-FPE-AD10.0 #	6.5×10.0	15	35	0.014	100
WY-FPE-AD13.0 #	9.5×13.0	20	45	0.023	100
WY-FPE-AD15.8 #	12×15.8	25	55	0.032	100
WY-FPE-AD18.5 #	14.3×18.5	35	65	0.036	50
WY-FPE-AD21.2 #	17×21.2	40	75	0.048	50
WY-FPE-AD25.5 #	21×25.5	42	85	0.056	50
WY-FPE-AD28.5 #	23×28.5	45	100	0.066	50
WY-FPE-AD31.5 #	26×31.5	50	110	0.083	25
WY-FPE-AD34.5 #	29×34.5	55	120	0.090	25
WY-FPE-AD42.5 #	36×42.5	65	150	0.136	25
WY-FPE-AD54.5 #	48×54.5	80	190	0.175	25

WY-PP 聚丙烯软管 Polypropylene Tubing

- 材料: 聚丙烯PP
- 防护等级: IP68
- 颜色: 深灰色(RAL 7037),黑色(RAL 9005),橙色(RAL 2009)
- 温度: -40°C~110°C短时达到120°C
- 阻燃等级: HB(UL94),根据FMVSS 302要求, 燃烧速度<100mm/min
- 特性: 耐油,耐酸碱,好的化学耐腐蚀能力,好的机械强度, 柔软性欠缺,表面无光泽,不含卤素、磷、镉,通过RoHS测试。
- 应用场合: 机器制造、化工设备



规格型号	内径×外径	静态弯 曲半径	动态/低温 弯曲半径	重量	包装
Article no.	ID×OD mm×mm	Stat.r (mm)	Dyn.r (mm)	Weight (kg/m±10%)	(米/卷) PU (m/ring)
WY-PP-AD8.0 #	5.7×8.1	12	30	0.008	200
WY-PP-AD10.0 #	6.5×10.0	15	35	0.014	100
WY-PP-AD13.0 #	9.5×13.0	20	45	0.023	100
WY-PP-AD15.8 #	12×15.8	25	55	0.032	100
WY-PP-AD18.5 #	14.3×18.5	35	65	0.036	50
WY-PP-AD21.2 #	17×21.2	40	75	0.047	50
WY-PP-AD25.5 #	21×25.5	42	85	0.055	50
WY-PP-AD28.5 #	23×28.5	45	100	0.065	50
WY-PP-AD31.5 #	26×31.5	50	110	0.082	25
WY-PP-AD34.5 #	29×34.5	55	120	0.089	25
WY-PP-AD42.5 #	36×42.5	65	150	0.134	25
WY-PP-AD54.5 #	48×54.5	80	190	0.173	25

- Material: Polypropylene PP
- Protection degree: IP68
- Color: Grey (RAL 7037), black (RAL 9005),orange (RAL 2009)
- Temperature range: Min-40 C , max110 C ,short-term120 C
- Flame-retardant: HB (UL94), according to FMVSS 302: <100mm/min
- Properties: Oil resistant, excellent chemical resistanceto acids, alkalis and corrosion, high mechanical Strength,lack of flexibility,dim surface,free of halogen, phosphor and cadmium, passed RoHS.
- Applications: Machine building, chemical equipment

★ 订货编号: #=B(黑色)、G(深灰色)、OG(橙色)

Order number: #=B(Black)、G(Dark grey)、OG(Orange)

可做可剖开软管,型号为: WY-PP/S-ADXX #

Note: Slit tubing is available, type: WY-PP/S-ADXX #

WY-FPP 阻燃聚丙烯软管 Flame Retardant Polypropylene Tubing

- 材料: 聚丙烯PP
- 防护等级: IP68
- 颜色: 深灰色(RAL 7037),黑色(RAL 9005),橙色(RAL 2009)
- 温度: -40°C~125°C短时达到150°C
- 阻燃等级: V0(UL94)、V0(GB/T2408),根据FMVSS 302要求, 自熄,A级
- 应用场合: 机器制造、化工设备、汽车线束。
- 特性: 耐油、耐酸碱,好的耐化学腐蚀能力,低强度,柔软欠缺, 表面无光泽,通过RoHS测试,通过QC/T29106热老化3000h, 热时效240h。



规格型号	内径×外径	静态弯 曲半径	动态/低温 弯曲半径	重量	包装
Article no.	ID×OD mm×mm	Stat.r (mm)	Dyn.r (mm)	Weight (kg/m±10%)	(米/卷) PU (m/ring)
WY-FPP-AD8.0 #	5.7×8.1	12	30	0.008	200
WY-FPP-AD10.0 #	6.5×10.0	15	35	0.014	100
WY-FPP-AD13.0 #	9.5×13.0	20	45	0.023	100
WY-FPP-AD15.8 #	12×15.8	25	55	0.032	100
WY-FPP-AD18.5 #	14.3×18.5	35	65	0.036	50
WY-FPP-AD21.2 #	17×21.2	40	75	0.047	50
WY-FPP-AD25.5 #	21×25.5	42	85	0.055	50
WY-FPP-AD28.5 #	23×28.5	45	100	0.065	50
WY-FPP-AD31.5 #	26×31.5	50	110	0.082	25
WY-FPP-AD34.5 #	29×34.5	55	120	0.089	25
WY-FPP-AD42.5 #	36×42.5	65	150	0.134	25
WY-FPP-AD54.5 #	48×54.5	80	190	0.173	25

- Material: Polypropylene PP
- Protection degree: IP68
- Color: Grey (RAL 7037), black (RAL 9005),orange (RAL 2009)
- Temperature range: Min-40 C ,max125 C ,short-term150 C
- Flame-retardant: V0(UL94), self-extinguishing, A level, according to FMVSS 302 requirements,According to GB/T2408 standard, flame retardant to V0 level.
- Properties: Oil-resistant, acid-base resistant, excellent chemical corrosion resistance, low strength, lack of softness, tarnished surface, passed RoHS test Through QC/T29106 thermal aging 3000h, thermal aging 240h.
- Applications: Machine building, chemical equipment, Car wire harness.

★ 订货编号: #=B(黑色)、G(深灰色)、OG(橙色)

Order number: #=B(Black)、G(Dark grey)、OG(Orange)

可做可剖开软管,型号为: WY-FPP/S-ADXX #

Note: Slit tubing is available, type: WY-FPP/S-ADXX #

WY-FPP-C 轻型阻燃聚丙烯软管 Light Flame Retardant Polypropylene Tubing

- 材料: 聚丙烯PP
- 防护等级: IP68
- 颜色: 深灰色(RAL 7037), 黑色(RAL 9005), 橙色(RAL 2009)
- 温度: -40°C~125°C, 短时达到150°C
- 阻燃等级: V0(UL94), 根据FMVSS 302要求, 自熄, A级
- 特性: 好的耐化学腐蚀能力, 低强度, 柔软性欠缺, 性价比高, 经济性极佳。表面无光泽, 通过RoHS测试, 通过QC/T29106热老化3000h, 热时效240h
- 应用场合: 适合于汽车线束、电梯及需要快速穿线的场合

- Material: Polypropylene PP
- Protection degree: IP68
- Color: Grey (RAL 7037), black (RAL 9005), orange (RAL 2009)
- Temperature range: Min-40°C, max125°C, short-term150°C
- Flame-retardant: V0(UL94), self-extinguishing, A level, according to FMVSS 302 requirements
- Characteristics: Good chemical corrosion resistance, low strength, lack of flexibility, high cost performance, dim surface, passed RoHS, passed the thermal aging test acc. to QC/T29106: 3000h, short time 240h.
- Application: It is suitable for car wire harness, elevator industry and situation that need to be quickly threaded

★ 订货编号: #=B(黑色)、G(深灰色)、OG(橙色)

Order number: #=B(Black)、G(Dark grey)、OG(Orange)

可做可剖开软管, 型号为: WY-FPP/S-C-ADXX #

Note: Slit tubing is available, type: WY-FPP/S-C-ADXX #



规格型号 Article no.	内径×外径 ID×OD mm×mm	静态弯曲半径 Stat.r (mm)	动态/低温 弯曲半径 Dyn.r (mm)	重量 Weight (kg/m±10%)	包装(米/卷) PU (m/ring)
WY-FPP-C-AD10.0 #	6.7×10.0	15	35	0.010	200
WY-FPP-C-AD13.0 #	9.7×13.0	20	45	0.017	100
WY-FPP-C-AD15.8 #	12.2×15.8	25	55	0.028	100
WY-FPP-C-AD18.5 #	14.5×18.5	35	65	0.039	100
WY-FPP-C-AD21.2 #	17.3×21.2	40	75	0.044	50
WY-FPP-C-AD25.5 #	21.3×25.5	42	85	0.059	50
WY-FPP-C-AD28.5 #	23.3×28.5	45	100	0.069	50
WY-FPP-C-AD31.5 #	26.2×31.5	50	110	0.081	50
WY-FPP-C-AD34.5 #	29.3×34.5	55	120	0.102	25
WY-FPP-C-AD42.5 #	36.3×42.5	65	150	0.111	25
WY-FPP-C-AD54.5 #	48.3×54.5	80	190	0.168	25

WY-PA6 尼龙软管 Polyamide Tubing

- 材料: 尼龙6
- 防护等级: IP68
- 颜色: 深灰色(RAL 7037), 黑色(RAL9005), 橙色(RAL 2009)
- 温度: -40°C~115°C 短时达到150°C
- 阻燃等级: HB(UL94), 根据FMVSS 302要求, 燃烧速度<100mm/min
- 特性: 柔软有韧性, 中等壁厚, 表面有光泽, 抗扭曲, 高的机械强度, 耐油、碱、弱酸等, 耐摩擦, 黑色耐紫外线, 不含卤素、磷、镉, 通过RoHS测试
- 应用场合: 机床, 机械制造, 电气控制系统等

- Material: Polyamide 6
- Protection degree: IP68
- Color: Grey (RAL 7037), black (RAL 9005), orange (RAL 2009)
- Temperature range: Min-40°C, max115°C, short-term150°C
- Flame-retardant: HB (UL94), according to FMVSS 302: <100mm/min
- Properties: Flexible and excellent tenacity, medium wall thickness, glossy Surface, wind resistant, high mechanical strength, resistant to oil, acid and solvents. Anti-friction, black tubings are UV-resistant, free of halogen, phosphor and cadmium, passed RoHS.
- Applications: Machine tool, mechanical building, electric control system etc.

★ 订货编号: #=B(黑色)、G(深灰色)、OG(橙色)

Order number: #=B(Black)、G(Dark grey)、OG(Orange)

可做可剖开软管, 型号为: WY-PA6/S-ADXX #

Note: Slit tubing is available, type: WY-PA6/S-ADXX #



规格型号 Article no.	内径×外径 ID×OD mm×mm	静态弯曲半径 Stat.r (mm)	动态/低温 弯曲半径 Dyn.r (mm)	重量 Weight (kg/m±10%)	包装(米/卷) PU (m/ring)
WY-PA6-AD8.0 #	5.7×8.1	12	30	0.010	200
WY-PA6-AD10.0 #	6.5×10.0	15	35	0.017	100
WY-PA6-AD13.0 #	9.5×13.0	20	45	0.028	100
WY-PA6-AD15.8 #	12×15.8	25	55	0.039	100
WY-PA6-AD18.5 #	14.3×18.5	35	65	0.044	50
WY-PA6-AD21.2 #	17×21.2	40	75	0.059	50
WY-PA6-AD25.5 #	21×25.5	42	85	0.069	50
WY-PA6-AD28.5 #	23×28.5	45	100	0.081	50
WY-PA6-AD31.5 #	26×31.5	50	110	0.102	25
WY-PA6-AD34.5 #	29×34.5	55	120	0.111	25
WY-PA6-AD42.5 #	36×42.5	65	150	0.168	25
WY-PA6-AD54.5 #	48×54.5	80	190	0.216	25

WY-PA6-C 轻型尼龙软管 Light Polyamide Tubing

- 材料: 尼龙6
- 防护等级: IP68
- 颜色: 黑色(RAL 9005), 橙色(RAL 2009)
- 温度: -40°C~115°C短时达到150°C
- 阻燃等级: HB(UL94),根据FMVSS 302要求, 燃烧速度 <100mm/min
- 特性: 耐油、弱酸、碱, 好的耐化学腐蚀能力, 好的机械强度, 性价比极高, 在满足最新汽车行业标准的同, 经济性极佳。表面有光泽, 通过RoHS测试, 经济型。
- 应用场合: 适合于汽车线束, 电梯行业及需要快速穿线的场合。



规格型号 Article no.	内径×外径 ID×OD mm×mm	静态弯曲半径 Stat.r (mm)	动态/低温 弯曲半径 Dyn.r(mm)	包装(米/卷) PU (m/ring)
WY-PA6-C-AD10.0 #	6.7×10.0	15	35	100
WY-PA6-C-AD13.0 #	9.7×13.0	20	45	100
WY-PA6-C-AD15.8 #	12.2×15.8	25	55	100
WY-PA6-C-AD18.5 #	14.5×18.5	35	65	50
WY-PA6-C-AD21.2 #	17.3×21.2	40	75	50
WY-PA6-C-AD25.5 #	21.3×25.5	42	85	50
WY-PA6-C-AD28.5 #	23.3×28.5	45	100	50
WY-PA6-C-AD31.5 #	26.2×31.5	50	110	25
WY-PA6-C-AD34.5 #	29.3×34.5	55	120	25
WY-PA6-C-AD42.5 #	36.3×42.5	65	150	25
WY-PA6-C-AD54.5 #	48.3×54.5	80	190	25

- Material: Polyamide 6
- Protection degree: IP68
- Color: Black (RAL 9005), orange (RAL 2009)
- Temperature range: Min-40 C ,max115 C ,short-term150 C
- Flame-retardant: HB (UL94), according to FMVSS 302: <100mm/min
- Characteristics: Oil resistance, acid and alkali resistance, good chemical corrosion resistance, good mechanical strength, high cost performance, while meeting the latest automotive industry standards, glossy surface, passed RoHS.
- Application: It is suitable for car wire harness, elevator industry and situations that need to be quickly threaded

★ 订货编号: #=B(黑色)、OG(橙色)

Order number: #=B(Black)、OG(Orange)

可做可剖开软管,型号为: WY-PA6/S-C-ADXX #

Note: Slit tubing is available, type: WY-PA6/S-C-ADXX #

WY-PA6-D 重型尼龙软管 Heavy-duty Nylon Tubing

- 材料: 尼龙6
- 防护等级: IP68
- 颜色: 深灰色(RAL 7037),黑色(RAL 9005)
- 温度: -40°C~115°C短时达到150°C
- 阻燃等级: HB(UL94),根据FMVSS 302要求, 燃烧速度 <100mm/min
- 特性: 柔软有韧性,表面有光泽,抗扭曲,高机械强度,耐油、碱、弱酸等,耐摩擦,黑色耐紫外线,不含卤素、磷、镉,通过RoHS测试
- 应用场合: 机器制造、电气控制系统等



规格型号 Article no.	内径×外径 ID×OD mm×mm	静态弯曲半径 Stat.r (mm)	动态/低温 弯曲半径 Dyn.r (mm)	重量 Weight (kg/m±10%)	包装 (米/卷) PU (m/ring)
WY-PA6-D-AD10.0 #	6.2×10.0	15	35	0.023	100
WY-PA6-D-AD13.0 #	9×13.0	20	45	0.038	100
WY-PA6-D-AD15.8 #	11.5×15.8	25	55	0.052	100
WY-PA6-D-AD18.5 #	13.8×18.5	35	65	0.060	50
WY-PA6-D-AD21.2 #	16.5×21.2	40	75	0.080	50
WY-PA6-D-AD25.5 #	20.5×25.5	42	85	0.094	50
WY-PA6-D-AD28.5 #	22.5×28.5	45	100	0.110	50
WY-PA6-D-AD31.5 #	25.5×31.5	50	110	0.138	25
WY-PA6-D-AD34.5 #	28.5×34.5	55	120	0.151	25
WY-PA6-D-AD42.5 #	35.5×42.5	65	150	0.227	25
WY-PA6-D-AD54.5 #	47.5×54.5	80	190	0.291	25

- Material: Polyamide 6
- Protection degree: IP68
- Color: Grey (RAL 7037), black (RAL 9005)
- Temperature range: Min-40 C ,max115 C ,short-term150 C
- Flame-retardant: V0(UL94), according to FMVSS 302 requirements; 100mm/min
- Properties: Oil resistant,excellent chemical resistance to acids,alkalies and corrosion,high mechanical strength,lack of flexibility,glossy surface,passed RoHS
- Applications: Machine building, chemical equipment

★ 订货编号: #=B(黑色)、G(深灰色)

Order number: #=B(Black)、G(Dark grey)

可做可剖开软管,型号为: WY-PA6-D/S-ADXX #

Note: Slit tubing is available, type: WY-PA6-D/S-ADXX #

WY-PA6-V2 阻燃尼龙软管 Flame Retardant Nylon Tubing

- 材料: 尼龙6
- 防护等级: IP68
- 颜色: 深灰色(RAL 7037),黑色(RAL 9005), 橙色(RAL 2009)
- 温度: -40°C~115°C短时达到150°C
- 阻燃等级: V2(UL94),根据FMVSS 302要求, 自熄, B级
- 特性: 柔软有韧性, 表面有光泽, 抗扭曲,高机械强度, 耐油、碱、弱酸等, 耐摩擦, 黑色耐紫外线; 自熄灭性好; 中等壁厚, 不含卤素、磷、镉,通过RoHS测试
- 应用场合: 机床, 机械制造, 电气绝缘保护, 地铁电力机车, 空调制冷设备等

- Material: Polyamide 6
- Protection degree: IP68
- Color: Grey (RAL 7037), black (RAL 9005), orange(RAL 2009)
- Temperature range: Min-40°C, max115°C, short-term150°C
- Flame-retardant: V2 (UL94), according to FMVSS 302: self-extinguishing, type B
- Properties: Flexible and excellent tenacity, glossy surface, wind resistant high mechanical strength, resistant to oil, acid and solvents, anti-friction, black tubings UV-resistant, self-extinguishing, medium wall thickness, free of halogen, phosphor and cadmium, passed RoHS.
- Applications: Machine tool, mechanical building, electric insulation protection, underground, electric vehicle and air-conditioner equipment etc.

★ 订货编号: #=B(黑色)、G(深灰色)、OG(橙色)

Order number: #=B(Black)、G(Dark grey)、OG(Orange)

可做可剖开软管,型号为: WY-PA6-V2/S-ADXX #

Note: Slit tubing is available, type: WY-PA6-V2/S-ADXX #



规格型号	内径×外径	静态弯曲半径	动态/低温弯曲半径	重量	包装
Article no.	ID×OD mm×mm	Stat.r (mm)	Dyn.r (mm)	Weight (kg/m±10%)	PU (m/ring)
WY-PA6-V2-AD8.0 #	5.7×8.1	12	30	0.010	200
WY-PA6-V2-AD10.0 #	6.5×10.0	15	35	0.017	100
WY-PA6-V2-AD13.0 #	9.5×13.0	20	45	0.028	100
WY-PA6-V2-AD15.8 #	12×15.8	25	55	0.039	100
WY-PA6-V2-AD18.5 #	14.3×18.5	35	65	0.044	50
WY-PA6-V2-AD21.2 #	17×21.2	40	75	0.059	50
WY-PA6-V2-AD25.5 #	21×25.5	42	85	0.069	50
WY-PA6-V2-AD28.5 #	23×28.5	45	100	0.081	50
WY-PA6-V2-AD31.5 #	26×31.5	50	110	0.102	25
WY-PA6-V2-AD34.5 #	29×34.5	55	120	0.111	25
WY-PA6-V2-AD42.5 #	36×42.5	65	150	0.168	25
WY-PA6-V2-AD54.5 #	48×54.5	80	190	0.216	25

WY-PA6-V2-D 重型阻燃尼龙软管 Heavy Duty Flame Retardant Nylon Tubing

- 材料: 尼龙6
- 防护等级: IP68
- 颜色: 深灰色(RAL 7037),黑色(RAL 9005)
- 温度: -40°C~115°C短时达到150°C
- 阻燃等级: V2(UL94),根据FMVSS 302要求, 自熄, B级
- 特性: 柔软有韧性, 表面有光泽, 抗扭曲,高机械强度, 耐油、碱、弱酸等, 耐摩擦, 黑色耐紫外线; 自熄灭性好; 不含卤素、磷、镉,通过RoHS测试
- 应用场合: 机床, 机械制造, 电气绝缘保护, 地铁电力机车, 空调制冷设备等

- Material: Polyamide 6
- Protection degree: IP68
- Color: Grey (RAL 7037), black (RAL 9005)
- Temperature range: Min-40°C, max115°C, short-term150°C
- Flame-retardant: V2 (UL94), according to FMVSS 302: self-extinguishing, type B
- Properties: Flexible and excellent tenacity, glossy surface, wind resistant high mechanical strength, resistant to oil, acid and solvents, anti-friction, black tubings UV-resistant, self-extinguishing, medium wall thickness, free of halogen, phosphor and cadmium, passed RoHS.
- Applications: Machine tool, mechanical building, electric insulation protection, underground, electric vehicle and air-conditioner equipment etc.

★ 订货编号: #=B(黑色)、G(深灰色)

Order number: #=B(Black)、G(Dark grey)

可做可剖开软管,型号为: WY-PA6-V2-D/S-ADXX #

Note: Slit tubing is available, type: WY-PA6-V2-D/S-ADXX #



规格型号	内径×外径	静态弯曲半径	动态/低温弯曲半径	重量	包装
Article no.	ID×OD mm×mm	Stat.r (mm)	Dyn.r (mm)	Weight (kg/m±10%)	PU (m/ring)
WY-PA6-V2-D-AD10.0 #	6.2×10.0	15	35	0.023	100
WY-PA6-V2-D-AD13.0 #	9×13.0	20	45	0.038	100
WY-PA6-V2-D-AD15.8 #	11.5×15.8	25	55	0.052	100
WY-PA6-V2-D-AD18.5 #	13.8×18.5	35	65	0.06	50
WY-PA6-V2-D-AD21.2 #	16.5×21.2	40	75	0.08	50
WY-PA6-V2-D-AD25.5 #	20.5×25.5	42	85	0.094	50
WY-PA6-V2-D-AD28.5 #	22.5×28.5	45	100	0.11	50
WY-PA6-V2-D-AD31.5 #	25.5×31.5	50	110	0.138	25
WY-PA6-V2-D-AD34.5 #	28.5×34.5	55	120	0.151	25
WY-PA6-V2-D-AD42.5 #	35.5×42.5	65	150	0.227	25
WY-PA6-V2-D-AD54.5 #	47.5×54.5	80	190	0.291	25

WY-PA6-V0 阻燃尼龙软管 Flame Retardant Nylon Tubing

- 材料: 尼龙6
- 防护等级: IP68
- 颜色: 深灰色(RAL 7037)、黑色(RAL 9005)、橙色(RAL 2009)
- 温度: -40°C~125°C短时可达150°C
- 阻燃等级: V0(UL94)、V0(GB/T2408).根据FMVSS 302要求, 自熄, A级
- 特性: 柔软有韧性, 耐摩擦, 抗扭曲, 高机械强度, 耐油、碱、弱酸等, 自熄灭性非常好, 不含卤素、碱、弱酸等, RoHS, 通过QC/T29106热老化3000h, 热时效240h
- 应用场合: 机床、机械制造、电气绝缘保护、地铁电力机车、空调制冷设备等

- Material: Polyamide 6
- Protection degree: IP68
- Color: Grey (RAL 7037), black (RAL 9005), orange (RAL 2009)
- Temperature range: Min-40 °C, max 125 °C, short-term 150 °C
- Flame retardant: V0(UL94)、V0(GB/T2408). according to FMVSS 302: self-extinguishing, type A
- Properties: Soft and tough, friction resistant, twist resistant, high mechanical strength, resistance to oil, alkali, weak acid, etc., self-extinguishing is very good, without halogen, alkali, weak acid etc, RoHS, Passed QC / T29106 heat aging 3000h, heat aging 240h
- Applications: Mechanical building, electric insulation protection, underground, electric vehicle and air-conditioner equipment etc

★ 订货编号: #=B(黑色)、G(深灰色)、OG(橙色)

Order number: #=B(Black)、G(Dark grey)、OG(Orange)

可做可剖开软管, 型号为: WY-PA6-V0/S-ADXX #

Note: Slit tubing is available, type: WY-PA6-V0/S-ADXX #



CE EN45545

C_{RU} US
UL证书号: E317026



规格型号 Article no.	内径×外径 ID×OD mm×mm	静态弯 曲半径 Stat.r (mm)	动态/低温 弯曲半径 Dyn.r (mm)	重量 Weight (kg/m±10%)	包装 (米/卷) PU (m/ring)
WY-PA6-V0-AD8.0 #	5.7×8.1	12	30	0.01	200
WY-PA6-V0-AD10.0 #	6.5×10.0	15	35	0.017	100
WY-PA6-V0-AD13.0 #	9.5×13.0	20	45	0.028	100
WY-PA6-V0-AD15.8 #	12×15.8	25	55	0.039	100
WY-PA6-V0-AD18.5 #	14.3×18.5	35	65	0.044	50
WY-PA6-V0-AD21.2 #	17×21.2	40	75	0.059	50
WY-PA6-V0-AD25.5 #	21×25.5	42	85	0.069	50
WY-PA6-V0-AD28.5 #	23×28.5	45	100	0.081	50
WY-PA6-V0-AD31.5 #	26×31.5	50	110	0.102	25
WY-PA6-V0-AD34.5 #	29×34.5	55	120	0.111	25
WY-PA6-V0-AD42.5 #	36×42.5	65	150	0.168	25
WY-PA6-V0-AD54.5 #	48×54.5	80	190	0.216	25

WY-PA6-V0-C 轻型阻燃尼龙软管 Light Flame-retardant Polyamide Tubing



- 材料: 尼龙6
- 防护等级: IP68
- 颜色: 深灰色(RAL 7037)、黑色(RAL 9005)、橙色(RAL 2009)
- 温度: -40°C~125°C短时可达150°C
- 阻燃等级: V0(UL94)、V0(GB/T2408).根据FMVSS 302要求, 自熄, A级
- 特性: 低强度, 性价比极高, 在满足最新汽车行业标准的同, 经济性极佳
- 应用场合: 适合于汽车线束, 电梯行业及需要快速穿线的场合

- Material: Polyamide 6
- Protection degree: IP68
- Color: Grey (RAL 7037), black (RAL 9005), orange (RAL 2009)
- Temperature range: Min-40 °C, max 125 °C, short-term 150 °C
- Flame retardant: V0(UL94)、V0(GB/T2408). according to FMVSS 302: self-extinguishing, type A
- Properties: Low strength, high cost performance, while meeting the latest automotive industry standards
- Applications: Machine building, chemical equipment

规格型号 Article no.	内径×外径 ID×OD mm×mm	静态弯 曲半径 Stat.r (mm)	动态/低温 弯曲半径 Dyn.r (mm)	包装 (米/卷) PU (m/ring)
WY-PA6-V0-C-AD10.0 #	6.7×10.0	15	35	100
WY-PA6-V0-C-AD13.0 #	9.7×13.0	20	45	100
WY-PA6-V0-C-AD15.8 #	12.2×15.8	25	55	100
WY-PA6-V0-C-AD18.5 #	14.5×18.5	35	65	50
WY-PA6-V0-C-AD21.2 #	17.3×21.2	40	75	50
WY-PA6-V0-C-AD25.5 #	21.3×25.5	42	85	50
WY-PA6-V0-C-AD28.5 #	23.3×28.5	45	100	50
WY-PA6-V0-C-AD31.5 #	26.2×31.5	50	110	25
WY-PA6-V0-C-AD34.5 #	29.3×34.5	55	120	25
WY-PA6-V0-C-AD42.5 #	36.3×42.5	65	150	25
WY-PA6-V0-C-AD54.5 #	48.3×54.5	80	190	25

★ 订货编号: #=B(黑色)、G(深灰色)、OG(橙色)

Order number: #=B(Black)、G(Dark grey)、OG(Orange)

可做可剖开软管, 型号为: WY-PA6/S-V0-C-ADXX #

Note: Slit tubing is available, type: WY-PA6/S-V0-C-ADXX #

WY-PA6-V0-D 重型阻燃尼龙软管 Heavy Duty Flame Retardant Nylon Tubing

- 材料: 尼龙6
- 防护等级: IP68
- 颜色: 深灰色(RAL 7037), 黑色(RAL 9005)
- 温度: -40°C~125°C短时达到150°C
- 阻燃等级: V0(UL94),根据FMVSS 302要求, 自熄, A级
- 特性: 柔软有韧性, 表面有光泽, 耐摩擦, 抗扭曲, 高机械强度碱、弱酸等, 黑色耐紫外线;自熄灭性非常好, 满足高安全性要求;不含卤素、磷、镉。通过RoHS测试,通过日本、法国、德国铁路认证
- 应用场合: 机械制造,电气绝缘保护;地铁,电力机车空调制冷设备等

- Material: Polyamide 6
- Protection degree: IP68
- Color: Grey (RAL 7037), black (RAL 9005)
- Temperature range: Min-40 °C, max125 °C, short-term 150 °C
- Flame-retardant: V0 (UL94), according to FMVSS 302: self-extinguishing, type A
- Properties: Flexible and excellent tenacity, glossy surface, anti-friction, wind resistant, high mechanical strength, resistant to oil, acid and solvents. Black tubings UV-resistant, self-extinguishing, high grade of safety, free of halogen, phosphor and cadmium, medium wall thickness, passed RoHS. We have got railway certificates of Japan, France and Germany.
- Applications: Mechanical building, electric insulation protection, underground, electric vehicle and air-conditioner equipment etc

- ★ 订货编号: #=B(黑色)、G(深灰色)
 Order number: #=B(Black)、G(Dark grey)
 可做可剖开软管,型号为: WY-PA6-V0-D/S-ADXX #
 Note: Slit tubing is available, type: WY-PA6-V0-D/S-ADXX #



规格型号 Article no.	内径×外径 ID×OD mm×mm	静态弯 曲半径 Stat.r (mm)	动态/低温 弯曲半径 Dyn.r (mm)	重量 Weight (kg/m±10%)	包装 (米/卷) PU (m/ring)
WY-PA6-D-V0-AD10.0 #	6.2×10.0	15	35	0.023	100
WY-PA6-V0-D-AD13.0 #	9×13.0	20	45	0.038	100
WY-PA6-V0-D-AD15.8 #	11.5×15.8	25	55	0.052	100
WY-PA6-V0-D-AD18.5 #	13.8×18.5	35	65	0.06	50
WY-PA6-V0-D-AD21.2 #	16.5×21.2	40	75	0.08	50
WY-PA6-V0-D-AD25.5 #	20.5×25.5	42	85	0.094	50
WY-PA6-V0-D-AD28.5 #	22.5×28.5	45	100	0.11	50
WY-PA6-V0-D-AD31.5 #	25.5×31.5	50	110	0.138	25
WY-PA6-V0-D-AD34.5 #	28.5×34.5	55	120	0.151	25
WY-PA6-V0-D-AD42.5 #	35.5×42.5	65	150	0.227	25
WY-PA6-V0-D-AD54.5 #	47.5×54.5	80	190	0.291	25

WY-HTPA 耐高温尼龙软管 High Temperature Resistant Nylon Tubing

- 材料: 耐高温尼龙
- 温度: -40°C~150°C,短时达到170°C
- 颜色: 黑色(RAL 9005) 橙色(RAL 2009)
- 阻燃等级: HB(UL94),根据FMVSS 302要求, 燃烧速度<100mm/min
- 特性: 柔软有韧性,中等壁厚,表面有光泽,抗扭曲,高的机械强度,耐油、碱、弱酸等,耐摩擦,黑色耐紫外线,不含卤素、磷、镉,通过RoHS测试
- 应用场合: 机床, 机械制造, 电气控制系统等

- Material: High temperature resistant Polyamide
- Color: Black (RAL 9005) orange(RAL 2009)
- Temperature range: Min-40 °C, max150 °C, short-term 170 °C
- Flame-retardant: HB (UL94), according to FMVSS 302: <100mm/min
- Properties: Flexible and excellent tenacity, medium wall thickness, glossy surface, wind resistant, high mechanical, resistant to oil, acid and solve3nts. anti-friction, black tubings are UV-resistant, free of halogen, phosphor and cadmium, passed RoHS.
- Applications: Machine tool, mechanical building, electric control system etc.

- ★ 订货编号: #=B(黑色)、OG(橙色)
 Order number: #=B(Black)、OG(Orange)
 可做可剖开软管,型号为: WY-HTPA/S-ADXX #
 Note: Slit tubing is available, type: WY-HTPA/S-ADXX #



规格型号 Article no.	内径×外径 ID×OD mm×mm	静态弯 曲半径 Stat.r (mm)	动态/低温 弯曲半径 Dyn.r (mm)	重量 Weight (kg/m±10%)	包装 (米/卷) PU (m/ring)
WY-HTPA-AD8.0 #	5.7×8.1	12	30	0.010	200
WY-HTPA-AD10.0 #	6.5×10.0	15	35	0.017	100
WY-HTPA-AD13.0 #	9.5×13.0	20	45	0.028	100
WY-HTPA-AD15.8 #	12×15.8	25	55	0.039	100
WY-HTPA-AD18.5 #	14.3×18.5	35	65	0.044	50
WY-HTPA-AD21.2 #	17×21.2	40	75	0.059	50
WY-HTPA-AD25.5 #	21×25.5	42	85	0.069	50
WY-HTPA-AD28.5 #	23×28.5	45	100	0.081	50
WY-HTPA-AD31.5 #	26×31.5	50	110	0.102	25
WY-HTPA-AD34.5 #	29×34.5	55	120	0.111	25
WY-HTPA-AD42.5 #	36×42.5	65	150	0.168	25
WY-HTPA-AD54.5 #	48×54.5	80	190	0.216	25

WY-PA12 尼龙12软管 Polyamide 12 Tubing

- 材料: 尼龙12
- 温度: -50°C~100°C短时达到150°C
- 颜色: 深灰色(RAL 7037),黑色(RAL 9005), 橙色 (RAL 2009)
- 阻燃等级: V2(UL94),根据FMVSS 302要求, 自熄, B级
- 特性: 柔软有韧性, 表面有光泽, 抗扭曲, 高机械强度, 耐油、碱、弱酸等, 耐摩擦, 特别好的耐紫外线能力; 自熄灭性好; 适合室外安装等
- 应用场合: 机床, 机械制造, 重型设备, 电地铁电力机车, 电力机车制造等



EN45545 CE 

规格型号	内径×外径	静态弯曲半径	动态/低温弯曲半径	重量	包装 (米/卷)
Article no.	ID×OD mm×mm	Stat.r (mm)	Dyn.r (mm)	Weight (kg/m±10%)	PU (m/ring)
WY-PA12-AD8.0 #	5.7×8.1	12	30	0.009	200
WY-PA12-AD10.0 #	6.5×10.0	15	35	0.016	100
WY-PA12-AD13.0 #	9.5×13.0	20	45	0.026	100
WY-PA12-AD15.8 #	12×15.8	25	55	0.036	100
WY-PA12-AD18.5 #	14.3×18.5	35	65	0.04	50
WY-PA12-AD21.2 #	17×21.2	40	75	0.054	50
WY-PA12-AD25.5 #	21×25.5	42	85	0.062	50
WY-PA12-AD28.5 #	23×28.5	45	100	0.074	50
WY-PA12-AD31.5 #	26×31.5	50	110	0.093	25
WY-PA12-AD35.5 #	29×34.5	55	120	0.1	25
WY-PA12-AD42.5 #	36×42.5	65	150	0.152	25
WY-PA12-AD54.5 #	48×54.5	80	190	0.195	25

- Material: Polyamide 12
- Color: Grey (RAL 7037), black (RAL 9005), orange (RAL 2009)
- Temperature range: Min-50 °C, max100 °C, short-term150 °C
- Flame-retardant: V2 (UL94), according to FMVSS 302: self-extinguishing, type B
- Properties: Flexible and excellent tenacity, glossy surface, wind resistant, high mechanical strength, resistant to oil, acid and solvents. anti-friction, excellent UV-resistant self-extinguishing, external installation, medium wall thickness free of halogen, phosphorus and cadmium, passed RoHS. We have got railway certificates of Japan, France and Germany.
- Applications: Mechanical building, heavy equipment, electric factory, underground, electric vehicle building etc.

- ★ 订货编号: #=B(黑色)、G(深灰色)、OG(橙色)
 Order number: #=B(Black)、G(Dark grey)、OG(Orange)
 可做剖开软管, 型号为: WY-PA12/S-ADXX #
 Note: Slit tubing is available, type: WY-PA12/S-ADXX #

WY-PA12-D 重型尼龙12软管 Heavy-Duty Nylon 12 Tubing

- 材料: 尼龙12
- 颜色: 深灰色(RAL 7037),黑色(RAL 9005)
- 温度: -50°C~100°C短时达到150°C
- 阻燃等级: V2(UL94), 根据FMVSS 302要求, 自熄, B级
- 特性: 柔软有韧性, 表面有光泽, 抗扭曲, 超高机械强度, 耐油、碱、弱酸等, 耐摩擦, 特别好的耐紫外线能力; 自熄灭性好; 适合室外安装等; 厚壁, 不含卤素、磷、铜, 通过RoHS测试, 通过日本、法国、德国铁路认证。
- 应用场合: 机械制造, 重型设备, 电厂, 地铁, 电力机车制造等。



EN45545 CE 

规格型号	内径×外径	静态弯曲半径	动态/低温弯曲半径	重量	包装 (米/卷)
Article no.	ID×OD mm×mm	Stat.r (mm)	Dyn.r (mm)	Weight (kg/m±10%)	PU (m/ring)
WY-PA12-D-AD10.0 #	6.2×10.0	15	35	0.021	100
WY-PA12-D-AD13.0 #	9×13.0	20	45	0.035	100
WY-PA12-D-AD15.8 #	11.5×15.8	25	55	0.047	50
WY-PA12-D-AD18.5 #	13.8×18.5	35	65	0.055	50
WY-PA12-D-AD21.2 #	16.5×21.2	40	75	0.073	50
WY-PA12-D-AD25.5 #	20.5×25.5	42	85	0.085	50
WY-PA12-D-AD28.5 #	22.5×28.5	45	100	0.099	50
WY-PA12-D-AD31.5 #	25.5×31.5	50	110	0.125	25
WY-PA12-D-AD34.5 #	28.5×34.5	55	120	0.136	25
WY-PA12-D-AD42.5 #	35.5×42.5	65	150	0.205	25
WY-PA12-D-AD54.5 #	47.5×54.5	80	190	0.263	25

- Material: Polyamide 12
- Color: Grey (RAL 7037), black (RAL 9005)
- Temperature range: Min-50 °C, max100 °C, short-term150 °C
- Flame-retardant: V2 (UL94), according to FMVSS 302: self-extinguishing, type B
- Properties: Flexible and excellent tenacity, glossy surface, wind resistant, excellent mechanical strength, resistant to oil, acid and solvents. anti-friction, excellent UV-resistant self-extinguishing, external installation, heavy tubing free of halogen, phosphorus and cadmium, passed RoHS. We have got railway certificates of Japan, France and Germany.
- Applications: Mechanical building, heavy equipment, electric factory, underground, electric vehicle building etc.

- ★ 订货编号: #=B(黑色)、G(深灰色)
 Order number: #=B(Black)、G(Dark grey)

WY-TPE 高柔性TPE软管 High Flexibility TPE Tubing

- 材料:TPE
- 颜色: 深灰色 (RAL 7037) 黑色 (RAL 9005)
- 温度:-40°C~125°C短时达到150°C
- 阻燃等级:V2(UL94),根据FMVSS 302 要求, 自熄B级
- 特性:极其柔软且有韧性, 中等壁厚, 表面有光泽, 高抗扭曲, 一般机械强度, 耐油、碱、弱酸等, 耐摩擦, 黑色耐紫外线, 不含卤素、磷、镉, 通过 RoHS测试。
- 应用场合: 机器人、机械手等反复弯曲的场合。

- Material: TPE
- Flame-retardant: V2(UL94)
- Color: Grey (RAL 7037), black (RAL 9005)
- Temperature range: Min-40 °C ,max125 °C ,short-term150 °C
- Characteristics: Extremely soft and tough, medium wall thickness, glossy surface, high resistance to distortion, general mechanical strength, oil resistance, alkali, weak acid resistance, friction resistance, black ultraviolet resistance, no halogen, phosphorus, cadmium, passed RoHS.
- Applications: Robots, manipulators and other repeated bending occasions.

★ 订货编号: #=B(黑色)、G(深灰色)
Order number: #=B(Black)、G(Dark grey)



规格型号 Article no.	内径×外径 ID×OD mm×mm	静态弯曲半径 Stat.r (mm)	动态/低温弯曲半径 Dyn.r (mm)	包装 (米/卷) PU (m/ring)
WY-TPE-AD10.0 #	6.5×10.0	15	35	100
WY-TPE-AD13.0 #	9.5×13.0	20	45	100
WY-TPE-AD15.8 #	12×15.8	25	55	100
WY-TPE-AD18.5 #	14.3×18.5	35	65	50
WY-TPE-AD21.2 #	17×21.2	40	75	50
WY-TPE-AD25.5 #	21×25.5	42	85	50
WY-TPE-AD28.5 #	23×28.5	50	100	50
WY-TPE-AD34.5 #	29×34.5	55	120	25
WY-TPE-AD42.5 #	36×42.5	90	150	25
WY-TPE-AD54.5 #	48×54.5	110	190	25

WYK-PA6 重载尼龙软管 Course Profile Polyamide Tubing

- 材料:尼龙6
- 颜色: 深灰色 (RAL 7037) 黑色 (RAL 9005)
- 温度:-40°C~115°C 短时达到150°C
- 阻燃等级:HB(UL94),根据FMVSS 302 要求, 燃烧速度 <100mm/min
- 特性:柔软有韧性, 中等壁厚, 表面有光泽, 抗扭曲, 高的抗冲击性能, 高机械强度, 较普通节距软管, 软管受力更均匀, 抗弯折能力更强。耐油、碱、弱酸等, 耐摩擦, 黑色耐紫外线, 不含卤素、磷、镉, 通过 RoHS测试。
- 应用场合: 机床, 机械制造, 电气控制系统等。
- 适配: WQGD、WQGDM软管接头。

- Material: Polyamide 6
- Flame-retardant: V2(UL94)
- Color: Grey (RAL 7037), black (RAL 9005)
- Temperature range: Min-40 °C ,max115 °C ,short-term150 °C
- Properties: Soft and tough, medium wall thickness, glossy surface, anti-twist, high impact resistance, high mechanical strength, more uniform force than ordinary pitch hose, hose bending ability is stronger. Oil resistance, alkali resistance, weak acid resistance, friction resistance, black resistance to ultraviolet radiation, no halogen, phosphorus, cadmium, through the RoHS test.
- Applications: Mechanical building, heavy equipment, electric factory, underground, electric hicle building etc.
- Fit with: WQGD, WQGDM Tubing connector.



规格型号 Article no.	内径×外径 ID×OD mm×mm	静态弯曲半径 Stat.r (mm)	动态/低温弯曲半径 Dyn.r (mm)	包装 (米/卷) PU (m/ring)
WYK-PA6-AD21.2 #	15.7×21.2	40	75	50
WYK-PA6-AD28.5 #	22×28.5	50	100	50
WYK-PA6-AD34.5 #	28×34.5	55	120	25
WYK-PA6-AD42.5 #	36×42.5	90	150	25
WYK-PA6-AD54.5 #	47.2×54.5	110	190	25

★ 订货编号: #=B(黑色)、G(深灰色)
Order number: #=B(Black)、G(Dark grey)

WYK-PA6-D 增强型重载尼龙软管 Heavy-duty Coarse Profile heavy Polyamide Tubing

- 材料: 尼龙6
- 颜色: 黑色 (RAL 9005)
- 温度: -40°C~115°C 短时达到150°C
- 阻燃等级: HB(UL94),根据FMVSS 302 要求, 燃烧速度<100mm/min
- 特性: 柔软有韧性,中等壁厚,表面有光泽,抗扭曲,高抗冲击性能,超高的机械强度,较普通节距软管,软管受力更均匀,抗弯折能力更强。耐油、碱、弱酸等,耐摩擦,黑色耐紫外线,不含卤素、磷、镉,通过 RoHS测试。
- 应用场合: 机床,机械制造,电气控制系统等
- 适配: WQGD、WQGDM软管接头

- Material: Polyamide 6
Color: Black (RAL 9005)
- Temperature range: Min-40 C ,max115 C ,short-term150 C
- Flame-retardant: V2(UL94)
- Properties: Soft and tough, medium wall thickness, glossy surface, anti-twist, high impact resistance, super high mechanical strength, more uniform force than ordinary pitch hose, hose bending ability is stronger. Oil resistance, alkali resistance, weak acid resistance, friction resistance, black resistance to ultraviolet radiation, no halogen, phosphorus, cadmium, through the RoHS test
- Applications: Mechanical building,heavy equipment,electric factory,underground,electric vehicle building etc
- Fit with: WQGD, WQGDM Tubing connector



黑色编号 Article no. Black	内径×外径 ID×OD mm×mm	静态弯曲半径 Stat.r (mm)	动态/低温 弯曲半径 Dyn.r (mm)	包装 (米/卷) PU (m/ring)
WYK-PA6-D-AD21.2B	15.1×21.2	40	75	50
WYK-PA6-D-AD28.5B	21.5×28.5	50	100	50
WYK-PA6-D-AD34.5B	27.5×34.5	55	120	25
WYK-PA6-D-AD42.5B	35.5×42.5	90	150	25
WYK-PA6-D-AD54.5B	46.5×54.5	110	190	25

WYK-PA6-V2 阻燃重载尼龙软管 Flame Retardant Heavy-duty Nylon Tubing

- 材料: 尼龙6
- 防护等级: IP68
- 颜色: 深灰色 (RAL 7037),黑色 (RAL 9005)
- 温度: -40°C~115°C短时达到150°C
- 阻燃等级: V2(UL94), 根据FMVSS 302要求, 自熄, B级
- 特性:柔软有韧性,表面有光泽,抗扭曲,高的抗冲击性能,高机械强度,较普通节距软管,软管受力更均匀,抗弯折能力更强。耐油、碱、弱酸等,耐摩擦,黑色耐紫外线;自熄灭性好;中等壁厚,不含卤素、磷、镉,通过RoHS测试。
- 应用场合: 机床,机械制造,电气绝缘保护,地铁,电力机车,空调制冷设备等
- 适配: WQGD、WQGDM软管接头

- Material: Polyamide 6
- Protection degree:IP68
- Color: Grey (RAL 7037), black (RAL 9005)
- Temperature range: Min-40 C ,max115 C ,short-term150 C
- Flame-retardant: V2 (UL94), according to FMVSS 302: self-extinguishing,type B
- Characteristics: Soft and tough, glossy surface, anti-twist, high impact resistance, high mechanical strength, more uniform force than ordinary pitch hose, hose bending resistance is stronger. Oil resistance, alkali resistance, weak acid resistance, friction resistance, black ultraviolet resistance, good self-extinguishing, medium wall thickness, no halogen, phosphorus, cadmium, through RoHS test
- Applications: Machine tool, mechanical building, electric insulation protection, underground,electric vehicle and air-conditioner equipment etc
- Fit with: WQGD, WQGDM Tubing connector



规格型号 Article no.	内径×外径 ID×OD mm×mm	静态弯曲半径 Stat.r (mm)	动态/低温 弯曲半径 Dyn.r (mm)	包装 (米/卷) PU (m/ring)
WYK-PA6-AD21.2 #	15.7×21.2	40	75	50
WYK-PA6-AD28.5 #	22×28.5	50	100	50
WYK-PA6-AD34.5 #	28×34.5	55	120	25
WYK-PA6-AD42.5 #	36×42.5	90	150	25
WYK-PA6-AD54.5 #	47.2×54.5	110	190	25

★ 订货编号: #-B(黑色)、G(深灰色)
Order number : #-B(Black)、G (Dark grey)

WYK-PA6-V2-D 阻燃增强型重载尼龙软管 Flame-Retardant Reinforced Heavy-duty Nylon Tubing

- 材料: 尼龙6
- 颜色: 黑色(RAL 9005)
- 温度: -40°C~115°C短时达到150°C
- 防护等级: IP68
- 阻燃等级: V2(UL94), 根据FMVSS 302要求, 自熄, B级
- 特性: 柔软有韧性, 表面有光泽, 抗扭曲, 高的抗冲击性能, 超高机械强度, 较普通节距软管, 软管受力更均匀, 抗弯折能力更强。耐油、碱、弱酸等, 耐摩擦, 黑色耐紫外线; 自熄灭性好; 中等壁厚, 不含卤素、磷、镉, 通过RoHS测试。
- 应用场合: 机床, 机械制造, 电气绝缘保护, 地铁, 电力机车, 空调制冷设备等。
- 适配: WQGD、WQGDM软管接头。

- Material: Polyamide 6
- Color: black (RAL 9005)
- Temperature range: Min-40 °C, Max115 °C, Short-term150 °C
- Flame-retardant: V2 (UL94), according to FMVSS 302: self-extinguishing, Type B
- Protection degree: IP68
- Properties: Soft and tough, glossy surface, anti-twist, high impact resistance, super high mechanical strength, more uniform force than ordinary pitch hose, hose bending resistance is stronger. Oil resistance, alkali resistance, weak acid resistance, friction resistance, black ultraviolet resistance, good self-extinguishing, medium wall thickness, no halogen, phosphorus, cadmium, through RoHS test.
- Applications: Machine tool, mechanical building, electric insulation protection, underground, electric vehicle and air-conditioner equipment etc.
- Fit with: WQGD, WQGDM Tubing connector.



黑色编号 Article no. Black	内径×外径 ID×OD mm×mm	静态弯 曲半径 Stat.r (mm)	动态/低温 弯曲半径 Dyn.r (mm)	包装 (米/卷) PU (m/ring)
WYK-PA6-V2-D-AD21.2B	15.1×21.2	40	75	50
WYK-PA6-V2-D-AD28.5B	21.5×28.5	50	100	50
WYK-PA6-V2-D-AD34.5B	27.5×34.5	55	120	25
WYK-PA6-V2-D-AD42.5B	35.5×42.5	90	150	25
WYK-PA6-V2-D-AD54.5B	46.5×54.5	110	190	25

WYK-PA6-V0 阻燃重载尼龙软管 Flame Retardant Heavy-duty Nylon Tubing

- 材料: 尼龙6
- 防护等级: IP68
- 颜色: 深灰色(RAL 7037), 黑色(RAL 9005)
- 温度: -40°C~125°C 短时达150°C
- 阻燃等级: V0(UL94)、V0(GB/T2408), 根据FMVSS 302要求, 自熄, A级,
- 特性: 柔软有韧性, 表面有光泽, 耐摩擦, 抗扭曲, 高的抗冲击性能, 高机械强度, 较普通节距软管, 软管受力更均匀, 抗弯折能力更强。耐油、柔软有韧性, 表面有光泽, 耐摩擦, 抗扭曲, 高的机械强度, 耐油、磷、镉。中等壁厚, 通过RoHS测试, 通过日本、法国、德国铁路认证。
- 应用场合: 机械制造, 电气绝缘保护; 地铁, 电力机车空调制冷设备等。
- 适配: WQGD、WQGDM软管接头。

- Material: Polyamide 6
- Protection degree: IP68
- Color: Grey (RAL 7037), black (RAL 9005)
- Temperature range: Min-40 °C, max125 °C, short-term150 °C
- Flame-retardant: V0(UL94), self-extinguishing, A level, according to FMVSS 302 requirements, according to GB/T2408 standard, flame retardant to V0 level
- Characteristics: Soft and tough, glossy surface, friction resistance, distortion resistance, high impact resistance, high mechanical strength, more uniform force than ordinary pitch hose, hose bending resistance is stronger. Oil resistance, softness and toughness, glossy surface, friction resistance, distortion resistance, high mechanical strength, oil resistance, phosphorus, cadmium resistance. Medium wall thickness, through RoHS test, through Japan, France, Germany railway certification
- Application occasions: Machinery manufacturing, electrical insulation protection, subway, electric locomotive air conditioning refrigeration equipment, etc
- Fit with: WQGD, WQGDM Tubing connector



规格型号 Article no.	内径×外径 ID×OD mm×mm	静态弯 曲半径 Stat.r (mm)	动态/低温 弯曲半径 Dyn.r (mm)	包装 (米/卷) PU (m/ring)
WYK-PA6-V0-AD21.2 #	15.7×21.2	40	75	50
WYK-PA6-V0-AD28.5 #	22×28.5	50	100	50
WYK-PA6-V0-AD34.5 #	28×34.5	55	120	25
WYK-PA6-V0-AD42.5 #	36×42.5	90	150	25
WYK-PA6-V0-AD54.5 #	47.2×54.5	110	190	25

★ 订货编号: #=B(黑色)、G(深灰色)
Order number: #=B(Black)、G(Dark grey)

WYK-PA6-V0-D 阻燃增强型重载尼龙软管 Flame-Retardant Reinforced Heavy-Duty Nylon Tubing

- 材料:尼龙6
- 颜色:黑色 (RAL 9005)
- 温度:-40°C~125°C 短时达到150°C
- 阻燃等级:V0(UL94),根据FMVSS 302 要求,自熄,A级,通过GB/T2408标准,阻燃达到V0等级
- 特性:柔软有韧性,表面有光泽,抗扭曲,高的抗冲击力性能,超高的机械强度,较普通节距软管,软管受力更均匀,抗弯折能力更强。耐油、碱、弱酸等,耐摩擦,特别好的耐紫外线能力;自熄灭性好;适合室外安装等;中等壁厚,不含卤素、磷、镉,通过RoHS测试,通过日本、法国、德国铁路认证
- 应用场合:机械制造,重型设备,电厂,地铁,电力机车制造等。
- 适配:WQGD、WQGDM软管接头

- Material: Polyamide 6
- Color: black (RAL 9005)
- Temperature range: Min-40 C ,max125 C ,short-term150 C
- Inflammability level: V0(UL94), self-extinguishing, level B according to FMVSS 302 requirements, through GB/T2480 standard flame retardant to V0 level
- Characteristics: Soft and tough, glossy surface, anti-twist, high impact resistance, super high mechanical strength, more uniform force than ordinary pitch hose, hose bending resistance is stronger. Oil resistance, alkali resistance, weak acid resistance, friction resistance, excellent ultraviolet resistance; good self-extinguishing; suitable for outdoor installation; medium wall thickness, without halogen, phosphorus, cadmium, through RoHS test, through Japan, France, Germany railway certification
- Applications: Mechanical building,heavy equipment,electric factory,underground, electric vehicle building etc
- Fit with: WQGD, WQGDM Tubing connector



黑色编号 Article no. Black	内径×外径 ID×OD mm×mm	静态弯 曲半径 Stat.r (mm)	动态/低温 弯曲半径 Dyn.r (mm)	包装 (米/卷) PU (m/ring)
WYK-PA6-V0-D-AD21.2B	15.1×21.2	40	75	50
WYK-PA6-V0-D-AD28.5B	21.5×28.5	50	100	50
WYK-PA6-V0-D-AD34.5B	27.5×34.5	55	120	25
WYK-PA6-V0-D-AD42.5B	35.5×42.5	90	150	25
WYK-PA6-V0-D-AD54.5B	46.5×54.5	110	190	25

WYK-PA12 重载PA12软管 Course Profile PA12 Tubing

- 材料:尼龙12
- 颜色:深灰色 (RAL 7037) 黑色 (RAL 9005)
- 温度:-50°C~100°C 短时达到150°C
- 阻燃等级:V2(UL94),根据FMVSS 302 要求,自熄,B级
- 特性:柔软有韧性,表面有光泽,抗扭曲,高的抗冲击力性能,高机械强度,较普通节距软管,软管受力更均匀,抗弯折能力更强。耐油、碱、弱酸等,耐摩擦,特别好的耐紫外线能力;自熄灭性好;适合室外安装等;中等壁厚,不含卤素、磷、镉,通过RoHS测试,通过日本、法国、德国铁路认证
- 应用场合:机械制造,重型设备,电厂,地铁,电力机车制造等。
- 适配:WQGD、WQGDM软管接头

- Material: Polyamide 12
- Color: Grey (RAL 7037), black (RAL 9005)
- Temperature range: Min-50 C ,max100 C ,short-term150 C
- Inflammability level: V2(UL94), self-extinguishing, level B according to FMVSS 302 requirements
- Characteristics: Soft and tough, glossy surface, anti-twist, high impact resistance, high mechanical strength, more uniform force than ordinary pitch hose, hose bending resistance is stronger. Oil resistance, alkali resistance, weak acid resistance, friction resistance, excellent ultraviolet resistance; good self-extinguishing; suitable for outdoor installation; medium wall thickness, without halogen, phosphorus, cadmium, through RoHS test, through Japan, France, Germany railway certification
- Applications: Mechanical building,heavy equipment,electric factory,underground,electric vehicle building etc
- Fit with: WQGD, WQGDM Tubing connector



规格型号 Article no.	内径×外径 ID×OD mm×mm	静态弯 曲半径 Stat.r (mm)	动态/低温 弯曲半径 Dyn.r (mm)	包装 (米/卷) PU (m/ring)
WYK-PA12-AD21.2 #	15.7×21.2	40	75	50
WYK-PA12-AD28.5 #	22.0×28.5	50	100	50
WYK-PA12-AD34.5 #	28.0×34.5	55	120	25
WYK-PA12-AD42.5 #	36.0×42.5	90	150	25
WYK-PA12-AD54.5 #	47.2×54.5	110	190	25

★ 订货编号: #=B(黑色)、G(深灰色)
Order number: #=B(Black)、G(Dark grey)

- 材料: 尼龙12
- 颜色: 黑色 (RAL 9005)
- 温度: -50°C~100°C 短时达到150°C
- 阻燃等级: V2(UL94),根据FMVSS 302 要求, 自熄, B级
- 特性: 柔软有韧性,表面有光泽, 抗扭曲, 高的抗冲击力性能, 超高机械强度, 较普通节距软管, 软管受力更均匀, 抗弯折能力更强。耐油、碱、弱酸等, 耐摩擦, 特别好的耐紫外线能力; 自熄灭性好; 适合室外安装等; 中等壁厚, 不含卤素、磷、镉, 通过RoHS测试, 通过日本、法国、德国铁路认证
- 应用场合: 机械制造, 重型设备, 电厂, 地铁, 电力机车制造等
- 适配: WQGD、WQGDM软管接头

- Material: Polyamide 12
- Color: Black (RAL 9005)
- Temperature range: Min-50 °C ,max100 °C ,short-term150 °C
- Inflammability level: V2(UL94), self-extinguishing, level B according to FMVSS 302 requirements
- Characteristics: Soft and tough, glossy surface, anti-twist, high impact resistance, super high mechanical strength, more uniform force than ordinary pitch hose, hose bending resistance is stronger. Oil resistance, alkali resistance, weak acid resistance,friction resistance, excellent ultraviolet resistance; good self-extinguishing; suitable for outdoor installation; medium wall thickness, without halogen, phosphorus, cadmium, through RoHS test, through Japan, France, Germany railway certification
- Applications: Mechanical building,heavy equipment,electric factory,underground, electric vehicle building etc
- Fit with: WQGD, WQGDM Tubing connector



黑色编号 Article no. Black	内径×外径 ID×OD mm×mm	静态弯 曲半径 Stat.r (mm)	动态/低温 弯曲半径 Dyn.r (mm)	包装 (米/卷) PU (m/ring)
WYK-PA12-D-AD21.2B	15.1×21.2	40	75	50
WYK-PA12-D-AD28.5B	21.5×28.5	50	100	50
WYK-PA12-D-AD34.5B	27.5×34.5	55	120	25
WYK-PA12-D-AD42.5B	35.5×42.5	90	150	25
WYK-PA12-D-AD54.5B	46.5×54.5	110	190	25

HG-PA 编织管 Flame Retardant Braided Conduit

- 材料: PET单丝
- 温度: ~50°C~150°C
- 熔点: 240°C±10°C
- 阻燃等级: V0(UL94)
- 特性: 不含卤素, 阻燃, 能自熄
- 应用场合: 为电缆性的捆扎提供由高柔性中空PET编织而成的导管能抗高温, 应用于工业航空领域及车辆和铁路的构造

- Material: PET monofilaments
- Temperature: ~50 °C~150 °C
- Melting Point: 240 °C±10 °C
- Flame-retardant: V0(UL94)
- Properties: Halogen-free, flame-retardant, self-extinguishing
- Application: For cable binding, provide high flexible and hollow PET woven catheters to resist high temperatures and apply to industrial aviation and the construction of vehicles and railways

★ 订货编号: #=B(黑色)、G(深灰色)
Order number: #=B(Black)、G(Dark grey)



规格型号 Article no.	应用范围 Range of Application φ mm	重量 Weight (kg/m±10%)	包装(米/卷) PU (m/ring)
HG-PA NW5 #	3-9	0.0062	200
HG-PA NW10 #	7-16	0.0105	200
HG-PA NW14 #	10-25	0.0125	100
HG-PA NW20 #	14-30	0.0172	100
HG-PA NW25 #	18-35	0.0225	100
HG-PA NW30 #	20-50	0.037	100
HG-PA NW40 #	30-55	0.041	50
HG-PA NW50 #	40-80	0.0458	50

HG-CU 金属编织管 Wire Braiding

- 材料: 镀锡铜丝
- 温度: -75°C~150°C
- 结构: 由不同编织方向双重交叉圆形编织金属丝构成的编织管
- 性能: 根据编织管的结构, 在某个部分轴向推在一起; 很容易拉入电缆; 编织管通过拉伸会变紧; 防热金属屑
- 应用场合: 高灵活性中空金属编织管, 可作为屏蔽和防护编织管; 特别适用于屏蔽场合

- Material: Tinned copper wire
- Temperature range: Min-75 °C, max150 °C
- Structure: Braiding consisting of round braided wires with double crossed looping at the different braiding angles
- Properties: Axially pushed together, in a certain proportion, depending upon the construction of the braiding; easy pulling in of cables; the braiding become protection from hot swarfs
- Applications: High flexibility hollow metal braided wire, can be used as shielding and protective braided pipe. Especially suitable for shielding occasions



规格型号 Article no.	金属线 Wiring	应用范围 Range of Application φ mm	重量 Weight (kg/m±10%)	包装(米/卷) PU (m/ring)
HG-CU NW6	24×8×0.12	3.2-9.5	0.07	200
HG-CU NW10	48×6×0.12	4.7-15.9	0.093	200
HG-CU NW15	48×12×0.12	10-23	0.109	100
HG-CU NW20	48×15×0.15	12-31.5	0.196	100
HG-CU NW25	48×20×0.15	15-34	0.336	100
HG-CU NW35	48×28×0.15	19-38	0.37	50

HG-PA/S 自卷式纺织编织管 Openable Conduit With Braiding

- 材料: 聚酯单丝及复丝
- 温度: -50°C~150°C
- 熔点: 240°C±10°C
- 阻燃等级: V0(UL94)
- 其他性能: 不含卤素、通过RoHS测试
- 应用场合: 本产品安装方便, 适用于各类电缆的耐磨保护, 能有效避免由振动造成的摩擦破损

- Material: Filament
- Temperature Range: Min-50 C Max150 C
- Melting point: 240 C±10 C
- Flame-retardant: V0(UL94)
- Properties: Halogen-free, passed RoHS
- Applications: Easier installation, abrasion resistance for all kinds of cable to avoid friction or damage caused by vibration

★ 订货编号: #=B(黑色)、G(深灰色)
Order number: #=B(Black)、G(Dark grey)



规格型号 Article no.	应用范围 Range of Application Φmm	包装(米/卷) PU (m/ring)
HG- PA/S NW5 #	3-7	100
HG- PA/S NW8 #	6-10	100
HG- PA/S NW13 #	10-16	50
HG- PA/S NW19 #	16-22	25
HG- PA/S NW25 #	21-29	25
HG- PA/S NW29 #	25-33	25
HG- PA/S NW32 #	27-37	25
HG- PA/S NW38 #	33-43	25
HG- PA/S NW50 #	42-58	25

HG-SSW 魔术贴屏蔽套管 Velcro shielding sleeve

- 材料: 聚酯; 魔术贴材质: 尼龙; 屏蔽层材质: 镀锡铜丝
- 温度: -50°C~150°C
- 熔点: 240°C±10°C
- 阻燃等级: V0(UL94)
- 结构: 采用镀锡铜丝钩织网、阻燃布和魔术贴复合而成
- 性能: 本产品具有屏蔽高灵敏的电磁干扰、降噪、防尘、漏电保护的作用
- 应用场合: 产品广泛应用于轨道客车、高铁、汽车、航空航天、船舶、工业机械、医疗器械、电子电器等

- Material: Polyester; Velcro material: Nylon; Shielding layer material: Tinned copper wire
- Temperature range: -50 C~150 C
- Melting point: 240 C±10 C
- Flame retardant: V0 (UL94)
- Structure: Compounded with tinned copper wire mesh, flame retardant cloth and Velcro
- Performance: This product has the function of shielding highly sensitive electromagnetic interference, noise reduction, dust prevention and leakage protection
- Application: The products are widely used in rail passenger cars, high-speed rail, automobiles, aerospace, ships, industrial machinery, medical equipment, electronic appliances, etc



规格型号 Article no.	应用范围 Range of Application Φmm	包装(米/卷) PU (m/ring)
HG-SSW NW16 #	10-16	50
HG-SSW NW20 #	17-20	50
HG-SSW NW30 #	21-30	50
HG-SSW NW50 #	31-50	50

★ 订货编号: #=B(黑色)、G(深灰色)
Order number: #=B(Black)、G(Dark grey)

WQG1 快速软管接头 Quick Screw Connector



- 材料: 尼龙
- 阻燃等级: V2(UL94)
- 颜色: 深灰色(RAL 7037)、黑色(RAL 9005)
- 温度: -40°C~100°C, 短时可达120°C
- 防护等级: IP66、使用合适的密封圈(O-ring/FR)
(安装规范参考P16页)
- 性能: 自熄灭性好, 不含卤素、磷、镉, RoHS
- 适配: 除重载型WYK软管外的所有软管

- Material: Polyamide
- Flame-retardant: V2(UL94)
- Color: Grey (RAL 7037), black (RAL 9005)
- Temperature range: Min-40°C max100°C, short-term120°C
- Protection degree: IP66、 Use appropriate sealing rings(O-ring/FR)
(Refer to page P16 for installation specifications)
- Performance: Self-extinguishing, free of halogen, phosphor and cadmium, RoHS
- Fit with: All tubing except overload type WYK tubing

WQG1-M 公制螺纹 Metric Thread

规格型号 Article no.	螺纹规格 Thread dimension	适配软管AD Fits to tubing size	螺纹长度C Thread length	孔径 ØI mm	外径 ØB mm	长度D Total length mm	扳手尺寸 SW wrench size	包装单位 Packet units
WQG1-M10 #/AD10.0	M10×1.0	AD10.0	12	6	17	35	15.5	50
WQG1-M12 #/AD10.0	M12×1.5	AD10.0	12	7	17	35	15.5	50
WQG1-M12 #/AD13.0	M12×1.5	AD13.0	12	7	20	37	18	50
WQG1-M16 #/AD13.0	M16×1.5	AD13.0	12	10	20	37	18	50
WQG1-M16 #/AD15.8	M16×1.5	AD15.8	12	11.5	23	39.5	21	50
WQG1-M18 #/AD15.8	M18×1.5	AD15.8	12	12	23	39.5	21	50
WQG1-M20 #/AD15.8	M20×1.5	AD15.8	12	12	23	39.5	21	50
WQG1-M20 #/AD18.5	M20×1.5	AD18.5	13	14.5	26	42	24	50
WQG1-M20 #/AD21.2	M20×1.5	AD21.2	13	15.5	29.5	45	27	50
WQG1-M22 #/AD21.2	M22×1.5	AD21.2	13	17	29.5	45	27	50
WQG1-M24 #/AD21.2	M24×1.5	AD21.2	13	17	29.5	45	27	50
WQG1-M25 #/AD21.2	M25×1.5	AD21.2	13	17	29.5	45	27	50
WQG1-M25 #/AD25.5	M25×1.5	AD25.5	13	20.5	34	46.5	31	25
WQG1-M25 #/AD28.5	M25×1.5	AD28.5	13	20.5	37	47	34	25
WQG1-M27 #/AD28.5	M27×2.0	AD28.5	13	22.5	37	47	34	25
WQG1-M30 #/AD28.5	M30×2.0	AD28.5	13	23.5	37	47	34	25
WQG1-M32 #/AD28.5	M32×1.5	AD28.5	13	23.5	37	47	34	25
WQG1-M32 #/AD31.5	M32×1.5	AD31.5	15	26	41	51	37	25
WQG1-M32 #/AD34.5	M32×1.5	AD34.5	15	26	44	51	40	25
WQG1-M33 #/AD34.5	M33×2.0	AD34.5	15	26	44	51	40	25
WQG1-M36 #/AD34.5	M36×2.0	AD34.5	15	30	44	51	40	25
WQG1-M40 #/AD34.5	M40×1.5	AD34.5	15	28.5	44	51	40	25
WQG1-M40 #/AD42.5	M40×1.5	AD42.5	15	33	52	54	50	10
WQG1-M42 #/AD42.5	M42×2.0	AD42.5	15	35	52	54	50	10
WQG1-M48 #/AD42.5	M48×2.0	AD42.5	15	36.5	52	54	50	10
WQG1-M50 #/AD42.5	M50×1.5	AD42.5	15	36.5	52	54	50	10
WQG1-M50 #/AD54.5	M50×1.5	AD54.5	16	43	64	55	60	5
WQG1-M56 #/AD54.5	M56×2.0	AD54.5	16	48	64	55	60	5
WQG1-M60 #/AD54.5	M60×2.0	AD54.5	16	48	64	55	60	5
WQG1-M63 #/AD54.5	M63×1.5	AD54.5	16	48	64	55	60	5
WQG1-M64 #/AD54.5	M64×2.0	AD54.5	16	48	64	55	60	5

★ 订货编号: #=B(黑色)、G(深灰色)

Order number: #=B(Black)、G(Dark grey)

WQG1 快速软管接头 Quick Screw Connector

- 材料: 尼龙
- 颜色: 深灰色(RAL 7037)、黑色(RAL 9005)
- 温度: -40°C~100°C, 短时可达120°C
- 防护等级: IP66、使用合适的密封圈(O-ring/FR)
(安装规范参考P16页)
- 阻燃等级: V2(UL94)
- 性能: 自熄灭性好, 不含卤素、磷、镉, RoHS
- 适配: 除重载型WYK软管外的所有软管



- Material: Polyamide
- Color: Grey (RAL 7037), black (RAL 9005)
- Temperature range: Min-40°C max100°C, short-term120°C
- Protection degree: IP66、 Use appropriate sealing rings(O-rintg/FR)
(Refer to page P16 for installation specifications)
- Flame-retardant: V2(UL94)
- Performance: Self-extinguishing, free of halogen, phosphor and cadmium, RoHS
- Fit with: All tubing except overload type WYK tubing

WQG1-P 德国PG制螺纹 German PG Thread

规格型号 Article no.	螺纹规格 Thread dimension	适配软管AD Fits to tubing size	螺纹外径 Thread OD	螺纹长度C Thread length	孔径 φ I mm	外径 φ B mm	长度D Total length mm	扳手尺寸 SW wrench size	包装单位 Packet units
WQG1-P07 #/AD10.0	PG7	AD10.0	12.5	12	7	17	35	15.5	50
WQG1-P09 #/AD13.0	PG9	AD13.0	15.2	12	10	20	37	18	50
WQG1-P11 #/AD15.8	PG11	AD15.8	18.6	12	12	23	39.5	21	50
WQG1-P13.5 #/AD18.5	PG13.5	AD18.5	20.4	13	14.5	26	42	24	50
WQG1-P13.5 #/AD21.2	PG13.5	AD21.2	20.4	13	15.5	29.5	45	27	50
WQG1-P16 #/AD21.2	PG16	AD21.2	22.5	13	17	29.5	45	27	50
WQG1-P21 #/AD25.5	PG21	AD25.5	28.3	13	23	34	46.5	31	25
WQG1-P21 #/AD28.5	PG21	AD28.5	28.3	13	23.5	37	47	34	25
WQG1-P29 #/AD31.5	PG29	AD31.5	37	15	26	41	51	37	25
WQG1-P29 #/AD34.5	PG29	AD34.5	37	15	30	44	51	40	25
WQG1-P36 #AD42.5	PG36	AD42.5	47	15	36.5	52	54	50	10
WQG1-P48 #/AD54.5	PG48	AD54.5	59.3	16	48	64	55	60	5

WQG1-G G制管螺纹 GThread

规格型号 Article no.	螺纹规格 Thread dimension	适配软管AD Fits to tubing size	螺纹长度C Thread length	孔径 φ I mm	外径 φ B mm	长度D Total length mm	扳手尺寸 SW wrench size	包装单位 Packet units
WQG1-G1/4 #/AD10.0	G1/4"	AD10.0	12	7	17	35	15.5	50
WQG1-G3/8 #/AD13.0	G3/8"	AD13.0	12	10	20	37	18	50
WQG1-G3/8 #/AD15.8	G3/8"	AD15.8	12	12	23	39.5	21	50
WQG1-G1/2 #/AD15.8	G1/2"	AD15.8	12	12.5	23	39.5	24	50
WQG1-G1/2 #/AD21.2	G1/2"	AD21.2	13	15	29.5	45	27	50
WQG1-G3/4 #/AD25.5	G3/4"	AD25.5	13	21	34	46.5	31	25
WQG1-G3/4 #/AD28.5	G3/4"	AD28.5	13	20.5	37	47	34	25
WQG1-G1 #/AD31.5	G1"	AD31.5	15	26	41	51	37	25
WQG1-G1 #/AD34.5	G1"	AD34.5	15	25.5	44	51	40	25
WQG1-G1 1/4 #/AD42.5	G1 1/4"	AD42.5	15	35	52	54	50	10
WQG1-G1 1/2 #/AD54.5	G1 1/2"	AD54.5	16	39	64	55	60	5
WQG1-G2 #/AD54.5	G2"	AD54.5	16	48	64	55	60	5

★ 订货编号: #=B(黑色)、G(深灰色) Order number : #=B(Black)、G(Dark grey)

同时可提供NPT制螺纹Remark: we can provide products with NPT thread also

WQG 快速软管接头 Quick Screw Connector

- 材料: 尼龙
- 颜色: 深灰色(RAL 7037),黑色(RAL 9005)
- 温度: -40°C~100°C, 短时达到120°C
- 防护等级: IP68, 使用合适的密封圈(O-ring/FR)
- 阻燃等级: V2(UL94) (安装规范参考P16页)
- 性能: 自熄灭性好, 不含卤素、磷、镉,通过RoHS测试
- 适配: 除重载型WYK软管外的所有软管



CE C RU US
UL证书号: E317026

- Material: Polyamide
- Color: Grey (RAL 7037), black (RAL 9005)
- Temperature range: Min-40°C, Max100°C,Short-term120°C
- Flame-retardant: V2(UL94) (Refer to page P16 for installation specifications)
- Protection degree: IP68 Use appropriate sealing rings (O-ring/FR)
- Performance: Self-extinguishing, free of halogen,phosphor and cadmium, passed RoHS
- Fit with: All tubing except overload type WYK tubing

WQG-M 公制螺纹 Metric Thread

规格型号 Article no.	螺纹规格 Thread dimension	适配软管AD Fits to tubing size	螺纹长度C Thread length	孔径 φ I mm	外径 φ B mm	长度D Total length mm	扳手尺寸 SW wrench size	包装单位 Packet units
WQG-M10 #/AD10.0	M10×1.0	AD10.0	12	6	17	35	15.5	50
WQG-M12 #/AD10.0	M12×1.5	AD10.0	12	7	17	35	15.5	50
WQG-M12 #/AD13.0	M12×1.5	AD13.0	12	7	20	37	18	50
WQG-M16 #/AD13.0	M16×1.5	AD13.0	12	10	20	37	18	50
WQG-M16 #/AD15.8	M16×1.5	AD15.8	12	11.5	23	39.5	21	50
WQG-M18 #/AD15.8	M18×1.5	AD15.8	12	12	23	39.5	21	50
WQG-M20 #/AD15.8	M20×1.5	AD15.8	12	12	23	39.5	21	50
WQG-M20 #/AD18.5	M20×1.5	AD18.5	13	14.5	26	42	24	50
WQG-M20 #/AD21.2	M20×1.5	AD21.2	13	15.5	29.5	45	27	50
WQG-M22 #/AD21.2	M22×1.5	AD21.2	13	17	29.5	45	27	50
WQG-M24 #/AD21.2	M24×1.5	AD21.2	13	17	29.5	45	27	50
WQG-M25 #/AD21.2	M25×1.5	AD21.2	13	17	29.5	45	27	50
WQG-M25 #/AD25.5	M25×1.5	AD25.5	13	20.5	34	46.5	31	25
WQG-M25 #/AD28.5	M25×1.5	AD28.5	13	20.5	37	47	34	25
WQG-M27 #/AD28.5	M27×2.0	AD28.5	13	22.5	37	47	34	25
WQG-M30 #/AD28.5	M30×2.0	AD28.5	13	23.5	37	47	34	25
WQG-M32 #/AD28.5	M32×1.5	AD28.5	13	23.5	37	47	34	25
WQG-M32 #/AD31.5	M32×1.5	AD31.5	15	26	41	51	37	25
WQG-M32 #/AD34.5	M32×1.5	AD34.5	15	26	44	51	40	25
WQG-M33 #/AD34.5	M33×2.0	AD34.5	15	26	44	51	40	25
WQG-M36 #/AD34.5	M36×2.0	AD34.5	15	30	44	51	40	25
WQG-M40 #/AD34.5	M40×1.5	AD34.5	15	28.5	44	51	40	25
WQG-M40 #/AD42.5	M40×1.5	AD42.5	15	33	52	54	50	10
WQG-M42 #/AD42.5	M42×2.0	AD42.5	15	35	52	54	50	10
WQG-M48 #/AD42.5	M48×2.0	AD42.5	15	36.5	52	54	50	10
WQG-M50 #/AD42.5	M50×1.5	AD42.5	15	36.5	52	54	50	10
WQG-M50 #/AD54.5	M50×1.5	AD54.5	16	43	64	55	60	5
WQG-M56 #/AD54.5	M56×2.0	AD54.5	16	48	64	55	60	5
WQG-M60 #/AD54.5	M60×2.0	AD54.5	16	48	64	55	60	5
WQG-M63 #/AD54.5	M63×1.5	AD54.5	16	48	64	55	60	5
WQG-M64 #/AD54.5	M64×2.0	AD54.5	16	48	64	55	60	5

★ 订货编号: #=B(黑色)、G(深灰色)

Order number: #=B(Black)、G(Dark grey)

WQG 快速软管接头 Quick Screw Connector

- 材料: 尼龙
- 颜色: 深灰色(RAL 7037),黑色(RAL 9005)
- 温度: -40°C~100°C, 短时达到120°C
- 防护等级: IP68,使用合适的密封圈(O-ring/FR)
- 阻燃等级: V2(UL94)(安装规范参考P16页)
- 性能: 自熄灭性好, 不含卤素、磷、镉,通过RoHS测试
- 适配: 除重载型WYK软管外的所有软管

- Material: Polyamide
- Color: Grey (RAL 7037), black (RAL 9005)
- Temperature range: Min-40°C,max100°C,short-term120°C
- Protection degree: IP68, using suitable seals(O-ring/FR)
- Flame-retardant: V2(UL94) (Refer to page P16 for installation specifications)
- Performance: Self-extinguishing, free of halogen, phosp and cadmium,passed RoHS
- Fit with: All tubing except overload type WYK tubing



CE C_{RU} US
UL证书号: E317026

WQG-P 德国PG制螺纹 German PG Thread

规格型号 Article no.	螺纹规格 Thread dimension	适配软管AD Fits to tubing size	螺纹外径 Thread OD	螺纹长度C Thread length	孔径 φ I mm	外径 φ B mm	长度D Total length mm	扳手尺寸 SW wrench size	包装单位 Packet units
WQG-P07 #/AD10.0	PG7	AD10.0	12.5	12	7	17	35	15.5	50
WQG-P09 #/AD13.0	PG9	AD13.0	15.2	12	10	20	37	18	50
WQG-P11 #/AD15.8	PG11	AD15.8	18.6	12	12	23	39.5	21	50
WQG-P13.5 #/AD18.5	PG13.5	AD18.5	20.4	13	14.5	26	42	24	50
WQG-P13.5 #/AD21.2	PG13.5	AD21.2	20.4	13	15.5	29.5	45	27	50
WQG-P16 #/AD21.2	PG16	AD21.2	22.5	13	17	29.5	45	27	50
WQG-P21 #/AD25.5	PG21	AD25.5	28.3	13	21	34	46.5	31	50
WQG-P21 #/AD28.5	PG21	AD28.5	28.3	13	23.5	37	47	34	25
WQG-P29 #/AD31.5	PG29	AD31.5	37	15	26	41	51	37	25
WQG-P29 #/AD34.5	PG29	AD34.5	37	15	30	44	51	40	25
WQG-P29 #/AD42.5	PG36	AD42.5	47	15	36.5	52	54	50	10
WQG-P48 #/AD54.5	PG48	AD54.5	59.3	16	48	64	55	60	5

WQG-G G制螺纹 G Thread

规格型号 Article no.	螺纹规格 Thread dimension	适配软管AD Fits to tubing size	螺纹长度C Thread length	孔径 φ I mm	外径 φ B mm	长度D Total length mm	扳手尺寸 SW wrench size	包装单位 Packet units
WQG-G1/4 #/AD10.0	G1/4"	AD10.0	12	7	17	35	15.5	50
WQG-G3/8 #/AD13.0	G3/8"	AD13.0	12	10	20	37	18	50
WQG-G3/8 #/AD15.8	G3/8"	AD15.8	12	12	23	39.5	21	50
WQG-G1/2 #/AD15.8	G1/2"	AD15.8	12	12.5	23	39.5	21	50
WQG-G1/2 #/AD21.2	G1/2"	AD21.2	13	15	29.5	45	27	50
WQG-G3/4 #/AD25.5	G3/4"	AD25.5	13	21	34	46.5	31	25
WQG-G3/4 #/AD28.5	G3/4"	AD28.5	13	20.5	37	47	34	25
WQG-G1 #/AD31.5	G1"	AD31.5	15	26	41	51	37	25
WQG-G1 #/AD34.5	G1"	AD34.5	15	25.5	44	51	40	25
WQG-G1 1/4 #/AD42.5	G1 1/4"	AD42.5	15	35	52	54	50	10
WQG-G1 1/2 #/AD54.5	G1 1/2"	AD54.5	16	39	64	55	60	5
WQG-G2 #/AD54.5	G2"	AD54.5	16	48.5	64	55	60	5

★ 订货编号: #=B(黑色)、G(深灰色) Order number: #=B(Black)、G(Dark grey)

同时可提供NPT制螺纹接头 Note: NPT threaded joints are also available

WQGM 金属螺纹快速软管接头 Metal Quick Screw Connector

- 材料: 尼龙和青铜镀镍螺纹制成。
- 颜色: 深灰色(RAL 7037),黑色(RAL 9005)
- 温度: -40°C~100°C, 短时达120°C
- 防护等级: IP68 (安装规范参考P16页)
- 阻燃等级: V2(UL94)
- 性能: 自熄灭性好, 不含卤素、磷、镉,通过RoHS测试
- 特性: 极好的抗冲击强度, 极高强度的螺纹连接。
- 适配: 除重载型WYK软管外的所有软管



- Material: Polyamide with nickel-plated brass thread
- Color: Grey (RAL 7037), black (RAL 9005)
- Temperature range: Min-40°C,max100°C,short-term120°C
- Protection degree: IP68 (Refer to page P16 for installation specifications)
- Flame-retardant: V2(UL94)
- Performance: Self-extinguishing, free of halogen, phosphor and cadmium, passed RoHS
- Properties: Excellent impact resistance, high-intensive thread connection
- Fit with: All tubing except overload type WYK tubing

WQGM-M 公制螺纹 Metric PG Thread

规格型号 Article no.	螺纹规格 Thread dimension	适配软管AD Fits to tubing size	螺纹外径 Thread OD	螺纹长度C Thread length	孔径 φ I mm	外径 φ B mm	长度D Total length mm	扳手尺寸 SW wrench size	包装单位 Packet units
WQGM-M12 #/AD10.0	M12×1.5	AD10.0	12	10	7	17	37.5	18	50
WQGM-M12 #-5/AD10.0	M12×1.5	AD10.0	12	5	7	17	32.5	18	50
WQGM-M12 #-5/AD13.0	M12×1.5	AD13.0	12	5	7	20	35	22	50
WQGM-M12 #/AD13.0	M12×1.5	AD13.0	12	10	7	20	40	22	50
WQGM-M16 #/AD13.0	M16×1.5	AD13.0	16	12	10	20	42	22	50
WQGM-M16 #-6/AD13.0	M16×1.5	AD13.0	16	6	10	20	36	22	50
WQGM-M16 #-8/AD15.8	M16×1.5	AD15.8	16	8	10	23	39.5	25	50
WQGM-M16 #/AD15.8	M16×1.5	AD15.8	16	12	10	23	43.5	25	50
WQGM-M16 #-6/AD15.8	M16×1.5	AD15.8	16	6	10	23	37.5	25	50
WQGM-M20 #/AD15.8	M20×1.5	AD15.8	20	12	12	23	43.5	25	50
WQGM-M20 #-6/AD15.8	M20×1.5	AD15.8	20	6	12	23	37.5	25	50
WQGM-M20 #/AD18.5	M20×1.5	AD18.5	20	12	14.5	26	46.5	26	25
WQGM-M20 #-6/18.5	M20×1.5	AD18.5	20	6	14.5	26	40.5	26	25
WQGM-M20 #/AD21.2	M20×1.5	AD21.2	20	12	15	29.5	49	31	25
WQGM-M20 #-6/AD21.2	M20×1.5	AD21.2	20	6	15	29.5	43	31	25
WQGM-M25 #/AD21.2	M25×1.5	AD21.2	25	13	16	29.5	50	31	25
WQGM-M25 #-7/ADC21.2	M25×1.5	AD21.2	25	7	16	29.5	44	31	25
WQGM-M25 #/AD28.5	M25×1.5	AD28.5	25	13	18	37	52	39	20
WQGM-M25 #-7/AD28.5	M25×1.5	AD28.5	25	7	18	37	46	39	20
WQGM-M32 #/AD28.5	M32×1.5	AD28.5	32	14	23.5	37	53	39	20
WQGM-M32 #-8/AD28.5	M32×1.5	AD28.5	32	8	23.5	37	47	39	20
WQGM-M32 #/AD34.5	M32×1.5	AD34.5	32	14	24	44	57	46	10
WQGM-M32 #-8/AD34.5	M32×1.5	AD34.5	32	8	24	44	51	46	10
WQGM-M40 #/AD34.5	M40×1.5	AD34.5	40	17	28	44	60	46	10
WQGM-M40 #-8/AD34.5	M40×1.5	AD34.5	40	8	28	44	51	46	10
WQGM-M40 #/AD42.5	M40×1.5	AD42.5	40	17	32	52	61	55	10
WQGM-M40 #-10/AD42.5	M40×1.5	AD42.5	40	10	32	52	54	55	10
WQGM-M50 #/AD42.5	M50×1.5	AD42.5	50	17	36.5	52	61	55	10
WQGM-M50 #-9/AD42.5	M50×1.5	AD42.5	50	9	36.5	52	53	55	10
WQGM-M50 #/AD54.5	M50×1.5	AD54.5	50	17	42.5	64	69	70	5
WQGM-M50 #-9/AD54.5	M50×1.5	AD54.5	50	9	43	64	61	70	5
WQGM-M63 #/AD54.5	M63×1.5	AD54.5	63	17	48	64	69	70	5
WQGM-M63 #-10/AD54.5	M63×1.5	AD54.5	63	10	48	64	62	70	5

WQGM-P 德国PG制螺纹 German PG Thread

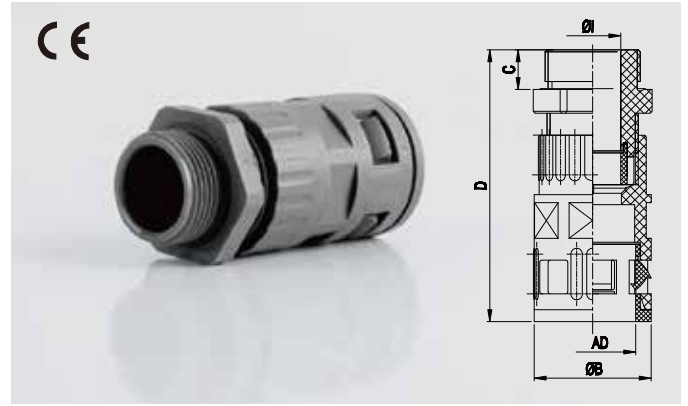
规格型号 Article no.	螺纹规格 Thread dimension	适配软管AD Fits to tubing size	螺纹外径 Thread OD	螺纹长度C Thread length	孔径 φ I mm	外径 φ B mm	长度D Total length mm	扳手尺寸 SW wrench size	包装单位 Packet units
WQGM-P07 #/AD10.0	PG7	AD10.0	12.5	10	7	17	37.5	18	50
WQGM-P09 #/AD13.0	PG9	AD13.0	15.2	12	10	20	42	22	50
WQGM-P11 #/AD15.8	PG11	AD15.8	18.6	12	1	23	43.5	25	50
WQGM-P13.5 #/AD18.5	PG13.5	AD18.5	20.4	12	14.5	26	46.5	26	25
WQGM-P13.5 #-7/AD18.5	PG13.5	AD18.5	20.4	7	14.5	26	41.5	26	25
WQGM-P16 #/AD21.2	PG16	AD21.2	22.5	13	16	29.5	50	31	25
WQGM-P21 #/AD28.5	PG21	AD28.5	28.3	14	20	37	53	39	20
WQGM-P29 #/AD34.5	PG29	AD34.5	37	14	27.5	44	57	46	10
WQGM-P36 #/AD42.5	PG36	AD42.5	47	17	36.5	52	61	55	10
WQGM-P48 #/AD54.5	PG48	AD54.5	59.3	17	48	64	69	70	5

★ 订货编号: #=B(黑色)、G(深灰色) Order number: #=B(Black)、G(Dark grey)
 同时可提供NPT制螺纹接头 Note: NPT threaded joints are also available

WQGZ1 带锁紧软管接头 Connector, Conically Sealing, With Strain Relief

- 材料: 尼龙
- 颜色: 深灰色(RAL 7037), 黑色(RAL 9005)
- 温度: -40°C~100°C, 短时达到120°C
- 防护等级: 在规定的卡口范围内, 并使用合适的密封圈(O-ring/FR), 涂螺纹密封胶后, 可达到IP66 (安装规范参考P16页)
- 阻燃等级: V2(UL94)
- 性能: 自熄灭性好, 不含卤素、磷、镉, 通过RoHS测试
- 适配: 除重载型WYK软管外的所有软管

- Material: Polyamide
- Color: Grey (RAL 7037), black (RAL 9005)
- Temperature range: Min-40°C, max100°C, short-term120°C
- Protection degree: Use appropriate sealing rings(O-ring/FR), IP66, using sealing gum around the thread. (Refer to page P16 for installation specifications)
- Flame-retardant: V2(UL94)
- Performance: Self-extinguishing, free of halogen, phosphor and cadmium, passed RoHS
- Fit with: All tubing except overload type WYK tubing



WQGZ1-M 公制螺纹 Metric Thread

规格型号 Article no.	螺纹规格 Thread dimension	适配软管AD Fits to tubing size	卡口范围 Clamping range mm	螺纹长度C Thread length	孔径 φ I mm	外径 φ B mm	长度D Total length mm	包装单位 Packet units
WQGZ1-M12 #/AD10.0	M12×1.5	AD10.0	3-6.5	8	7	17	53	50
WQGZ1-M16 #/AD13.0	M16×1.5	AD13.0	4-8	8	8	20	56	50
WQGZ1-M16 #/AD15.8	M16×1.5	AD15.8	5-10	9	10	23	59.5	50
WQGZ1-M18 #/AD15.8	M18×1.5	AD15.8	5-10	8	10	23	58.5	50
WQGZ1-M20 #/AD18.5	M20×1.5	AD18.5	6-12	9	12	26	63	50
WQGZ1-M20 #/AD21.2	M20×1.5	AD21.2	8-14	10	14	29.5	69	25
WQGZ1-M22 #/AD21.2	M22×1.5	AD21.2	8-14	10	14	29.5	69	25
WQGZ1-M25 #/AD25.5	M25×1.5	AD25.5	13-18	11	18	34	73.5	10
WQGZ1-M25 #/AD28.5	M25×1.5	AD28.5	13-18	11	18	37	74	10
* WQGZ1-M32 #/AD31.5	M32×1.5	AD31.5	18-25	12	25	41	85	10
WQGZ1-M32 #/AD34.5	M32×1.5	AD34.5	18-25	11	25	44	85	10
WQGZ1-M40 #/AD42.5	M40×1.5	AD42.5	22-32	13	32	52	98	10
WQGZ1-M50 #/AD54.5	M50×1.5	AD54.5	30-38	15	38	64	103	5
WQGZ1-M63 #/AD54.5	M63×1.5	AD54.5	37-44	15	44	64	101.5	5

WQGZ1-P 德国PG制螺纹 German PG Thread

规格型号 Article no.	螺纹规格 Thread dimension	适配软管AD Fits to tubing size	卡口范围 Clamping range mm	螺纹长度C Thread length	孔径 φ I mm	外径 φ B mm	长度D Total length mm	包装单位 Packet units
WQGZ1-P07 #/AD10.0	PG7	AD10.0	3-6.5	8	7	17	53	50
WQGZ1-P09 #/AD13.0	PG9	AD13.0	4-8	8	8	20	56	50
WQGZ1-P11 #/AD15.8	PG11	AD15.8	5-10	8	10	23	58.5	50
WQGZ1-P13.5 #/AD18.5	PG13.5	AD18.5	6-12	9	12	26	63	50
WQGZ1-P16 #/AD21.2	PG16	AD21.2	8-14	10	14	29.5	69	25
WQGZ1-P21 #/AD25.5	PG21	AD25.5	13-18	11	18	34	73	10
WQGZ1-P21 #/AD28.5	PG21	AD28.5	13-18	11	18	37	74	10
* WQGZ1-P29 #/AD31.5	PG29	AD31.5	18-25	12	25	41	85	10
WQGZ1-P29 #/AD34.5	PG29	AD34.5	18-25	11	25	44	85	10
WQGZ1-P36 #/AD42.5	PG36	AD42.5	22-32	13	32	52	98	10
WQGZ1-P48 #/AD54.5	PG48	AD54.5	37-44	15	44	64	101.5	5

★ 订货编号: #=B(黑色)、G(深灰色)

Order number: #=B(Black)、G(Dark grey)

WQGZ 带锁紧软管接头 Connector Conically Sealing With Strain Relief

- 材料: 尼龙
- 颜色: 深灰色(RAL 7037),黑色(RAL 9005)
- 温度: -40°C~100°C, 短时达到120°C
- 防护等级: 在规定的卡口范围内,并使用合适的密封圈(O-ring/FR),涂螺纹密封胶后,可达到IP66 (安装规范参考P16页)
- 阻燃等级: V2(UL94)
- 性能: 自熄灭性好, 不含卤素、磷、镉,通过RoHS测试
- 适配: 除重载型WYK软管外的所有软管

- Material: Polyamide
- Color: Grey (RAL 7037), black (RAL 9005)
- Temperature range: Min-40°C,max100°C,short-term120°C
- Protection degree: Use appropriate sealing rings(O-ring/FR),IP66, using sealing gum around the thread. (Refer to page P16 for installation specifications)
- Flame-retardant: V2(UL94)
- Performance: Self-extinguishing, free of halogen, phosphor and cadmium,passed RoHS.
- Fit with: All tubing except overload type WYK tubing



WQGZ-M 公制螺纹 Metric Thread

规格型号 Article no.	螺纹规格 Thread dimension	适配软管AD Fits to tubing size	卡口范围 Clamping range mm	螺纹长度C Thread length	孔径 φ I mm	外径 φ B mm	长度D Total length mm	包装单位 Packet units
WQGZ-M12 #/AD10.0	M12×1.5	AD10.0	3-6.5	8	7	17	53	50
WQGZ-M16 #/AD13.0	M16×1.5	AD13.0	4-8	8	8	20	56	50
WQGZ-M16 #/AD15.8	M16×1.5	AD15.8	5-10	8	10	23	59.5	50
WQGZ-M18 #/AD15.8	M18×1.5	AD15.8	5-10	8	10	23	58.5	50
WQGZ-M20 #/AD18.5	M20×1.5	AD18.5	6-12	9	12	26	63	50
WQGZ-M20 #/AD21.2	M20×1.5	AD21.2	8-14	10	14	29.5	69	25
WQGZ-M22 #/AD21.2	M22×1.5	AD21.2	8-14	10	14	29.5	69	25
WQGZ-M25 #/AD25.5	M25×1.5	AD25.5	13-18	11	18	34	73.5	10
WQGZ-M25 #/AD28.5	M25×1.5	AD28.5	13-18	11	18	37	74	10
* WQGZ-M32 #/AD31.5	M32×1.5	AD31.5	18-25	12	25	41	85	10
WQGZ-M32 #/AD34.5	M32×1.5	AD34.5	18-25	11	25	44	85	10
WQGZ-M40 #/AD42.5	M40×1.5	AD42.5	22-32	13	32	52	98	10
WQGZ-M50 #/AD54.5	M50×1.5	AD54.5	30-38	15	44	64	103	5
WQGZ-M63 #/AD54.5	M63×1.5	AD54.5	37-44	15	44	64	101.5	5

WQGZ-P 德国PG 制螺纹 German PG Thread

规格型号 Article no.	螺纹规格 Thread dimension	适配软管AD Fits to tubing size	卡口范围 Clamping range mm	螺纹长度C Thread length	孔径 φ I mm	外径 φ B mm	长度D Total length mm	包装单位 Packet units
WQGZ-P07 #/AD10.0	PG7	AD10.0	3-6.5	8	7	17	53	50
WQGZ-P09 #/AD13.0	PG9	AD13.0	4-8	8	8	20	56	50
WQGZ-P11 #/AD15.8	PG11	AD15.8	5-10	8	10	23	58.5	50
WQGZ-P13.5 #/AD18.5	PG13.5	AD18.5	6-12	9	12	26	63	50
WQGZ-P16 #/AD21.2	PG16	AD21.2	8-14	10	14	29.5	69	25
WQGZ-P21 #/AD25.5	PG21	AD25.5	13-18	11	18	34	73	10
WQGZ-P21 #/AD28.5	PG21	AD28.5	13-18	11	18	37	74	10
* WQGZ-P29 #/AD31.5	PG29	AD31.5	18-25	12	25	41	85	10
WQGZ-P29 #/AD34.5	PG29	AD34.5	18-25	11	25	44	85	10
WQGZ-P36 #/AD42.5	PG36	AD42.5	22-32	13	32	52	98	10
WQGZ-P48 #/AD54.5	PG48	AD54.5	37-44	15	44	64	101.5	5

★ 订货编号: #=B(黑色)、G(深灰色) Order number: #=B(Black)、G(Dark grey)
所有打*都可以开发 all article no.marked*can be developed

WQGMZ 带锁紧金属螺纹软管接头

Connectors, Conically Sealing, With Strain Relief, With Metal Thread

- 材料: 尼龙和黄铜镀镍螺纹制成
- 颜色: 深灰色(RAL 7037), 黑色(RAL 9005)
- 温度: -40°C~100°C, 短时达到120°C
- 防护等级: 涂螺纹密封胶后, 可达到IP68 (安装规范参考P16页)
- 性能: 自熄灭性好, 不含卤素、磷、镉, 通过RoHS测试
- 特性: 极好的抗冲击强度, 极高强度的螺纹连接, 并能紧固所穿电缆。
- 适配: 除重载型WYK软管外的所有软管

- Material: Polyamide with nickel-plated brass thread.
- Color: Grey (RAL 7037), black (RAL 9005)
- Temperature range: Min -40°C, max 100°C, short-term 120°C
- Protection degree: IP68, using sealing gum around the thread (Refer to page P16 for installation specifications)
- Performance: Self-extinguishing, free of halogen, phosphor and cadmium, passed RoHS
- Properties: Excellent impact resistance, high-intensity thread connection, fastening the cables.
- Fit with: All tubing except overload type WYK tubing



WQGMZ-M 公制螺纹 Metric Thread

规格型号 Article no.	螺纹规格 Thread dimension	适配软管AD Fits to Tubing Size	卡口范围 Clamping range mm	螺纹长度C Thread Length	孔径 φ I mm	外径 φ B mm	长度D Total length mm	包装单位 Packet units
WQGMZ-M12 #/AD10.0	M12×1.5	AD10.0	3~6.5	6	6.6	17	50	50
WQGMZ-M16 #/AD13.0	M16×1.5	AD13.0	4~8	7	8.4	20	55	50
WQGMZ-M18 #/AD15.8	M18×1.5	AD15.8	5~10	7	10.2	23	57.5	50
WQGMZ-M20 #-H/AD15.8	M20×1.5	AD15.8	5~10	7	10.2	23	63.5	50
WQGMZ-M20 #/AD18.5	M20×1.5	AD15.8	6~12	7	12.2	26	62	25
WQGMZ-M20 #-D/AD21.2	M20×1.5	AD21.2	8~14	7	14.2	29.5	64	25
WQGMZ-M22 #/AD21.2	M22×1.5	AD21.2	8~14	7	14.2	29.5	64	25
WQGMZ-M25 #/AD21.2	M25×1.5	AD21.2	10~16	7	16.2	29.5	65.5	25
WQGMZ-M25 #-D/AD28.5	M25×1.5	AD28.5	13~18	7	18.4	37	68	20
WQGMZ-M27 #/AD28.5	M27×2.0	AD28.5	13~18	8	18.4	37	69	20
WQGMZ-M30 #/AD28.5	M30×2.0	AD28.5	13~18	8	18.4	37	69	20
WQGMZ-M32 #-D/AD34.5	M32×1.5	AD34.5	18~25	8	25.2	44	79.5	10
WQGMZ-M36 #/AD34.5	M36×2.0	AD34.5	18~25	8	25.2	44	79.5	10
WQGMZ-M40 #-D/AD42.5	M40×1.5	AD42.5	22~32	9	32.5	52	86.5	10
WQGMZ-M48 #/AD42.5	M48×2.0	AD42.5	22~32	9	32.5	52	86.5	10
WQGMZ-M50 #/AD54.5	M50×1.5	AD54.5	30~38	9	39	64	96	5
WQGMZ-M50 #-D/AD54.5	M50×1.5	AD54.5	37~44	9	44.5	64	96.5	5
WQGMZ-M63 #/AD54.5	M63×1.5	AD54.5	37~44	10	44.5	64	97.5	5
WQGMZ-M64 #/AD54.5	M64×2.0	AD54.5	37~44	10	44.5	64	97.5	5

WQGMZ-P 德国PG螺纹 German PG Thread

规格型号 Article no.	螺纹规格 Thread dimension	适配软管AD Fits to Tubing Size	卡口范围 Clamping range mm	螺纹长度C Thread Length	孔径 φ I mm	外径 φ B mm	长度D Total length mm	包装单位 Packet units
WQGMZ-P07 #/AD10.0	PG7	AD10.0	3~6.5	6	6.6	17	50	50
WQGMZ-P09 #/AD13.0	PG9	AD13.0	4~8	7	8.4	20	55	50
WQGMZ-P11 #/AD15.8	PG11	AD15.5	5~10	7	10.2	23	57.5	50
WQGMZ-P13.5 #/AD18.5	PG13.5	AD18.5	6~12	7	12.2	26	62	50
WQGMZ-P16 #/AD21.2	PG16	AD21.2	8~14	7	14.2	29.5	64	25
WQGMZ-P21 #/AD28.5	PG21	AD28.5	13~18	7	18.4	37	68	20
WQGMZ-P29 #/AD34.5	PG29	AD34.5	18~25	8	25.2	44	79.5	10
WQGMZ-P36 #/AD42.5	PG36	AD42.5	22~32	9	32.5	52	86.5	10
WQGMZ-P48 #/AD54.5	PG48	AD54.5	37~44	10	44.5	64	97.5	5

★ 订货编号: #=B(黑色)、G(深灰色)

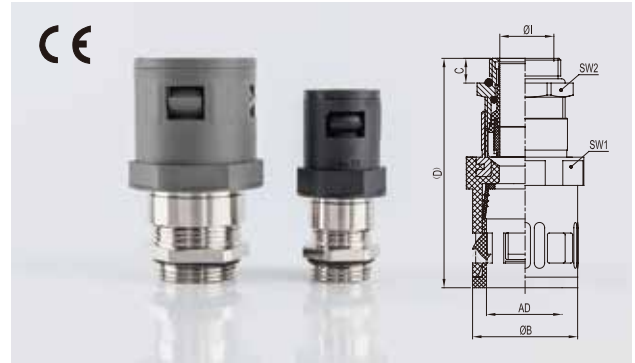
Order number: #=B(Black)、G(Dark grey)

WQGMZE 带锁紧屏蔽金属螺纹软管接头

Connectors Conically Sealing With Strain Relief And Shielding With Metal Thread

- 材料: 尼龙和青铜镀镍螺纹制成
- 颜色: 深灰色(RAL 7037),黑色(RAL 9005)
- 温度: -40°C~100°C, 短时达到120°C
- 防护等级: 涂螺纹密封胶后,可达到IP68(安装规范参考P16页)
- 性能: 自熄灭性好, 不含卤素、磷、镉,通过RoHS测试
- 特性: 极好的抗冲击强度,极高强度的螺纹连接,并能紧固所穿电缆,非常好的屏蔽功能
- 适配: 除重载型WYK软管外的所有软管

• 阻燃等级: V2(UL94)



- Material: Polyamide with nickel-plated brass thread.
- Color: Grey (RAL 7037), black (RAL 9005)
- Temperature range: Min-40°C,max100°C,short-term120°C
- Protection degree: IP68, using sealing gum around the thread (Refer to page P16 for installation specifications)
- Flame-retardant: V2(UL94)
- Performance: Self-extinguishing, free of halogen, phosphor and cadmium,passed RoHS
- Properties: Excellent impact resistance, high-intensive thread connection, fastening the cable,with excellent shielding
- Fit with: All tubing except overload type WYK tubing

WQGMZE-M 公制螺纹 Metric Thread

规格型号 Article no.	螺纹规格 Thread dimension	适配软管AD Fits to tubing size	卡口范围 Clamping range mm	螺纹长度C Thread length	孔径 φ I mm	外径 φ B mm	长度D Total length mm	包装单位 Packet units
WQGMZE-M12 #/AD10.0	M12×1.5	AD10.0	3~6.5	6	6.6	17	50	50
WQGMZE-M16 #/AD13.0	M16×1.5	AD13.0	4~8	7	8.4	20	56	50
WQGMZE-M18 #/AD15.8	M18×1.5	AD15.8	5~10	7	10.2	23	58	50
WQGMZE-M20 #-H/AD15.8	M20×1.5	AD15.8	5~10	7	10.2	23	58	50
WQGMZE-M20 #/AD18.5	M20×1.5	AD18.5	6~12	7	12.2	26	63	25
WQGMZE-M20 #-D/AD21.2	M20×1.5	AD21.2	8~14	7	14.2	29.5	65	25
* WQGMZE-M22 #/AD21.2	M22×1.5	AD21.2	8~14	7	14.2	29.5	65.5	25
WQGMZE-M25 #/AD21.2	M25×1.5	AD21.2	10~16	7	16.2	29.5	66.5	25
WQGMZE-M25 #-D/AD28.5	M25×1.5	AD28.5	13~18	7	18.4	37	69	25
WQGMZE-M27 #/AD28.5	M27×2	AD28.5	13~18	8	18.4	37	69	20
WQGMZE-M30 #/AD28.5	M30×2	AD28.5	13~18	8	18.4	37	69	20
WQGMZE-M32 #-D/AD34.5	M32×1.5	AD34.5	18~25	8	25.2	44	81	10
WQGMZE-M36 #/AD34.5	M36×2	AD34.5	18~25	8	25.2	44	81	10
WQGMZE-M40 #-D/AD42.5	M40×1.5	AD42.5	22~32	9	32.4	52	88	10
WQGMZE-M48 #/AD42.5	M48×2	AD42.5	22~32	9	32.5	52	88	10
WQGMZE-M50 #/AD54.5	M50×1.5	AD54.5	30~38	9	38.2	64	88	5
WQGMZE-M63 #/AD54.5	M63×1.5	AD54.5	37~44	10	44.2	64	99	5
WQGMZE-M64 #/AD54.5	M64×2	AD54.5	37~44	10	44.2	64	99	5

WQGMZE-P 德国PG螺纹 German PG Thread

规格型号 Article no.	螺纹规格 Thread dimension	适配软管AD Fits to tubing size	卡口范围 Clamping range mm	螺纹长度C Thread length	孔径 φ I mm	外径 φ B mm	长度D Total length mm	包装单位 Packet units
WQGMZE-P07 #/AD10.0	PG7	AD10.0	3~6.5	6	6.6	17	50	50
WQGMZE-P09 #/AD13.0	PG9	AD13.0	4~8	7	8.4	20	56	50
WQGMZE-P11 #/AD15.8	PG11	AD15.8	5~10	7	10.2	23	58	50
WQGMZE-P13.5 #/AD18.5	PG13.5	AD18.5	6~12	7	12.2	26	63	25
WQGMZE-P16 #/AD21.2	PG16	AD21.2	8~14	7	14.2	29.5	65	25
WQGMZE-P21 #/AD28.5	PG21	AD28.5	13~18	8	18.4	37	69	20
WQGMZE-P29 #/AD34.5	PG29	AD34.5	18~25	8	25.2	44	81	10
WQGMZE-P36 #/AD42.5	PG36	AD42.5	22~32	9	32.5	52	88	10
WQGMZE-P48 #/AD54.5	PG48	AD54.5	37~44	10	44.5	64	99	5

★ 订货编号: #=B(黑色)、G(深灰色)

Order number: #=B(Black)、G(Dark grey)

WQGMZ.DS 带锁紧电缆金属螺纹软管接头

Metal Thread Plastic Tubing Connector With Strain Relief

- 材料：尼龙、黄铜镀镍。内部芯体和密封件材料为硅橡胶
- 颜色：深灰(RAL7037)，黑色(PAL9005)
- 温度：-40°C~100°C
- 防护等级：在规定的卡口范围之内可达IP68
(安装规范参考P16页)
- 阻燃等级：V2(UL94)
- 适配：除重载型WYK软管外的所有软管

- Material: Polyamide,Nickel-plated brass. The inner core and sealing material is silicone rubber
- Color:Grey(RAL7037), black(RAL9005)
- Temperature range: Min-40 C ,max100 C
- Protection degree:Within the clamping range,its protection degree can reach IP68
(Refer to page P16 for installation specifications)
- Flame-retardant: V2(UL94)
- Fit with: All tubing except overload type WYK tubing



规格型号 Article no.	螺纹规格 Thread dimension	适配软管AD Fits to tubing size	卡口范围 Clamping range mm	螺纹长度C Thread length	外径 Φ B mm	包装单位 Packet units
WQGMZ.DS-M12 #/6.5/AD13.0	M12×1.5	AD13.0	4.5~6.5	6	20	50
WQGMZ.DS-M12 #/8/AD13.0	M12×1.5	AD13.0	5~8	6	20	50
WQGMZ.DS-M16 #/6.5/AD13.0	M16×1.5	AD13.0	4.5~6.5	7	20	50
WQGMZ.DS-M16 #/8/AD13.0	M16×1.5	AD13.0	5~8	7	20	50
WQGMZ.DS/M20 #/9.5/AD15.8	M20×1.5	AD15.8	6.5~9.5	7	23	50
WQGMZ.DS/M20 #/10/AD15.8	M20×1.5	AD15.8	7~10	7	23	50
WQGMZ.DS/M20 #/10/AD18.5	M20×1.5	AD18.5	7~10	7	26	25
WQGMZ.DS/M20 #/10/AD21.2	M20×1.5	AD21.2	7~10	7	29.5	25
WQGMZ.DS/M20 #/13/AD21.2	M25×1.5	AD21.2	9~13	7	29.5	25
WQGMZ.DS/M25 #/13/AD21.2	M25×1.5	AD21.2	9~13	7	29.5	25
WQGMZ.DS/M25 #/15/AD21.2	M25×1.5	AD21.2	12~15	7	29.5	25
WQGMZ.DS/M25 #/13/AD28.5	M25×1.5	AD28.5	9~13	7	37	20
WQGMZ.DS/M25 #/15/AD28.5	M25×1.5	AD28.5	12~15	7	37	20
WQGMZ.DS/M32 #/18/AD28.5	M32×1.5	AD28.5	14~18	8	37	20
WQGMZ.DS/M32 #/20/AD28.5	M32×1.5	AD28.5	17~20	8	37	20
WQGMZ.DS/M32 #/18/AD34.5	M32×1.5	AD34.5	14~18	8	44	10
WQGMZ.DS/M32 #/20/AD34.5	M32×1.5	AD34.5	17~20	8	44	10
WQGMZ.DS/M32 #/25/AD34.5	M32×1.5	AD34.5	21~25	8	44	10
WQGMZ.DS/M40 #/18/AD34.5	M40×1.5	AD34.5	14~18	9	44	10
WQGMZ.DS/M40 #/20/AD34.5	M40×1.5	AD34.5	17~20	9	44	10
WQGMZ.DS/M40 #/25/AD34.5	M40×1.5	AD34.5	21~25	9	44	10
WQGMZ.DS/M40 #/28/AD34.5	M40×1.5	AD34.5	24~28	9	44	10
WQGMZ.DS/M40 #/25/AD42.5	M40×1.5	AD42.5	21~25	9	52	10
WQGMZ.DS/M40 #/28/AD42.5	M40×1.5	AD42.5	24~28	9	52	10
WQGMZ.DS/M50 #/32/AD42.5	M50×1.5	AD42.5	27~32	9	52	10
WQGMZ.DS/M50 #/36/AD42.5	M50×1.5	AD42.5	32~36	9	52	10
WQGMZ.DS/M50 #/36/AD54.5	M50×1.5	AD54.5	32~36	9	64	5
WQGMZ.DS/M50 #/40/AD54.5	M50×1.5	AD54.5	36~40	9	64	5
WQGMZ.DS/M63 #/36/AD54.5	M63×1.5	AD54.5	32~36	10	64	5
WQGMZ.DS/M63 #/43/AD54.5	M63×1.5	AD54.5	39~43	10	64	5

★ 订货编号：# = B(黑色)、G(深灰色)

Order number: # = B(Black)、G(Dark grey)

WQGMZ.DS-EMV.SC 带锁紧屏蔽电缆金属螺纹软管及额头

EMC Metal Thread Plastic Tubing Connector With Strain Relief

- 材料: 尼龙、黄铜镀镍。内部芯体和密封件材料为硅橡胶。屏蔽环为不锈钢
- 颜色: 深灰 (RAL7037), 黑色 (PAL9005)
- 温度: -40°C~100°C
- 防护等级: 在规定的卡口范围之内可达IP68 (安装规范参考P16页)
- 阻燃等级: V2 (UL94)
- 适配: 除重载型WYK软管外的所有软管



- Material: Nylon, nickel-plated brass. The inner core and sealing material is silicone rubber. Shield ring is stainless steel
- Color: Grey (RAL7037), black (RAL9005)
- Temperature range: Min -40 °C, max 100 °C
- Protection degree: Within the clamping range, its protection degree can reach IP68 (Refer to page P16 for installation specifications)
- Flame-retardant: V2 (UL94)
- Fit with: All tubing except overload type WYK tubing

规格型号 Article no.	螺纹规格 Thread dimension	适配软管AD Fits to tubing size	卡口范围 Clamping range mm	屏蔽范围 Shielding range mm	螺纹长度C Thread length	外径 Φ B mm	包装单位 Packet units
WQGMZ.DS-EMV.SC-M12 #/6.5/AD13.0	M12×1.5	AD13.0	4.5~6.5	2~6.5	6	20	50
WQGMZ.DS-EMV.SC-M12 #/8/AD13.0	M12X1.5	AD13.0	5~8	2~6.5	6	20	50
WQGMZ.DS-EMV.SC-M16 #/6.5/AD13.0	M16×1.5	AD13.0	4.5~6.5	2~6.5	7	20	50
WQGMZ.DS-EMV.SC-M16 #/8/AD13.0	M16×1.5	AD13.0	5~8	2~6.5	7	20	50
WQGMZ.DS-EMV.SC-M20 #/10/AD15.8	M20×1.5	AD15.8	7~10	5.5~10	7	23	50
WQGMZ.DS-EMV.SC-M20 #/10/AD18.5	M20×1.5	AD18.5	7~10	5.5~10	7	26	25
WQGMZ.DS-EMV.SC-M20 #/10/AD21.2	M20×1.5	AD21.2	7~10	5.5~10	7	29.5	25
WQGMZ.DS-EMV.SC-M20 #/13/AD21.2	M20×1.5	AD21.2	9~13	5.5~12	7	29.5	25
WQGMZ.DS-EMV.SC-M25 #/13/AD21.2	M25×1.5	AD21.2	9~13	5.5~12	7	29.5	25
WQGMZ.DS-EMV.SC-M25 #/15/AD21.2	M25×1.5	AD21.2	12~15	8.5~15	7	29.5	25
WQGMZ.DS-EMV.SC-M25 #/15/AD28.5	M25×1.5	AD28.5	12~15	8.5~15	7	37	20
WQGMZ.DS-EMV.SC-M32 #/18/AD28.5	M32×1.5	AD28.5	12~18	8.5~16	8	37	20
WQGMZ.DS-EMV.SC-M32 #/20/AD28.5	M32×1.5	AD28.5	16~20	13~20	8	37	20
WQGMZ.DS-EMV.SC-M32 #/18/AD34.5	M32×1.5	AD34.5	12~18	8.5~16	8	44	10
WQGMZ.DS-EMV.SC-M32 #/20/AD34.5	M32×1.5	AD34.5	16~20	13~20	8	44	10
WQGMZ.DS-EMV.SC-M32 #/25/AD34.5	M32×1.5	AD34.5	21~25	13~22	8	44	10
WQGMZ.DS-EMV.SC-M40 #/18/AD34.5	M40×1.5	AD34.5	12~18	8.5~16	9	44	10
WQGMZ.DS-EMV.SC-M40 #/20/AD34.5	M40×1.5	AD34.5	16~20	13~20	9	44	10
WQGMZ.DS-EMV.SC-M40 #/25/AD34.5	M40×1.5	AD34.5	21~25	13~22	9	44	10
WQGMZ.DS-EMV.SC-M40 #/28/AD34.5	M40×1.5	AD34.5	24~28	18.5~28	9	44	10
WQGMZ.DS-EMV.SC-M40 #/25/AD42.5	M40×1.5	AD42.5	21~25	13~22	9	52	10
WQGMZ.DS-EMV.SC-M40 #/28/AD42.5	M40×1.5	AD42.5	24~28	18.5~28	9	52	10
WQGMZ.DS-EMV.SC-M50 #/32/AD42.5	M50×1.5	AD42.5	27~33	18.5~30	9	52	10
WQGMZ.DS-EMV.SC-M50 #/38/AD42.5	M50×1.5	AD42.5	33~38	18.5~30	9	52	10
WQGMZ.DS-EMV.SC-M50 #/38/AD54.5	M50×1.5	AD54.5	33~38	18.5~30	9	64	5
WQGMZ.DS-EMV.SC-M50 #/41/AD54.5	M50×1.5	AD54.5	34~41	25.5~38	9	64	5
WQGMZ.DS-EMV.SC-M63 #/38/AD54.5	M63×1.5	AD54.5	33~38	18.5~30	10	64	5
WQGMZ.DS-EMV.SC-M63 #/41/AD54.5	M50×1.5	AD54.5	34~41	25.5~38	10	64	5

★ 订货编号: #=B(黑色)、G(深灰色)

Order number: #=B(Black)、G(Dark grey)

WQGD 高防护旋紧软管接头 High-Protection Liquid Tight Compression Tubing Connector

- 材料: 尼龙
- 阻燃等级: V2(UL94)
- 颜色: 深灰色(RAL 7037), 黑色(RAL 9005)
- 温度: -40°C~100°C, 短时达到120°C
- 防护等级: IP69K, 使用合适的密封圈(O-ring/FR)
- 性能: 安装方便、高的防水性能, 高的可靠性及抗震能力, 自熄灭性好, 不含卤素、磷、镉, 通过RoHS测试, 适用于我司普通软管, 更适用于重载型WYK软管

- Material: Polyamide
- Flame-retardant: V2(UL94)
- Color: Grey (RAL 7037), black (RAL 9005)
- Temperature range: Min-40°C, max 100°C, short-term 120°C
- Protection degree: IP69K, use appropriate sealing ring (O-ring/FR)
- Performance: Easy to install, high waterproof performance, high reliability and earthquake resistance Ability, Self-extinguishing, free of halogen, phosphor and cadmium, passed RoHS. fit with both normal tubing WY and coarse profile tubing WYK.

★ 订货编号: #=B(黑色)、G(深灰色)

Order number: #=B(Black)、G(Dark grey)

可开发其他螺纹规格

Note: Other thread specifications can be developed



规格型号 Article no.	螺纹规格 Thread dimension	适配软管 AD Fits to tubing size	螺纹长度 C Thread length	孔径 φ1 mm	扳手尺寸 SW wrench size	包装单位 Packet units
WQGD-M12 #/AD10.0	M12×1.5	AD10.0	12	7	23	50
WQGD-M16 #/AD13.0	M16×1.5	AD13.0	12	10	26	50
WQGD-M18 #/AD15.8	M18×1.5	AD15.8	12	12	28	50
WQGD-M20 #/AD15.8	M20×1.5	AD15.8	12	12	28	50
WQGD-M20 #/AD18.5	M20×1.5	AD18.5	13	14.5	30	50
WQGD-M20 #/AD21.2	M20×1.5	AD21.2	13	13.5	34	50
WQGD-M25 #/AD28.5	M25×1.5	AD28.5	13	20	42	25
WQGD-M32 #/AD34.5	M32×1.5	AD34.5	15	26	50	25
WQGD-M40 #/AD34.5	M40×1.5	AD34.5	15	28	50	25
WQGD-M50 #/AD42.5	M50×1.5	AD42.5	15	36	60	10
WQGD-M63 #/AD54.5	M63×1.5	AD54.5	16	48	75	5

WQGDM 金属螺纹旋紧软管接头 Metal Screw Liquid Tight Compression Tubing Connector

- 材料: 尼龙和铜镀镍螺纹制成
- 颜色: 深灰色(RAL 7037), 黑色(RAL 9005)
- 温度: -40°C~100°C, 短时达120°C
- 防护等级: IP69K
- 阻燃等级: V2(UL94)
- 性能: 安装方便、高强度的螺纹连接, 高的防水性能、高的可靠性及抗震能力。自熄灭性好, 不含卤素、磷、镉, 通过RoHS测试, 适用于我司普通软管, 更适合重载型WYK软管

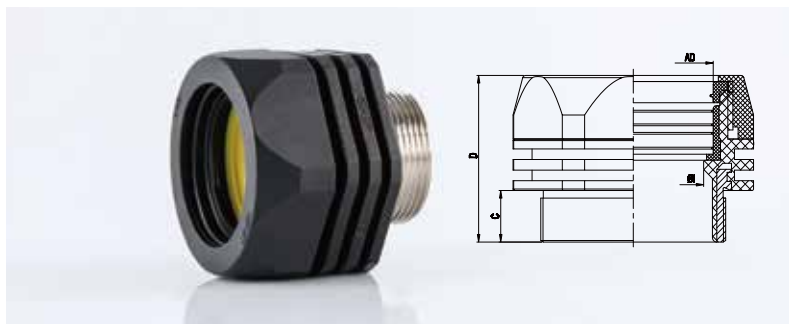
- Material: Polyamide with nickel-plated brass thread
- Color: Grey (RAL 7037), black (RAL 9005)
- Temperature range: Min-40°C, max 100°C, short-term 120°C
- Protection degree: IP69K, use appropriate sealing ring
- Flame-retardant: V2(UL94)
- Performance: Easy to install, high waterproof performance, high reliability and earthquake resistance Ability, Self-extinguishing, free of halogen, phosphor and cadmium, passed RoHS. fit with both normal tubing WY and coarse profile tubing WYK

★ 订货编号: #=B(黑色)、G(深灰色)

Order number: #=B(Black)、G(Dark grey)

可开发其他螺纹规格

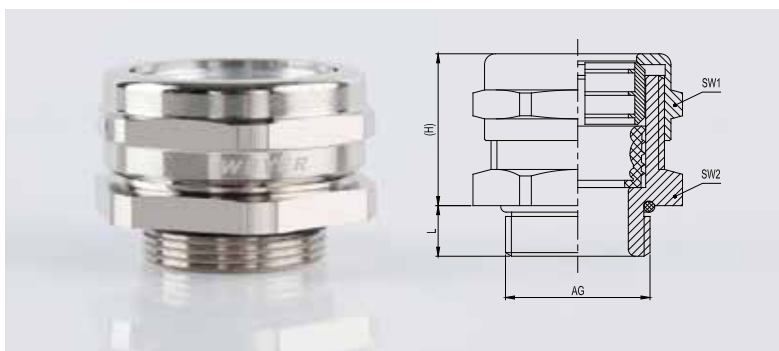
Note: Other thread specifications can be developed



规格型号 Article no.	螺纹规格 Thread dimension	适配软管 AD Fits to tubing size	螺纹长度 C Thread length	孔径 φ1 mm	扳手尺寸 SW wrench size	包装单位 Packet units
WQGDM-M12 #/AD10.0	M12×1.5	AD10.0	10	7	23	50
WQGDM-M12 #-5/AD10.0	M12×1.5	AD10.0	5	7	23	50
WQGDM-M16 #/AD13.0	M16×1.5	AD13.0	12	10	26	50
WQGDM-M16 #-6/AD13.0	M16×1.5	AD13.0	6	10	26	50
WQGDM-M20 #/AD15.8	M20×1.5	AD15.8	12	12	28	50
WQGDM-M20 #-6/AD15.8	M20×1.5	AD15.8	6	12	28	50
WQGDM-M20 #/AD18.5	M20×1.5	AD18.5	12	14.5	30	25
WQGDM-M20 #-6/AD18.5	M20×1.5	AD18.5	6	14.5	30	25
WQGDM-M20 #/AD21.2	M20×1.5	AD21.2	12	13.5	34	25
WQGDM-M20 #-6/AD21.2	M20×1.5	AD21.2	6	13.5	34	25
WQGDM-M25 #/AD28.5	M25×1.5	AD28.5	13	18	42	20
WQGDM-M25 #-7/AD28.5	M25×1.5	AD28.5	7	18	42	20
WQGDM-M32 #/AD34.5	M32×1.5	AD34.5	14	24	50	10
WQGDM-M32 #-8/AD34.5	M32×1.5	AD34.5	8	24	50	10
WQGDM-M40 #/AD34.5	M40×1.5	AD34.5	17	32	50	10
WQGDM-M40 #-8/AD34.5	M40×1.5	AD34.5	8	32	50	10
WQGDM-M50 #/AD42.5	M50×1.5	AD42.5	17	42	60	10
WQGDM-M50 #-9/AD42.5	M50×1.5	AD42.5	9	42	60	10
WQGDM-M63 #/AD54.5	M63×1.5	AD54.5	17	48	75	5
WQGDM-M63 #-10/AD54.5	M63×1.5	AD54.5	10	48	75	5

WQJ 金属卡环软管接头 Metal Clasp Tubing Connector

- 材料: 外部金属为黄铜镀镍;密封件为改性橡胶
- 温度: -40°C~100°C
- 防护等级: IP68
- 性能: 拥有良好的抗冲击性能及抗震动性能,对软管拥有高强度的锁紧功能



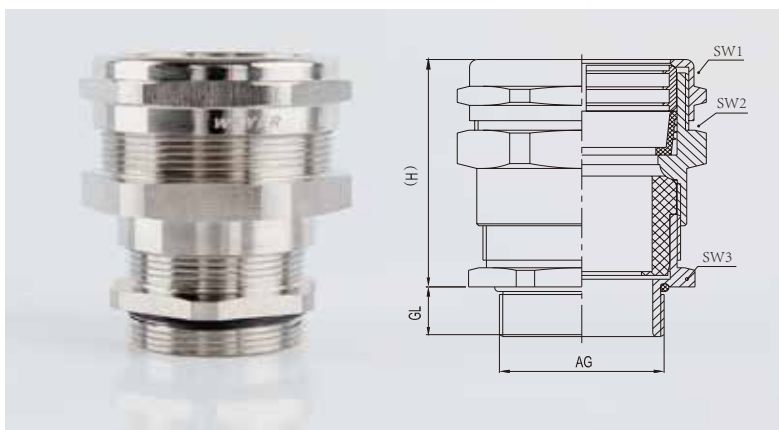
- Material: Body: nickel-plated brass; Seal: modified rubber
- Temperature range: Min-40°C, max 100°C
- Protection degree: IP68
- Performance: Good impact and vibration resistance, and the tubing has a high-intensity locking function

WQJ-M 公制螺纹 Metric Thread

规格型号 Article no.	螺纹规格AG Thread dimension	适配软管AD Fits to tubing size	螺纹长度GL Wrench length	(H)	扳手尺寸 SW wrench size	包装单位 Packet units
WQJ-M12/AD10.0	M12×1.5	AD10.0	6	18	20/19	75
WQJ-M12/AD13.0-L	M12×1.5	AD13.0	20	19	22/21	32
WQJ-M20/AD15.8	M20×1.5	AD15.8	7	21	26/26	18
WQJ-M20/AD18.5	M20×1.5	AD18.5	7	23	30/28	18
WQJ-M25/AD21.2	M25×1.5	AD21.2	7	23.75	34/34	18
WQJ-M32/AD28.5	M32×1.5	AD28.5	8	24.5	40/38	8
WQJ-M32/AD34.5	M32×1.5	AD34.5	8	24	45/45	8
WQJ-M40/AD42.5	M40×1.5	AD42.5	9	30.45	55/55	8
WQJ-M50/AD54.5	M50×1.5	AD54.5	9	30.5	70/65	2

WQJL 带锁紧卡环软管接头 Connector, Conically Sealing, With Strain Relief, With Snap Ring

- 材料: 外部金属为黄铜镀镍;密封件为改性橡胶;芯体为TPE
- 温度: -40°C~100°C
- 防护等级: IP68
- 性能: 拥有良好的抗冲击性能及抗震动性能,对软管及线缆拥有高强度的锁紧功能



- Material: Body: nickel-plated brass; Seal: modified rubber; Core: TPE
- Temperature range: Min-40°C, max 100°C
- Protection degree: IP68
- Flame-retardant: Good impact and vibration resistance, high strength locking function for tubing and cable

规格型号 Article no.	螺纹规格 Thread dimension	适配软管AD Fits to tubing size	卡口范围 Clamping range	螺纹长度GL Wrench length	(H)	扳手尺寸SW Wrench size	包装单位 Packet units
WQJL-M12/AD10.0	M12×1.5	AD10.0	4-7	6	36	20/19/14	50
WQJL-M16/AD13.0	M16×1.5	AD13.0	6.5-9.5	7	38	22/21/18	32
WQJL-M18/AD15.8	M18×1.5	AD15.8	6-10	7	40	26/26/20	9
WQJL-M20/AD18.5	M20×1.5	AD18.5	9-13	7	43	30/28/26	9
WQJL-M25/AD21.2	M25×1.5	AD21.2	13-17	7	45	34/32/28	9
WQJL-M30/AD25.5	M30×2.0	AD25.5	15-19	8	47	36/36/36	4
WQJL-M32/AD28.5	M32×1.5	AD28.5	18-22	8	47	40/38/36	4
WQJL-M32/AD31.5	M32×1.5	AD31.5	20-24	8	48	45/45/38	4
WQJL-M36/AD34.5	M36×2.0	AD34.5	24-28	8	50	45/45/42	4
WQJL-M40/AD42.5	M40×1.5	AD42.5	27-32	9	56	55/55/46	4
WQJL-M50/AD54.5	M50×1.5	AD54.5	32-37	9	55	70/65/55	1

★ WQJ及WQJL亦可提供不锈钢产品 Note: WQJ and WQJL stainless steel is available

WQG3 内螺纹软管接头 Plastic Quick Screw Connector Conically Sealing Female Thread

- 材料: 尼龙
- 防护等级: IP66(安装规范参考P16页)
- 颜色: 深灰色(RAL 7037),黑色(RAL 9005)
- 阻燃等级: V2(UL94)
- 温度: -40°C~100°C, 短时达到120°C
- 性能: 自熄灭性好, 不含卤素、磷、镉,通过RoHS测试
- 适配: 除重载型WYK软管外的所有软管

- Material: Polyamide
- Flame-retardant: V2(UL94)
- Protection degree: IP66 (Refer to page P16 for installation specifications)
- Color: Grey (RAL 7037), black (RAL 9005)
- Temperature range: Min-40°C, max100°C,short-term120°C
- Performance: Self-extinguishing, free of halogen, phosphor and cadmium,passed RoHS
- Fit with: All tubing except WYK series tubing



WQG3-M 公制螺纹 Metric Thread

规格型号 Article no.	螺纹规格 Thread dimension	适配软管AD Fits to tubing size	扳手尺寸 SW wrench size	螺纹长度C Thread length	孔径 φ I mm	外径 φ B mm	长度D Total length mm	包装单位 Packet units
WQG3-M10 #/AD10.0	M10×1.0	AD10.0	15.5	12.5	7	17	36	50
WQG3-M12 #/AD10.0	M12×1.5	AD10.0	15.5	12.5	7	17	36	50
WQG3-M12 #/AD13.0	M12×1.5	AD13.0	18	13	10	20	38.5	50
WQG3-M16 #/AD13.0	M16×1.5	AD13.0	18	13.5	10	20	38.5	50
WQG3-M16 #/AD15.8	M16×1.5	AD15.8	21	13.5	12	23	41	50
WQG3-M20 #/AD15.8	M20×1.5	AD15.8	21	13.5	12	23	41	50
WQG3-M20 #/AD18.5	M20×1.5	AD18.5	24	13.5	14.5	26	43	50
WQG3-M20 #/AD21.2	M20×1.5	AD21.2	27	14.5	17	29.5	47	50
WQG3-M22 #/AD21.2	M22×1.5	AD21.2	27	14.5	17	29.5	47	50
WQG3-M25 #/AD21.2	M25×1.5	AD21.2	27	14.5	17	29.5	47	50
WQG3-M25 #/AD25.5	M25×1.5	AD25.5	31	15	21	34	49	25
WQG3-M25 #/AD28.5	M25×1.5	AD28.5	34	16	23.5	37	50	25
WQG3-M32 #/AD28.5	M32×1.5	AD28.5	34	16	23.5	37	50	25
WQG3-M32 #/AD31.5	M32×1.5	AD31.5	37	17	26	41	53	25
WQG3-M32 #/AD34.5	M32×1.5	AD34.5	40	17	30	44	56	25
WQG3-M40 #/AD34.5	M40×1.5	AD34.5	40	17.5	30	44	56	25
WQG3-M40 #/AD42.5	M40×1.5	AD42.5	50	26	36.5	52	65	10
WQG3-M50 #/AD42.5	M50×1.5	AD42.5	50	26	36.5	52	65	10
WQG3-M50 #/AD54.5	M50×1.5	AD54.5	60	28.5	48	64	68.5	5
WQG3-M63 #/AD54.5	M63×1.5	AD54.5	60	28.5	48	64	68.5	5

WQG3-G G 制螺纹 G Thread

规格型号 Article no.	螺纹规格 Thread dimension	适配软管AD Fits to tubing size	扳手尺寸 SW wrench size	螺纹长度C Thread length	孔径 φ I mm	外径 φ B mm	长度D Total length mm	包装单位 Packet units
WQG3-G1/4 #/AD10.0	G1/4"	AD10.0	15.5	12.5	7	17	36	50
WQG3-G3/8 #/AD13.0	G3/8"	AD13.0	18	13.5	10	20	38.5	50
WQG3-G3/8 #/AD15.8	G3/8"	AD15.8	21	13.5	12	23	41	50
WQG3-G1/2 #/AD15.8	G1/2"	AD15.8	21	13.5	12	23	41	50
WQG3-G1/2 #/AD18.5	G1/2"	AD18.5	24	13.5	14.5	26	43	50
WQG3-G1/2 #/AD21.2	G1/2"	AD21.2	27	14.5	17	29.5	47	50
WQG3-G3/4 #/AD21.2	G3/4"	AD21.2	27	14.5	17	29.5	47	50
WQG3-G3/4 #/AD25.5	G3/4"	AD25.5	31	15	21	34	49	25
WQG3-G3/4 #/AD28.5	G3/4"	AD28.5	34	16	23.5	37	50	25
WQG3-G1 #/AD28.5	G1"	AD28.5	34	16	23.5	37	50	25
WQG3-G1 #/AD31.5	G1"	AD31.5	37	17	26	41	53	25
WQG3-G1 #/AD34.5	G1"	AD34.5	40	17.5	30	44	56	25
WQG3-G1 1/4 #/AD34.5	G1 1/4"	AD34.5	40	17.5	30	44	56	25
WQG3-G1 1/4 #/AD42.5	G1 1/4"	AD42.5	50	26	36.5	52	65	10
WQG3-G1 1/2 #/AD42.5	G1 1/2"	AD42.5	50	26	36.5	52	65	10
WQG3-G1 1/2 #/AD54.5	G1 1/2"	AD54.5	60	28.5	44	64	68.5	5
WQG3-G2 #/AD54.5	G2"	AD54.5	60	28.5	48	64	68.5	5

★ 订货编号: #=B(黑色)、G(深灰色)

Order number: #=B(Black)、G(Dark grey)

WQG2 内螺纹软管接头 Plastic Quick Screw Connector Conically Sealing Female Thread

- 材料: 尼龙
- 阻燃等级: V2(UL94)
- 颜色: 深灰色(RAL 7037),黑色(RAL 9005)
- 温度: -40°C~100°C, 短时达到120°C
- 防护等级: 与软管相连接处可达IP68(安装规范参考P16页)
- 性能: 自熄灭性好, 不含卤素、磷、镉, 通过RoHS测试
- 适配: 除重载型WYK软管外的所有软管

- Material: Polyamide
- Flame-retardant: V2(UL94)
- Color: Grey (RAL 7037), black (RAL 9005)
- Temperature range: Min-40°C,max100°C,short-term120°C
- Protection degree: Up to IP68 with tubing connection (Refer to page P16 for installation specifications)
- Performance: Self-extinguishing, free of halogen, phosphor and cadmium,passed RoHS
- Fit with: All tubing except heavy duty type WYK tubing



WQG2-M 公制螺纹 Metric Thread

规格型号 Article no.	螺纹规格 Thread dimension	适配软管AD Fits to tubing size	扳手尺寸 SW wrench size	螺纹长度C Thread length	孔径 φ I mm	外径 φ B mm	长度D Total length mm	包装单位 Packet units
WQG2-M10 #/AD10.0	M10×1.0	AD10.0	15.5	12.5	7	17	36	50
WQG2-M12 #/AD10.0	M12×1.5	AD10.0	15.5	12.5	7	17	36	50
WQG2-M12 #/AD13.0	M12×1.5	AD13.0	18	13	10	20	38.5	50
WQG2-M16 #/AD13.0	M16×1.5	AD13.0	18	13.5	10	20	38.5	50
WQG2-M16 #/AD15.8	M16×1.5	AD15.8	21	13.5	12	23	41	50
WQG2-M20 #/AD15.8	M20×1.5	AD15.8	21	13.5	12	23	41	50
WQG2-M20 #/AD18.5	M20×1.5	AD18.5	24	13.5	14.5	26	43	50
WQG2-M20 #/AD21.2	M20×1.5	AD21.2	27	14.5	17	29.5	47	50
WQG2-M22 #/AD21.2	M22×1.5	AD21.2	27	14.5	17	29.5	47	50
WQG2-M25 #/AD21.2	M25×1.5	AD21.2	27	14.5	17	29.5	47	50
WQG2-M25 #/AD25.5	M25×1.5	AD25.5	31	15	21	34	49	25
WQG2-M25 #/AD28.5	M25×1.5	AD28.5	34	16	23.5	37	50	25
WQG2-M32 #/AD28.5	M32×1.5	AD28.5	34	16	23.5	37	50	25
WQG2-M32 #/AD31.5	M32×1.5	AD31.5	37	17	26	41	53	25
WQG2-M32 #/AD34.5	M32×1.5	AD34.5	40	17	30	44	56	25
WQG2-M40 #/AD34.5	M40×1.5	AD34.5	40	17.5	30	44	56	25
WQG2-M40 #/AD42.5	M40×1.5	AD42.5	50	26	36.5	52	65	10
WQG2-M50 #/AD42.5	M50×1.5	AD42.5	50	26	36.5	52	65	10
WQG2-M50 #/AD54.5	M50×1.5	AD54.5	60	28.5	48	64	68.5	5
WQG2-M63 #/AD54.5	M63×1.5	AD54.5	60	28.5	48	64	68.5	5

WQG2-G G 制螺纹 G Thread

规格型号 Article no.	螺纹规格 Thread dimension	适配软管AD Fits to tubing size	扳手尺寸 SW wrench size	螺纹长度C Thread length	孔径 φ I mm	外径 φ B mm	长度D Total length mm	包装单位 Packet units
WQG2-G1/4 #/AD10.0	G1/4"	AD10.0	15.5	12.5	7	17	36	50
WQG2-G3/8 #/AD13.0	G3/8"	AD13.0	18	13.5	10	20	38.5	50
WQG2-G3/8 #/AD15.8	G3/8"	AD15.8	21	13.5	12	23	41	50
WQG2-G1/2 #/AD15.8	G1/2"	AD15.8	21	13.5	12	23	41	50
WQG2-G1/2 #/AD18.5	G1/2"	AD18.5	24	13.5	14.5	26	43	50
WQG2-G1/2 #/AD21.2	G1/2"	AD21.2	27	14.5	17	29.5	47	50
WQG2-G3/4 #/AD21.2	G3/4"	AD21.2	27	14.5	17	29.5	47	50
WQG2-G3/4 #/AD25.5	G3/4"	AD25.5	31	15	21	34	49	25
WQG2-G3/4 #/AD28.5	G3/4"	AD28.5	34	16	23.5	37	50	25
WQG2-G1 #/AD28.5	G1"	AD28.5	34	16	23.5	37	50	25
WQG2-G1 #/AD31.5	G1"	AD31.5	37	17	26	41	53	25
WQG2-G1 #/AD34.5	G1"	AD34.5	40	17.5	30	44	56	25
WQG2-G1 1/4 #/AD34.5	G1 1/4"	AD34.5	40	17.5	30	44	56	25
WQG2-G1 1/4 #/AD42.5	G1 1/4"	AD42.5	50	26	36.5	52	65	10
WQG2-G1 1/2 #/AD42.5	G1 1/2"	AD42.5	50	26	36.5	52	65	10
WQG2-G1 1/2 #/AD54.5	G1 1/2"	AD54.5	60	28.5	44	64	68.5	5
WQG2-G2 #/AD54.5	G2"	AD54.5	60	28.5	48	64	68.5	5

★ 订货编号: #=B(黑色)、G(深灰色)

Order number: #=B(Black)、G(Dark grey)

WQGM2 金属纹软管接头 Plastic Quick Screw Connector With Female Metal Thread

- 材料: 尼龙和黄铜镀镍螺纹制成
- 颜色: 深灰色(RAL 7037),黑色(RAL 9005)
- 温度: -40°C~100°C, 短时达到120°C
- 防护等级: 与软管相连接处可达IP68 (安装规范参考P16页)
- 阻燃等级: V2(UL94)
- 性能: 自熄灭性好, 不含卤素、磷、镉,通过RoHS测试
- 适配: 除重载型WYK软管外的所有软管



- Material: Polyamide with nickel-plated brass thread
- Color: Grey (RAL 7037), black (RAL 9005)
- Temperature range: Min-40°C,max100°C,short-term120°C
- Protection degree: Up to IP68 with tubing connection (Refer to page P16 for installation specifications)
- Flame-retardant: V2(UL94)
- Performance: Self-extinguishing, free of halogen, phosphor and cadmium, passed RoHS.
- Fit with: All tubing except WYK tubing

WQGM2-M 公制螺纹 Metric Thread

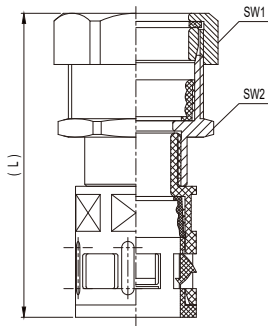
规格型号 Article no.	螺纹规格 Thread dimension	适配软管AD Fits to tubing size	扳手尺寸 SW wrench size	螺纹长度C Thread length	孔径 φI mm	外径 φB mm	长度D Total length mm	包装单位 Packet units
WQGM2-M12 #/AD10.0	M12×1.5	AD10.0	18	10	7	17	37.5	50
WQGM2-M16 #/AD13.0	M16×1.5	AD13.0	22	12	8.5	20	42	50
WQGM2-M20 #/AD15.8	M20×1.5	AD15.8	25	12	12	23	43.5	50
WQGM2-M20 #/AD21.2	M20×1.5	AD21.2	31	12	15	29.5	49	25
WQGM2-M25 #/AD21.2	M25×1.5	AD21.2	31	13	16	29.5	50	25
WQGM2-M25 #/AD28.5	M25×1.5	AD28.5	39	13	18	37	52	20
WQGM2-M32 #/AD34.5	M32×1.5	AD34.5	46	14	24	44	57	10
WQGM2-M40 #/AD42.5	M40×1.5	AD42.5	55	17	32	52	61	10
WQGM2-M50 #/AD54.5	M50×1.5	AD54.5	70	17	39	64	69	5
WQGM2-M63 #/AD54.5	M63×1.5	AD54.5	70	17	48	64	69	5

WQGM2-P 德国 PG 螺纹 German PG Thread

规格型号 Article no.	螺纹规格 Thread dimension	适配软管AD Fits to tubing size	扳手尺寸 SW wrench size	螺纹长度C Thread length	孔径 φI mm	外径 φB mm	长度D Total length mm	包装单位 Packet units
WQGM2-P07 #/AD10.0	PG7	AD10.0	18	10	7	17	37.5	50
WQGM2-P09 #/AD13.0	PG9	AD13.0	22	12	8.5	20	42	50
WQGM2-P11 #/AD15.8	PG11	AD15.8	25	12	10.5	23	43.5	50
WQGM2-P13.5 #/AD18.5	PG13.5	AD18.5	26	12	12.5	26	46.5	25
WQGM2-P16 #/AD21.2	PG16	AD21.2	31	13	14.5	29.5	50	25
WQGM2-P21 #/AD28.5	PG21	AD28.5	39	14	18.5	37	53	20
WQGM2-P29 #/AD34.5	PG29	AD34.5	46	15	25.5	44	58	10
WQGM2-P36 #/AD42.5	PG36	AD42.5	55	17	33.5	52	61	10
WQGM2-P48 #/AD54.5	PG48	AD54.5	70	20	45	64	72	5

★ 订货编号: #=B(黑色)、G(深灰色) Order number: #=B(Black)、G(Dark grey)
 同时可提供WQGM2-G管螺纹软管接头 We can supply WQGM2-G G thread connectors

KPA-Dg 金属软管接头 Connector for Steel and Plastic Tubing



- 材料: 外部一端为黄铜镀镍;另一端为尼龙; 内部芯套为TPE
- 温度: -40°C~100°C,短时达到120°C
- 防护等级: IP68 (螺纹连接处需涂螺纹密封胶), (安装规范参考P16页)
- 作用: 连接尼龙软管和钢管
- 适配: 除重载型WYK软管外的所有软管

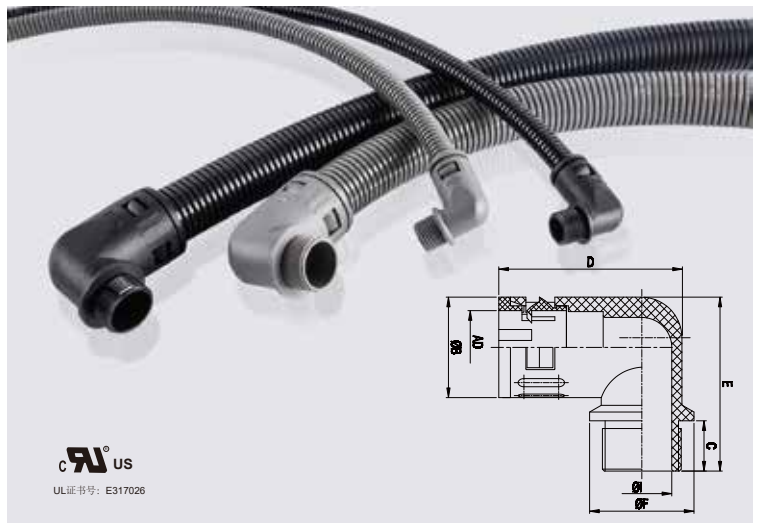
- Material: External: Nickel-plated brass with one end and polyamide with the other end Internal seal:TPE
- Temperature range: Min-40 C , max100 C , short-term120 C
- Protection degree: IP68(threaded sealant at threaded connection), (Refer to page P16 for installation specifications)
- Function: Connectors are mainly for PA tubing and steel conduit to connect
- Fit with: All tubing except heavy duty type WYK tubing

规格型号 Article no.	总长 (L) mm	扳手尺寸SW1/SW2 Wrench size	适配软管AD Fits to tubing size	钢管外径及偏差Φ And tolerance mm	包装单位 Packet units
* KPA10-Dg10	51	17/15	AD10.0	Φ10±0.5	25
* KPA13-Dg15	62	24/23	AD13.0	Φ15±0.5	16
* KPA15.8-Dg15	66	24/24	AD15.8	Φ15±0.5	16
KPA18.5-Dg25	71	36/34	AD18.5	Φ25±0.5	9
KPA21.2-Dg25	74	36/34	AD21.2	Φ25±0.5	9
KPA28.5-Dg32	75	45/42	AD28.5	Φ32±0.5	4
KPA28.5-Dg34	76.1	50/45	AD28.5	Φ34±0.5	4
KPA34.5-Dg42	81.1	55/52	AD34.5	Φ42±0.5	4
KPA42.5-Dg38	83.3	52/50	AD42.5	Φ38±0.5	4
* KPA42.5-Dg40	85.1	55/50	AD42.5	Φ40±0.5	4
KPA42.5-Dg42	84.1	55/52	AD42.5	Φ42±0.5	4
KPA54.5-Dg51	88	65/60	AD54.5	Φ51±0.5	1
* KPA54.5-Dg52	86	65/60	AD54.5	Φ52±0.5	1

WQW1 直角软管接头 Elbow Connector

- 材料:尼龙
- 阻燃等级:V2(UL94)
- 颜色:深灰色(RAL 7037),黑色(RAL 9005)
- 温度:-40°C~100°C,短时达到120°C
- 防护等级:IP66,使用合适的密封圈(O-ring/FR),
(安装规范参考P16页)
- 性能:自熄灭性好,不含卤素、磷、镉,通过RoHS测试
- 适配:除重载型WYK软管外的所有软管

- Material: Polyamide
- Color: Grey (RAL 7037), black (RAL 9005)
- Temperature Range: Min-40°C, max 100°C, short-term 120°C
- Protection degree: IP66, use appropriate sealing ring (O-ring/FR)
(Refer to page P16 for installation specifications)
- Flame-retardant: V2(UL94)
- Performance: Self-extinguishing, free of halogen, phosphor and cadmium, passed RoHS
- Fit with: All tubing except WYK tubing



WQW1-M 公制螺纹 Metric Thread

规格型号 Article no.	螺纹规格 Thread dimension	适配软管规格 Fits to tubing size	φI I D mm	φB OD mm	C Thread length	D Total length	E Total height	φF Conne- ction	包装单位 Packet units
WQW1-M10 #/AD10.0	M10×1.0	AD10.0	17	17	11.5	34	33.5	16	50
WQW1-M12 #/AD10.0	M12×1.5	AD10.0	8.5	17	11.5	34	33.5	16	50
WQW1-M12 #/AD13.0	M12×1.5	AD13.0	8	20	11.5	38.5	36	20	50
WQW1-M16 #/AD13.0	M16×1.5	AD13.0	11	20	11.5	38.5	36	20	50
WQW1-M16 #/AD15.8	M16×1.5	AD15.8	12	23	12	43.5	40.5	23	50
WQW1-M18 #/AD15.8	M18×1.5	AD15.8	14	23	12	43.5	40.5	23	50
WQW1-M20 #/AD15.8	M20×1.5	AD15.8	14	23	12	43.5	40.5	23	50
WQW1-M20 #/AD18.5	M20×1.5	AD18.5	15.5	26	13	47.5	45	27	25
WQW1-M20 #/AD21.2	M20×1.5	AD21.2	15.5	29.5	13	51.5	48	27	25
WQW1-M22 #/AD21.2	M22×1.5	AD21.2	18	29.5	13	51.5	48	27	25
WQW1-M24 #/AD21.2	M24×1.5	AD21.2	18	29.5	13	51.5	48	27	25
WQW1-M25 #/AD21.2	M25×1.5	AD21.2	18	29.5	13	51.5	48	27	25
WQW1-M25 #/AD28.5	M25×1.5	AD28.5	20.5	37	13	59	56	34	20
WQW1-M27 #/AD28.5	M27×2.0	AD28.5	21.5	37	13	59	56	34	20
WQW1-M30 #/AD28.5	M30×2.0	AD28.5	23.5	37	13	59	56	34	20
WQW1-M32 #/AD28.5	M32×1.5	AD28.5	23.5	37	13	59	56	34	20
WQW1-M32 #/AD34.5	M32×1.5	AD34.5	25	44	15	70.5	65.5	43	10
WQW1-M33 #/AD34.5	M33×2.0	AD34.5	25	44	15	70.5	65.5	43	10
WQW1-M36 #/AD34.5	M36×2.0	AD34.5	31	44	15	70.5	65.5	43	10
WQW1-M40 #/AD34.5	M40×1.5	AD34.5	31	44	15	70.5	65.5	43	5
WQW1-M40 #/AD42.5	M40×1.5	AD42.5	32	52	15	81	73.5	56	5
WQW1-M42 #/AD42.5	M42×2.0	AD42.5	36	52	15	81	73.5	56	5
WQW1-M48 #/AD42.5	M48×2.0	AD42.5	39	52	15	81	73.5	56	5
WQW1-M50 #/AD42.5	M50×1.5	AD42.5	39	52	15	81	73.5	56	5
WQW1-M50 #/AD54.5	M50×1.5	AD54.5	43	64	16	91	86.5	68	4
WQW1-M56 #/AD54.5	M56×2.0	AD54.5	48.5	64	16	91	86.5	68	4
WQW1-M60 #/AD54.5	M60×2.0	AD54.5	48.5	64	16	91	86.5	68	4
WQW1-M63 #/AD54.5	M63×1.5	AD54.5	48.5	64	16	91	86.5	68	4
WQW1-M64 #/AD54.5	M64×2.0	AD54.5	48.5	64	16	91	86.5	68	4

★ 订货编号: #=B(黑色)、G(深灰色)

Order number: #=B(Black)、G(Dark grey)

WQW1 直角软管接头 Elbow Connector

- 材料: 尼龙
- 阻燃等级: V2(UL94)
- 颜色: 深灰色(RAL 7037),黑色(RAL 9005)
- 温度: -40°C~100°C, 短时达到120°C
- 防护等级: IP66, 使用合适的密封圈(O-ring/FR)、(安装规范参考P16页)
- 性能: 自熄灭性好, 不含卤素、磷、镉等, 通过RoHS测试
- 适配: 除重载型WYK软管外的所有软管



- Material: Polyamide
- Flame-retardant: V2(UL94)
- Color: Grey (RAL 7037), black (RAL 9005)
- Temperature Range: Min-40°C, max 100°C, short-term 120°C
- Protection degree: IP66, use appropriate sealing ring (O-ring/FR), (Refer to page P16 for installation specifications)
- Performance: Self-extinguishing, free of halogen, phosphorus and cadmium, passed RoHS.
- Fit with: All tubing except WYK tubing

WQW1-P 德国PG制螺纹 German PG Thread

规格型号 Article no.	螺纹规格 Thread dimension	适配软管规格 Fits to tubing size	ΦI ID mm	ΦB OD mm	C Thread length	D Total length	E Total height	ΦF Connection	包装单位 Packet units
WQW1-P07 #/AD10.0	PG7	AD10.0	8.5	17	11.5	34	33.5	16	50
WQW1-P09 #/AD13.0	PG9	AD13.0	11	20	11.5	38.5	36	20	50
WQW1-P11 #/AD15.8	PG11	AD15.8	14	23	12	43.5	40.5	23	50
WQW1-P13.5 #/AD18.5	PG13.5	AD18.5	15.5	26	13	47.5	45	27	50
WQW1-P16 #/AD21.2	PG16	AD21.2	18	29.5	13	51.5	48	27	25
WQW1-P21 #/AD28.5	PG21	AD28.5	23.5	37	13	59	56	34	20
WQW1-P29 #/AD34.5	PG29	AD34.5	31	44	15	70.5	65.5	43	10
WQW1-P36 #/AD42.5	PG36	AD42.5	39	52	15	81	73.5	56	5
WQW1-P48 #/AD54.5	PG48	AD54.5	48.5	64	16	91	86.5	68	4

WQW1-G G制管螺纹 G Thread

规格型号 Article no.	螺纹规格 Thread dimension	适配软管规格 Fits to tubing size	ΦI ID mm	ΦB OD mm	C Thread length	D Total length	E Total height	ΦF Connection	包装单位 Packet units
WQW1-G1/4 #/AD10.0	G1/4"	AD10.0	8.5	17	11.5	34	33.5	16	50
WQW1-G3/8 #/AD13.0	G3/8"	AD13.0	11	20	11.5	38.5	36	20	50
WQW1-G3/8G/AD15.8	G3/8"	AD15.8	12	23	12	43.5	40.5	23	50
WQW1-G1/2 #/AD15.8	G1/2"	AD15.8	14	23	12	43.5	40.5	23	50
WQW1-G1/2 #/AD21.2	G1/2"	AD21.2	15.5	29.5	13	51.5	48	27	25
WQW1-G3/4 #/AD28.5	G 3/4"	AD28.5	21.5	37	13	59	56	34	20
WQW1-G1 #/AD34.5	G1"	AD34.5	25	44	15	70.5	65.5	43	10
WQW1-G1 1/4 #/AD42.5	G1 1/4"	AD42.5	36	52	15	81	73.5	56	5
WQW1-G1 1/2 #/AD54.5	G1 1/2"	AD54.5	41	64	16	91	86.5	68	4
WQW1-G2 #/AD54.5	G 2"	AD54.5	48.5	64	16	91	86.5	68	4

★ 订货编号: #=B(黑色)、G(深灰色) Order number: #=B(Black)、G(Dark grey)

WQW 直角软管接头 Elbow Connector

- 材料: 尼龙
- 阻燃等级: V2(UL94)
- 颜色: 深灰色(RAL 7037), 黑色(RAL 9005)
- 温度: -40°C~100°C, 短时达到120°C
- 防护等级: IP68, 使用合适的密封圈(O-ring/FR), (安装规范参考P16页)
- 阻燃性能: 自熄灭性好, 不含卤素、磷、镉, 通过RoHS测试
- 适配: 除重载型WYK软管外的所有软管

- Material: Polyamide
- Flame-retardant: V2(UL94)
- Color: Grey (RAL 7037), black (RAL 9005)
- Temperature range: Min-40°C, max100°C, short-term120°C
- Protection degree: IP68, use appropriate sealing ring (O-ring/FR), (Refer to page P16 for installation specifications)
- Performance: Self-extinguishing, free of halogen, phosphor and cadmium passed RoHS.
- Fit with: All tubing except WYK tubing



WQW-M 公制螺纹 Metric Thread

规格型号 Article no.	螺纹规格 Thread dimension	适配软管规格 Fits to tubing size	φ I ID mm	φ B OD mm	C Thread length	D Total length	E Total height	包装单位 Packet units
WQW-M10 #/AD10.0	M10×1.0	AD10.0	8.5	17	11.5	34	33.5	50
WQW-M12 #/AD10.0	M12×1.5	AD10.0	8.5	17	11.5	34	33.5	50
WQW-M12 #/AD13.0	M12×1.5	AD13.0	8	20	11.5	38.5	36	50
WQW-M16 #/AD13.0	M16×1.5	AD13.0	11	20	11.5	38.5	36	50
WQW-M16 #/AD15.8	M16×1.5	AD15.8	12	23	12	43.5	40.5	50
WQW-M18 #/AD15.8	M18×1.5	AD15.8	14	23	12	53.5	40.5	50
WQW-M20 #/AD15.8	M20×1.5	AD15.8	14	23	12	53.5	40.5	50
WQW-M20 #/AD18.5	M20×1.5	AD18.5	15.5	26	13	57.5	45	25
WQW-M20 #/AD21.2	M20×1.5	AD21.2	18	29.5	13	51.5	48	25
WQW-M22 #/AD21.2	M22×1.5	AD21.2	18	29.5	13	51.5	48	25
WQW-M24 #/AD21.2	M24×1.5	AD21.2	18	29.5	13	51.5	48	25
WQW-M25 #/AD21.2	M25×1.5	AD21.2	18	29.5	13	51.5	48	25
WQW-M25 #/AD28.5	M25×1.5	AD28.5	23.5	37	13	59	56	20
WQW-M27 #/AD28.5	M27×2.0	AD28.5	23.5	37	13	59	56	20
WQW-M30 #/AD28.5	M30×2.0	AD28.5	23.5	37	13	59	56	20
WQW-M32 #/AD28.5	M32×1.5	AD28.5	23.5	37	13	59	56	20
WQW-M32 #/AD34.5	M32×1.5	AD34.5	31	44	15	70.5	65.5	10
WQW-M33 #/AD34.5	M33×2.0	AD34.5	31	44	15	70.5	65.5	10
WQW-M36 #/AD34.5	M36×2.0	AD34.5	31	44	15	70.5	65.5	10
WQW-M40 #/AD34.5	M10×1.5	AD34.5	31	44	15	70.5	65.5	10
WQW-M40 #/AD42.5	M50×1.5	AD42.5	39	52	15	81	73.5	5
WQW-M42 #/AD42.5	M42×2.0	AD42.5	39	52	15	81	73.5	5
WQW-M48 #/AD42.5	M48×2.0	AD42.5	39	52	15	81	73.5	5
WQW-M50 #/AD42.5	M50×1.5	AD42.5	39	52	15	81	73.5	5
WQW-M50 #/AD54.5	M50×1.5	AD54.5	43	64	16	91	86.5	4
WQW-M56 #/AD54.5	M56×2.0	AD54.5	48.5	64	16	91	86.5	4
WQW-M60 #/AD54.5	M60×2.0	AD54.5	48.5	64	16	91	86.5	4
WQW-M63 #/AD54.5	M64×1.5	AD54.5	48.5	64	16	91	86.5	4
WQW-M64 #/AD54.5	M64×2.0	AD54.5	48.5	64	16	91	86.5	4

★ 订货编号: #=B(黑色)、G(深灰色)

Order number: #=B(Black)、G(Dark grey)

WQW 直角软管接头 Elbow Connector

- 材料: 尼龙
- 阻燃等级: V2(UL94)
- 颜色: 深灰色(RAL 7037), 黑色(RAL 9005)
- 温度: -40°C~100°C, 短时达到120°C
- 防护等级: IP68, 使用合适的密封圈 (O-ring/FR), (安装规范参考P16页)
- 阻燃性能: 自熄灭性好, 不含卤素、磷、镉, 通过RoHS测试
- 适配: 除重载型WYK软管外的所有软管



- Material: Polyamide
- Flame-retardant: V2(UL94)
- Color: Grey (RAL 7037), black (RAL 9005)
- Temperature range: Min-40°C, max 100°C, short-term 120°C
- Protection degree: IP68, use appropriate sealing ring (O-ring/FR), (Refer to page P16 for installation specifications)
- Performance: Self-extinguishing, free of halogen, phosphor and cadmium passed RoHS.
- Fit with: All tubing except WYK tubing

WQW-P 德国PG制螺纹 German PG Thread

规格型号 Article no.	螺纹规格 Thread Dimension	适配软管规格 Fits to Tubing size	φ I ID mm	φ B OD mm	C Thread Length	D Total Length	E Total Height	包装单位 Packet Units
WQW-P07 #/AD10.0	PG7	AD10.0	8.5	17	11.5	34	33.5	50
WQW-P09 #/AD13.0	PG9	AD13.0	11	20	11.5	38.5	36	50
WQW-P11 #/AD15.8	PG11	AD15.8	14	23	12	43.5	40.5	50
WQW-P13.5 #/AD18.5	PG13.5	AD18.5	15.5	26	13	47.5	45	50
WQW-P16 #/AD21.2	PG16	AD21.2	18	29.5	13	51.5	48	25
WQW-P21 #/AD28.5	PG21	AD28.5	23.5	37	13	59	56	20
WQW-P21 #/AD28.5	PG29	AD34.5	31	44	15	70.5	65.5	10
WQW-P36 #/AD42.5	PG36	AD42.5	39	52	15	81	73.5	5
WQW-P48 #/AD54.5	PG48	AD54.5	48.5	64	16	91	86.5	4

WQW-G G制管螺纹 G Thread

规格型号 Article no.	螺纹规格 Thread Dimension	适配软管规格 Fits to Tubing Size	φ I ID mm	φ B OD mm	C Thread Length	D Total Length	E Total Height	包装单位 Packet Units
WQW-G1/4 #/AD10.0	G1/4"	AD10.0	8.5	17	11.5	34	33.5	50
WQW-G3/8 #/AD13.0	G3/8"	AD13.0	11	20	11.5	38.5	36	50
WQW-G3/8 #/AD15.8	G3/8"	AD15.8	12	23	12	43.5	40.5	50
WQW-G1/2 #/AD15.8	G1/2"	AD15.8	14	23	12	43.5	40.5	50
WQW-G1/2 #/AD21.2	G1/2"	AD21.2	15.5	29.5	13	51.5	48	25
WQW-G3/4 #/AD28.5	G 3/4"	AD28.5	21.5	37	13	59	56	20
WQW-G1 #/AD34.5	G1"	AD34.5	25	44	15	70.5	65.5	10
WQW-G1 1/4 #/AD42.5	G1 1/4"	AD42.5	36	52	15	81	73.5	5
WQW-G1 1/2 #/AD54.5	G1 1/2"	AD54.5	41	64	16	91	86.5	4
WQW-G2 #/AD54.5	G 2"	AD54.5	48.5	64	16	91	86.5	4

★ 订货编号: #=B(黑色)、G(深灰色)

Order number: #=B(Black)、G(Dark grey)

WQBW1 90° 软管接头 90° Bend Connector

- 材料: 尼龙
 - 阻燃等级: V2(UL94)
 - 颜色: 深灰色(RAL 7037), 黑色(RAL 9005)
 - 温度: -40°C~100°C, 短时达120°C
 - 防护等级: IP66, 使用合适的密封圈(O-ring/FR), (安装规范参考P16页)
 - 阻燃性能: 自熄灭性好, 不含卤素、磷、镉等, 通过RoHS测试
 - 适配: 除重载型WYK软管外的所有软管
-
- Material: Polyamide
 - Flame-retardant: V2(UL94)
 - Color: Grey (RAL 7037), black (RAL 9005)
 - Temperature Range: Min -40°C, max 100°C, short-term 120°C
 - Protection degree: IP66, use appropriate sealing ring (O-ring/FR), (Refer to page P16 for installation specifications)
 - Performance: Self-extinguishing, free of halogen, phosphor and cadmium, passed RoHS
 - Fit with: All tubing except WYK tubing



WQBW1-M 公制螺纹 Metric Thread

规格型号 Article no.	螺纹规格 Thread	适配软管规格 Fits Totubing Size	φ I mm	φ B mm	C mm	E mm	D mm	SW1/SW2 mm	包装单位 Packet Units
WQBW1-M12 #/AD10.0	M12×1.5	AD10.0	6.5	17	12	46	60	12/14	50
WQBW1-M16 #/AD13.0	M16×1.5	AD13.0	9.5	20	12	47	63	14/20	50
WQBW1-M16 #/AD15.8	M16×1.5	AD15.8	10.5	23	12	49	68	15/22	50
WQBW1-M18 #/AD15.8	M18×1.5	AD15.8	10.5	23	12	49	68	15/22	50
WQBW1-M20 #/AD18.5	M20×1.5	AD18.5	14	26	13	53	72	18/22	50
WQBW1-M20 #/AD21.2	M20×1.5	AD21.2	14	29.5	13	55	77	18/22	25
WQBW1-M22 #/AD21.2	M22×1.5	AD21.2	14	29.5	13	55	77	18/22	25
WQBW1-M24 #/AD21.2	M24×1.5	AD21.2	17.5	29.5	13	55	77	22/22	25
WQBW1-M25 #/AD21.2	M25×1.5	AD21.2	17.5	29.5	13	55	77	22/22	25
WQBW1-M25 #/AD28.5	M25×1.5	AD28.5	18	37	13	68	93	22/32	20
WQBW1-M27 #/AD28.5	M27×2.0	AD28.5	18	37	13	68	93	22/32	20
WQBW1-M30 #/AD28.5	M30×2.0	AD28.5	22.5	37	13	68	93	27/36	20
WQBW1-M32 #/AD28.5	M32×1.5	AD28.5	22.5	37	13	68	93	27/36	20
WQBW1-M32 #/AD34.5	M32×1.5	AD34.5	24	44	15	78	112	28/42	10
WQBW1-M33 #/AD34.5	M33×2.0	AD34.5	24	44	15	78	112	28/42	10
WQBW1-M36 #/AD34.5	M36×2.0	AD34.5	24	44	15	78	112	28/42	10
WQBW1-M40 #/AD34.5	M40×1.5	AD34.5	30.5	44	15	78	112	36/46	10
WQBW1-M40 #/AD42.5	M40×1.5	AD42.5	30.5	52	15	81	115	37/50	5
WQBW1-M42 #/AD42.5	M42×2.0	AD42.5	30.5	52	15	81	115	37/50	5
WQBW1-M48 #/AD42.5	M48×2.0	AD42.5	36.5	52	15	81	115	43/55	5
WQBW1-M50 #/AD42.5	M50×1.5	AD42.5	36.5	52	15	81	115	43/55	5
WQBW1-M50 #/AD54.5	M50×1.5	AD54.5	39	64	16	96	130	45/55	4
WQBW1-M56 #/AD54.5	M56×2.0	AD54.5	48.5	64	16	96	130	55/65	4
WQBW1-M60 #/AD54.5	M60×2.0	AD54.5	48.5	64	16	96	130	55/65	4
WQBW1-M63 #/AD54.5	M63×1.5	AD54.5	48.5	64	16	96	130	55/65	4
WQBW1-M64 #/AD54.5	M64×2.0	AD54.5	48.5	64	16	96	130	55/65	4

WQBW1-G G制螺纹 G Thread

规格型号 Article no.	螺纹规格 Thread	适配软管规格 Fits Totubing Size	φ I mm	φ B mm	C mm	E mm	D mm	SW1/SW2 mm	包装单位 Packet Units
WQBW1-G1/4 #/AD10.0	G1/4"	AD10.0	6.5	17	12	46	60	12/14	50
WQBW1-G3/8 #/AD13.0	G3/8"	AD13.0	9.5	20	12	47	63	14/17	50
WQBW1-G3/8 #/AD15.8	G3/8"	AD15.8	10.5	23	12	49	68	15/20	50
WQBW1-G1/2 #/AD18.5	G1/2"	AD18.5	14	26	13	53	72	18/22	50
WQBW1-G1/2 #/AD21.2	G1/2"	AD21.2	14	29.5	13	55	77	18/22	25
WQBW1-G3/4 #/AD28.5	G3/4"	AD28.5	18	37	13	68	93	22/32	20
WQBW1-G1 #/AD34.5	G1"	AD34.5	24	44	15	78	112	28/42	10
WQBW1-G1 1/4 #/AD42.5	G1 1/4"	AD42.5	30.5	52	15	81	115	37/50	5
WQBW1-G1 1/2 #/AD54.5	G1 1/2"	AD54.5	39	64	16	96	130	45/55	4
WQBW1-G2 #/AD54.5	G2"	AD54.5	48.5	64	16	96	130	55/65	4

★ 订货编号: #=B(黑色)、G(深灰色) Order number: #=B(Black)、G(Dark grey)

WQBW 90° 软管接头 90° Bend Connector

- 材料: 尼龙
- 阻燃等级: V2(UL94)
- 颜色: 深灰色(RAL 7037), 黑色(RAL 9005)
- 温度: -40°C~100°C, 短时达120°C
- 防护等级: IP68, 使用合适的密封圈(FR), (安装规范参考P16页)
- 阻燃性能: 自熄灭性好, 不含卤素、磷、镉, 通过RoHS测试
- 适配: 除重载型WYK软管外的所有软管



- Material: Polyamide
- Flame-retardant: V2(UL94)
- Color: Grey (RAL 7037), black (RAL 9005)
- Temperature range: Min-40°C, max100°C, short-term120°C
- Protection degree: IP68, using suitable seals (FR) (Refer to page P16 for installation specifications)
- Flame-retardant: Self-extinguishing, free of halogen, phosphor and cadmium, passed RoHS.
- Fit with: All tubing except WYK tubing

WQBW-M 公制螺纹 Metric Thread

规格型号 Article no.	螺纹规格 Thread	适配软管规格 Fits Totubing Size	φI mm	φB mm	C mm	E mm	D mm	SW1/SW2 mm	包装单位 Packet Units
WQBW-M12 #/AD10.0	M12×1.5	AD10.0	6.5	17	12	46	60	12/14	50
WQBW-M16 #/AD13.0	M16×1.5	AD13.0	9.5	20	12	47	63	14/17	50
WQBW-M16 #/AD15.8	M16×1.5	AD15.8	10.5	23	12	49	68	15/20	50
WQBW-M18 #/AD15.8	M18×1.5	AD15.8	10.5	23	12	49	68	15/20	50
WQBW-M20 #/AD18.5	M20×1.5	AD18.5	14	26	13	53	72	18/28	50
WQBW-M20 #/AD21.2	M20×1.5	AD21.2	14	29.5	13	55	77	18/28	25
WQBW-M25 #/AD21.2	M22×1.5	AD21.2	14	29.5	13	55	77	18/28	25
WQBW-M25 #/AD21.2	M24×1.5	AD21.2	17.5	29.5	13	55	77	22/28	25
WQBW-M25 #/AD21.2	M25×1.5	AD21.2	17.5	29.5	13	55	77	22/28	25
WQBW-M25 #/AD28.5	M25×1.5	AD28.5	18	37	13	68	93	22/32	20
WQBW-M27 #/AD28.5	M27×2.0	AD28.5	18	37	13	68	93	22/32	20
WQBW-M30 #/AD28.5	M30×2.0	AD28.5	22.5	37	13	68	93	27/36	20
WQBW-M32 #/AD28.5	M32×1.5	AD28.5	22.5	37	13	68	93	27/36	20
WQBW-M32 #/AD34.5	M32×1.5	AD34.5	24	44	15	78	112	28/42	10
WQBW-M33 #/AD34.5	M33×2.0	AD34.5	24	44	15	78	112	28/42	10
WQBW-M36 #/AD34.5	M36×2.0	AD34.5	24	44	15	78	112	28/42	10
WQBW-M40 #/AD34.5	M40×1.5	AD34.5	30.5	44	15	78	112	36/46	10
WQBW-M40 #/AD42.5	M40×1.5	AD42.5	30.5	52	15	81	115	37/50	5
WQBW-M42 #/AD42.5	M42×2.0	AD42.5	30.5	52	15	81	115	37/50	5
WQBW-M48 #/AD42.5	M48×2.0	AD42.5	36.5	52	15	81	115	43/55	5
WQBW-M50 #/AD42.5	M50×1.5	AD42.5	36.5	52	15	81	115	43/55	5
WQBW-M50 #/AD54.5	M50×1.5	AD54.5	39	64	16	96	130	45/55	4
WQBW-M56 #/AD54.5	M65×2.0	AD54.5	48.5	64	16	96	130	55/65	4
WQBW-M60 #/AD54.5	M60×2.0	AD54.5	48.5	64	16	96	130	55/65	4
WQBW-M63 #/AD54.5	M63×1.5	AD54.5	48.5	64	16	96	130	55/65	4
WQBW-M64 #/AD54.5	M64×2.0	AD54.5	48.5	64	16	96	130	55/65	4

WQBW-G G制螺纹 G Thread

规格型号 Article no.	螺纹规格 Thread	适配软管规格 Fits Totubing Size	φI mm	φB mm	C mm	E mm	D mm	SW1/SW2 mm	包装单位 Packet Units
WQBW-G1/4 #/AD10.0	G1/4"	AD10.0	6.5	17	12	46	60	12/14	50
WQBW-G3/8 #/AD13.0	G3/8"	AD13.0	9.5	20	12	47	63	12/17	50
WQBW-G3/8 #/AD15.8	G3/8"	AD15.8	10.5	23	12	49	68	15/20	50
WQBW-G1/2 #/AD18.5	G1/2"	AD18.5	14	26	13	53	72	18/22	50
WQBW-G1/2 #/AD21.2	G1/2"	AD21.2	14	29.5	13	55	77	18/22	55
WQBW-G3/4 #/AD28.5	G3/4"	AD28.5	18	37	13	68	93	22/32	20
WQBW-G1 #/AD34.5	G1"	AD34.5	24	44	15	78	112	28/42	10
WQBW-G1 1/4 #/AD42.5	G1 1/4"	AD42.5	30.5	52	15	81	115	37/50	5
WQBW-G1 1/2 #/AD54.5	G1 1/2"	AD54.5	39	64	16	96	130	45/55	4
WQBW-G2 #/AD54.5	G2"	AD54.5	48.5	64	16	96	127	55/65	4

★ 订货编号: #=B(黑色)、G(深灰色)

Order number: #=B(Black)、G(Dark grey)

WQBM 90° 软管接头 90° With Metal Thread

- 材料: 尼龙和青铜镀镍螺纹制成
- 颜色: 深灰色(RAL 7037), 黑色(RAL 9005)
- 温度: -40°C~100°C, 短时达120°C
- 防护等级: IP68, (安装规范参考P16页)
- 阻燃等级: V2(UL94)
- 阻燃性能: 自熄灭性好, 不含卤素、磷、镉等, 通过RoHS测试
- 特性: 极好的抗冲击强度, 极高强度的螺纹连接。
- 适配: 除重载型WYK软管外的所有软管

- Material: Polyamide with nickel-plated brass thread
- Color: Grey (RAL7037), black (RAL 9005)
- Temperature range: Min-40 °C ,max100 C short-term120 °C
- Flame-retardant: V2(UL94)
- Protection degree: IP68,(Refer to page P16 for installation specifications)
- Flame-retardant: Self-extinguishing, free of halogen,phosphor and cadmium, passed RoHS
- Properties: Excellent impact resistance,high-intensive thread connection
- Fit with: All tubing except WYK tubing



WQBM-M 公制螺纹 Metric Thread

规格型号 Article no.	螺纹规格 Thread Dimension	适配软管规格 Fits to Tubing Size	φ I ID mm	φ B OD mm	C Thread Length	F Total Height	E Total Height	S W Wrench Size	包装单位 Packet Units
WQBM-M12 #/AD10.0	M12×1.5	AD10.0	7	17	12	46	62	12/19	25
WQBM-M16 #/AD13.0	M16×1.5	AD13.0	9.5	20	12	47	66.5	14/24	25
WQBM-M16 #/AD15.8	M16×1.5	AD15.8	9.5	23	12	48	68	14/23	25
WQBM-M18 #/AD15.8	M18×1.5	AD15.8	9.5	23	12	48	68	14/23	25
WQBM-M20 #/AD18.5	M20×1.5	AD18.5	12.5	26	13	52	74.5	17/30	25
WQBM-M20 #/AD21.2	M20×1.5	AD21.2	13	29.5	10	47	73	18/28	25
WQBM-M20 #-7/AD21.2	M20×1.5	AD21.2	13	29.5	7	44	73	18/28	25
WQBM-M22 #/AD21.2	M22×1.5	AD21.2	13	29.5	10	47	73	18/28	25
WQBM-M24 #/AD21.2	M24×1.5	AD21.2	16	29.5	12	50	77	22/31	25
WQBM-M25 #/AD21.2	M25×1.5	AD21.2	16	29.5	12	50	77	22/31	25
WQBM-M25 #/AD28.5	M25×1.5	AD28.5	17	37	12	67	93	22/34	20
WQBM-M27 #/AD28.5	M27×2.0	AD28.5	17	37	12	67	93	22/34	20
WQBM-M32 #/AD34.5	M32×1.5	AD34.5	24	44	12	75	111	28/40	10
WQBM-M33 #/AD34.5	M33×2.0	AD34.5	24	44	12	75	111	28/40	10
WQBM-M40 #/AD42.5	M40×1.5	AD42.5	31.5	52	17	84.5	116.5	38/51	5
WQBM-M42 #/AD42.5	M42×2.0	AD42.5	31.5	52	17	84.5	116.5	38/51	5
WQBM-M48 #/AD42.5	M48×2.0	AD42.5	37.5	52	17	79.5	115.5	44/59	5
WQBM-M50 #/AD42.5	M50×1.5	AD42.5	37.5	52	17	79.5	115.5	44/59	5
WQBM-M50 #/AD54.5	M50×1.5	AD54.5	37.5	64	17	95.5	127	45/60	4
WQBM-M56 #/AD54.5	M56×2.0	AD54.5	46.5	64	17	95.5	132	54/70	4
WQBM-M60 #/AD54.5	M60×2.0	AD54.5	46.5	64	17	95.5	132	54/70	4
WQBM-M63 #/AD54.5	M63×1.5	AD54.5	46.5	64	17	95.5	132	54/70	4
WQBM-M64 #/AD54.5	M64×2.0	AD54.5	46.5	64	17	95.5	132	54/70	4

WQBM-G G制螺纹 G Thread

规格型号 Article no.	螺纹规格 Thread Dimension	适配软管规格 Fits to Tubing Size	φ I ID mm	φ B OD mm	C Thread Length	F Total Height	E Total Height	S W Wrench Size	包装单位 Packet Units
WQBM-G1/4 #/AD10.0	G1/4"	AD10.0	7	17	12	46	62	12/19	25
WQBM-G3/8 #/AD13.0	G3/8"	AD13.0	9.5	20	12	47	66.5	14/24	25
WQBM-G3/8 #/AD15.8	G3/8"	AD15.8	9.5	23	12	48	68	14/23	25
WQBM-G1/2 #/AD18.5	G1/2"	AD18.5	12.5	26	13	52	74.5	17/30	25
WQBM-G1/2 #/AD21.2	G1/2"	AD21.2	13	29.5	10	47	73	18/28	25
WQBM-G3/4 #/AD28.5	G3/4"	AD28.5	17	37	12	67	93	22/34	20
WQBM-G1 #/AD34.5	G1"	AD34.5	24	44	12	75	111	28/40	10
WQBM-G1 1 #/4AD42.5	G1 1/4"	AD42.5	31.5	52	17	84.5	116.5	28/51	5
WQBM-G1 1/2 #/AD54.5	G1 1/2"	AD54.5	37.5	64	17	95.5	127	45/60	4
WQBM-G2 #/AD54.5	G2"	AD54.5	46.5	64	17	95.5	132	54/70	4

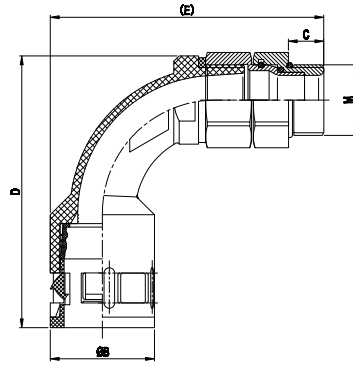
★ 订货编号: #=B(黑色)、G(深灰色)

Order number: #=B(Black)、G(Dark grey)

WQBWPT 90°带选装软管接头 90° With Optional Tubing Connector

- 材料: 尼龙和黄铜镀镍螺纹制成
- 颜色: 深灰色(RAL 7037), 黑色(RAL 9005)
- 温度: -40°C~100°C
- 防护等级: IP68, (安装规范参考P16页)
- 阻燃等级: V2(UL94)
- 适配: 除重载型WYK软管外的所有软管。其余型号均可开发

- Material: Polyamide with nickel-plated brass thread
- Color: Grey (RAL7037), black (RAL 9005)
- Temperature range:Min-40 °C ,max100 °C
- Protection degree: IP68,(Refer to page P16 for installation specifications)
- Flame-retardant: V2(UL94)
- Fit with: All tubing except WYK tubing



规格型号 Article no.	螺纹规格 Thread Dimension	适配软管规格 Fits to Tubing Size	螺纹长度C Thread Length	φB mm	D mm	(E) mm	包装单位 Packet Units
WQBWPT-M20 #/AD21.2	M20×1.5	AD21.2	10	29.5	77	77.5	10
WQBWPT-M25 #/AD28.5	M25×1.5	AD28.5	12	37	93	94.4	10
* WQBWPT-M32 #/AD34.5	M32×1.5	AD34.5	12	44	112	102.5	5
* WQBWPT-M40 #/AD34.5	M40×1.5	AD34.5	13	44	112	109.5	5
* WQBWPT-M40 #/AD42.5	M40×1.5	AD42.5	13	52	115	112.5	5

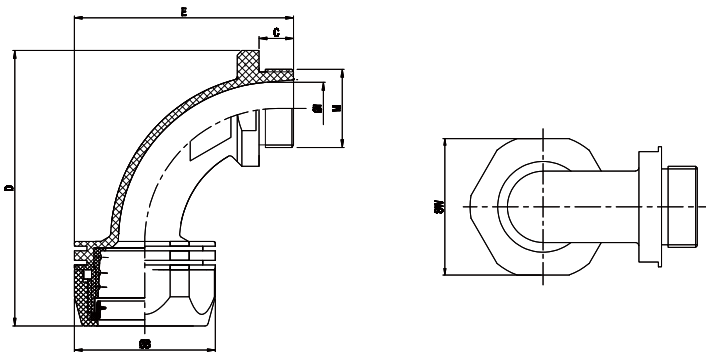
★ 订货编号: #=B(黑色)、G(深灰色)

Order number : #=B(Black)、G (Dark grey)

WQBGD 90°锁紧软管接头 90° Tubing Connector With Strain Relief

- 材料:尼龙
- 颜色:深灰色(RAL 7037),黑色(RAL 9005)
- 温度:-40°C~100°C
- 防护等级:IP69K
- 阻燃等级:V2(UL94)
- 性能:安装方便、高强度螺纹连接,搞得防水性能,高的可靠性及抗震能力。适用于我司普通软管,更适合重载型WYK软管。其余型号均可开发

- Material: Polyamide
- Color: Grey (RAL7037), black (RAL 9005)
- Temperature range: Min-40 C.,max100 C
- Flame-retardant: V2(UL94)
- Protection degree: IP69K
- Performance: Easy installation, high-strength threaded connection, high waterproof performance, high reliability and seismic resistance.Suitable for our company's ordinary tubings, more suitable for heavy-duty WYK tubings.Other models can be developed

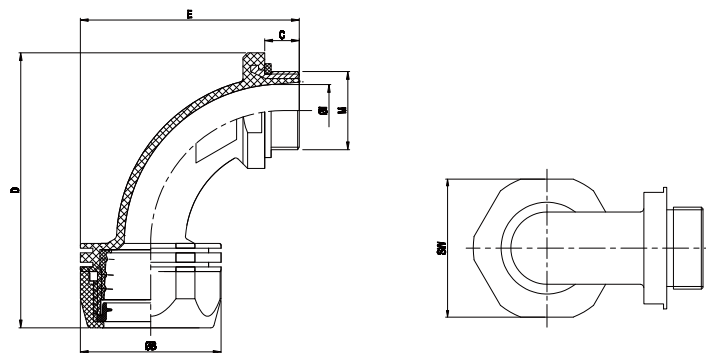


规格型号 Article no.	螺纹规格 Thread Dimension	适配软管规格 Fits to Tubing Size	螺纹长度C Thread Length	φB mm	D mm	(E) mm	扳手尺寸 Wrench Size
* WQBGD-M20 #/AD21.2	M20×1.5	AD21.2	10	37	68.5	50.7	34
* WQBGD-M25 #-11/AD28.5	M25×1.5	AD28.5	11	45	88	70	42

WQBGDM 90°金属螺纹锁紧软管接头 90° Metal Thread Tubing Connector With Strain Relief

- 材料:尼龙和黄铜镀镍螺纹制成
- 颜色:深灰色(RAL 7037),黑色(RAL 9005)
- 温度:-40°C~100°C
- 防护等级:IP69K
- 阻燃等级:V2(UL94)
- 性能:安装方便、高强度螺纹连接,搞得防水性能,高的可靠性及抗震能力。适用于我司普通软管,更适合重载型WYK软管。其余型号均可开发

- Material: Polyamide with nickel-plated brass thread
- Color: Grey (RAL7037), black (RAL 9005)
- Temperature range: Min-40 C.,max100 C
- Protection degree: IP68
- Flame-retardant: V2(UL94)
- Performance: Easy installation, high-strength threaded connection, high waterproof performance, high reliability and seismic resistance.Suitable for our company's ordinary tubings, more suitable for heavy-duty WYK tubings.Other models can be developed



规格型号 Article no.	螺纹规格 Thread Dimension	适配软管规格 Fits to Tubing Size	螺纹长度C Thread Length	φB mm	D mm	(E) mm	扳手尺寸 Wrench Size
* WQBGDM-M20 #/AD21.2	M20×1.5	AD21.2	10	37	68.5	50.7	34
* WQBGDM-M25 #-11/AD28.5	M25×1.5	AD28.5	11	45	88	70	42

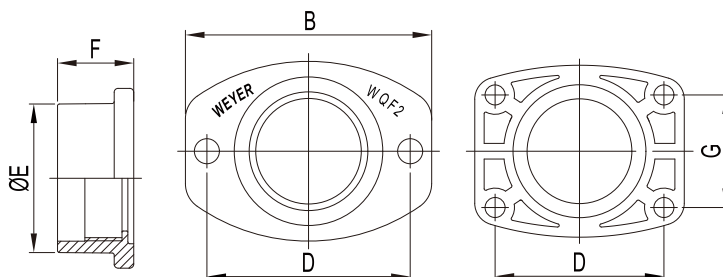
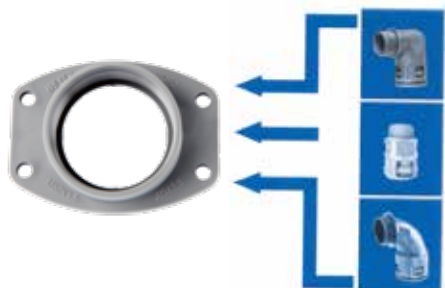
★ 订货编号: #=B(黑色)、G(深灰色)

Order number: #=B(Black)、G (Dark grey)

WQF2-M 法兰式环 Flange

- 颜色:深灰色(RAL 7037), 黑色(RAL 9005)
- 防护等级:IP67
- 性能:自熄灭性好, 不含卤素、磷、镉等,通过RoHS测试
- 特性:法兰式环与普通软管接头或直角软管接头相配组成法兰式软管接头

- Color: Grey (RAL 7037), black (RAL 9005)
- Protection degree: IP67
- Performance: Self-extinguishing, free of halogen, phosphor and cadmium, passed RoHS
- Properties: flange with general connector or elbow connector makes the flange connector



规格型号 Article no.	螺纹规格 Thread Dimension	B/C mm Flange measure ments	D Bore Distance mm	G Bore Distance mm	Φ Flange Bores mm	E Larges Length mm	F Total Height mm	包装单位 Packet Units
WQF2-M25 #	M25×1.5	46/32	36		5.4	30	16	50
WQF2-M32 #	M32×1.5	63/45	52		6.6	38	19	25
WQF2-M40 #	M40×1.5	67/55	54	36	6.6	55	18.5	10
WQF2-M50 #	M50×1.5	86/64	73	30	6.6	55	20	10
WQF2-M63 #	M63×1.5	86/70	73	30	6.6	68	20	5

★ 订货编号: #=B(黑色)、G(深灰色)

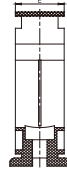
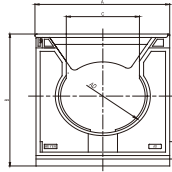
Order number : #=B(Black)、G(Dark grey)



WQSC 带盖固定座 Tubing Clamp

- 材料: 尼龙
- 阻燃等级: V2(UL94)
- 颜色: 深灰色(RAL 7037), 黑色(RAL 9005)
- 温度: -30°C~100°C短时达到120°C
- 性能: 自熄灭性好, 不含卤素、磷、镉等, 通过RoHS测试适用于软管固定

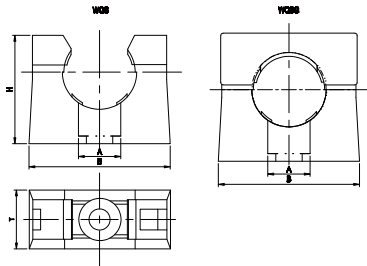
- Material: Polyamide
- Flame-retardant: V2(UL94)
- Color: Grey (RAL 7037), black (RAL 9005)
- Temperature range: Min-30°C, max100°C, short-term120°C
- Performance: Self-extinguishing, free of halogen, phosphor and cadmium, passed RoHS, for fixing the conduits



- ★ 订货编号: #=B(黑色)、G(深灰色)
Order number: #=B(Black)、G(Dark grey)

规格型号 Article no.	适配软管AD Fits to Tubing size	A mm	B mm	C mm	E mm	安装螺钉 Fixing Screw mm	包装单位 Packet Units
WQSC-AD10.0 #	AD10.0	21.5	23.5	8.2	20	M4	50
WQSC-AD13.0 #	AD13.0	26	29.5	10.5	20	M5	50
WQSC-AD15.8 #	AD15.8	26	29.5	11.7	20	M5	50
WQSC-AD18.5 #	AD18.5	32	37	14	20	M5	50
WQSC-AD21.2 #	AD21.2	32	37	16.6	20	M5	50
WQSC-AD28.5 #	AD28.5	43	50	22	20	M5	25
WQSC-AD34.5 #	AD34.5	43	51	25.5	20	M6	25
WQSC-AD42.5 #	AD42.5	64	77	35	20	M6	10
WQSC-AD54.5 #	AD54.5	64	77	40	20	M6	10

WQS/WQSG 固定座 Tubing Clamp



- 材料: 尼龙
- 颜色: 深灰色(RAL 7037), 黑色(RAL 9005)
- 温度: -30°C~100°C短时达到120°C
- 阻燃等级: V2(UL94)
- 性能: 自熄灭性好, 不含卤素、磷、镉, 通过RoHS测试适用于软管固定

- Material: Polyamide
- Color: Grey (RAL 7037), black (RAL 9005)
- Temperature range: Min-30°C, max100°C, short-term120°C
- Flame-retardant: V2(UL94)
- Performance: Self-extinguishing, free of halogen, phosphor and cadmium, passed RoHS, for fixing the conduits.

- ★ 订货编号: #=B(黑色)、G(深灰色)
Order number: #=B(Black)、G(Dark grey)
WQS固定座如图加上盖, 规格为 WQSG 轻型带盖固定座
Adding the cap to WQS, it becomes WQSG light-duty tubing clamp.



WQS



WQSG

规格型号 Article no.	适配软管AD Fits to Tubing size	A mm	B mm	H mm	T mm	安装螺钉 Fixing Screw mm	包装单位 Packet Units
WQS-AD10.0 #	AD10.0	7.5	25	23	12.5	M4	50
WQS-AD13.0 #	AD13.0	9	30	23	13	M5	50
WQS-AD15.8 #	AD15.8	9	30	23	12.5	M5	50
WQS-AD18.5 #	AD18.5	9	35	30	15	M5	50
WQS-AD21.2 #	AD21.2	11.6	35	30	15	M6	50
WQS-AD25.5 #	AD25.5	11.5	40	33.6	16	M6	50
WQS-AD28.5 #	AD28.5	11.7	42	38	16	M6	50
WQS-AD31.5 #	AD31.5	11.5	50	40	16	M6	25
WQS-AD34.5 #	AD34.5	11.5	51	43	16.3	M6	25
WQS-AD42.5 #	AD42.5	11.8	59	51	18	M6	25
WQS-AD54.5 #	AD54.5	11.6	72	65	20	M6	25

WQSD 重型带盖固定座 Heavy-Duty Tubing Clamp

- 材料: 尼龙
- 颜色: 深灰色(RAL 7037), 黑色(RAL 9005)
- 温度: -30°C~100°C, 短时达到120°C
- 阻燃等级: V2(UL94)
- 性能: 自熄灭性好, 不含卤素、磷、镉, 通过RoHS测试

- Material: Polyamide
- Color: Grey (RAL 7037), black (RAL 9005)
- Temperature range: Min-30 °C, max100 °C, short-term120 °C
- Flame-retardant: V2(UL94)
- Performance: Self-extinguishing, free of halogen, phosphor and cadmium, passed RoHS

- ★ 订货编号: #=B(黑色)、G(深灰色)
Order number: #=B(Black)、G(Dark grey)



规格型号 Article no.	适配软管AD Fits to Tubing Size	A mm	B mm	C mm	D mm	包装单位 Packet Units
WQSD-AD21.2 #	AD21.2	47.5	36	66	-	5
WQSD-AD28.5 #	AD28.5	47.5	36	66	-	5
WQSD-AD34.5 #	AD34.5	61.5	36	66	-	5
WQSD-AD42.5 #	AD42.5	61.5	36	66	-	5
WQSD-AD54.5 #	AD54.5	76	36	66	38	5
WQSD-AD67.2 #	AD67.2	87	36	78	52	5

WQSH 六孔固定座 Tubing Clamp With Six Holes

- 材料: 尼龙
- 颜色: 深灰色(RAL 7037), 黑色(RAL 9005)
- 温度: -30°C~100°C, 短时达到120°C
- 阻燃等级: V2(UL94)
- 性能: 自熄灭性好, 不含卤素、磷、镉等, 通过RoHS测试, 适用于软管固定

- Material: Polyamide
- Color: Grey (RAL 7037), black (RAL 9005)
- Temperature range: Min-30 °C, max100 °C
- Flame-retardant: V2(UL94)
- Performance: Self-extinguishing, free of halogen, phosphor and cadmium, passed RoHS, for fixing the conduits

- ★ 订货编号: #=B(黑色)、G(深灰色)
Order number: #=B(Black)、G(Dark grey)



规格型号 Article no.	适配软管AD Fits to Tubing Size	A mm	B mm	D1 mm	D2 mm	L mm	安装螺钉 Fixing Screw mm	包装单位 Packet Units
WQSH-AD21.2 #	AD21.2	36	36	25.5	23.5	35	6×M5	50
WQSH-AD28.5 #	AD28.5	44	36	25.5	23.5	35	6×M5	50
WQSH-AD34.5 #	AD34.5	52	40	35	25	46	6×M5	10
WQSH-AD42.5 #	AD42.5	63	60	41	41	53	6×M5	10
WQSH-AD54.5 #	AD54.5	78	60	56	41	68	6×M5	10

WQE 软管闷头 End Cap

- 材料:TPE
- 颜色:深灰色(RAL 7037),黑色(RAL 9005)
- 温度:-40°C~120°C,短时达到150°C
- 防护等级:IP66
- 性能:用于软管端口处电缆的密封和保护。

- Material:TPE
- Color: Grey (RAL 7037), black (RAL 9005)
- Temperature range: Min-40 °C ,max120 °C ,short-term150 °C
- Protection degree: IP66
- Properties: Used for sealing and protection of cables at tubing end

★ 订货编号: #=B(黑色)、G(深灰色)
Order number: #=B(Black)、G(Dark grey)



规格型号 Article no.	适配软管AD Fits to Tubing Size	线径范围 For Cable Cross Section mm	内孔长度D Length of inner Hole mm	总长度D1 Total Length mm	包装单位 Packet Units
WQE-AD10.0 #	AD10.0	2~8	26.5	29	50
WQE-AD13.0 #	AD13.0	3~10	28	29.5	50
WQE-AD15.8 #	AD15.8	4~12	35	36.5	50
WQE-AD18.5 #	AD18.5	4~13	35.5	37.5	50
WQE-AD21.2 #	AD21.2	6~16.5	36	37.5	50
WQE-AD25.5 #	AD25.5	6~21	37.5	39.2	20
WQE-AD28.5 #	AD28.5	6~23	38.5	40.2	20
WQE-AD31.5 #	AD31.5	6~26	39	43.2	20
WQE-AD34.5 #	AD34.5	7~29	42	44.2	20
WQE-AD42.5 #	AD42.5	10~37	43.5	46	10
WQE-AD54.5 #	AD54.5	10~47	50	52	5

WQA 软管保护套 End Cap

- 材料:尼龙
- 颜色:深灰色(RAL 7037),黑色(RAL 9005)
- 温度:-40°C~100°C,短时达到120°C
- 性能:用于软管端口处电缆的保护
- 阻燃等级:V2(UL94)

- Material: Polyamide
- Color: Grey (RAL 7037), black (RAL 9005)
- Temperature range: Min-40 °C ,max100 °C ,short-term120 °C
- Properties: for the protection of the cable of the tubing end
- Flame-retardant: V2(UL94)

★ 订货编号: #=B(黑色)、G(深灰色)
Order number: #=B(Black)、G(Dark grey)

注:可开发阻燃等级V0(UL94)的产品
The products of flame retardant grade V0 can be developed



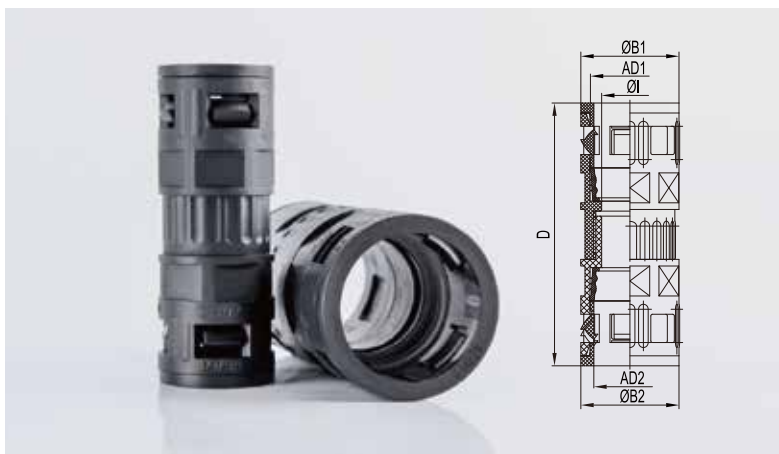
规格型号 Article no.	适配软管AD Fits to Tubing Size	φI(内径) ID mm	φB(外径) OD mm	D(高度) Height mm	包装单位 Packet Units
WQA-AD10.0 #	AD10.0	4.3	12	20	50
WQA-AD13.0 #	AD13.0	7.8	15	21	50
WQA-AD15.8 #	AD15.8	10.3	17.8	20	50
WQA-AD18.5 #	AD18.5	12.1	20.5	21	50
WQA-AD21.2 #	AD21.2	14.3	23.2	21	50
WQA-AD25.5 #	AD25.5	18.8	27.5	21	25
WQA-AD28.5 #	AD28.5	20.8	30.5	22	25
WQA-AD31.5 #	AD31.5	23.8	33.5	22	25
WQA-AD34.5 #	AD34.5	26.8	36.5	22	25
WQA-AD42.5 #	AD42.5	33.8	44.5	25	25
WQA-AD54.5 #	AD54.5	45.8	56.5	25	10
WQA-AD67.2 #	AD67.2	54	69.2	36	5

WQK-PA 软管连接件 Plastic Coupling

- 材料: 尼龙
- 颜色: 深灰色(RAL 7037), 黑色(RAL 9005)
- 温度: -40°C~100°C, 短时达到120°C
- 防护等级: IP68
- 阻燃等级: V2(UL94)
- 用途: 用于两段软管之间的连接, 非常高的抗拉强度

- Material: Polyamide
- Color: Grey (RAL 7037), black (RAL 9005)
- Temperature range: Min-40 °C, max100 °C, short-term120 °C
- Protection degree: IP68
- Flame-retardant: V2(UL94)
- Application: For the connection between two sections of tubing, very high tensile strength

★ 订货编号: #=B(黑色)、G(深灰色)
Order number: #=B(Black)、G(Dark grey)



规格型号 Article no.	适配软管 AD Fits to Tubing Size	φI mm	φB1 mm	φB2 mm	D mm	包装单位 Packet Units
WQK-PA-AD10.0 #	AD10.0-10.0	7	17	17	59	20
WQK-PA-AD13.0 #	AD13.0-13.0	10	20	20	63	20
WQK-PA-AD15.8 #	AD15.8-15.8	12	23	23	68.5	10
WQK-PA-AD18.5 #	AD18.5-18.5	14.5	26	26	72	10
WQK-PA-AD21.2 #	AD21.2-21.2	17	29.5	29.5	79	10
WQK-PA-AD25.5 #	AD25.5-25.5	20.5	34	34	82.5	10
WQK-PA-AD28.5 #	AD28.5-28.5	23.5	37	37	84	10
WQK-PA-AD31.5 #	AD31.5-31.5	26	41	41	89	10
WQK-PA-AD34.5 #	AD34.5-34.5	30	44	44	92	10
WQK-PA-AD42.5 #	AD42.5-42.5	36.5	52	52	104	5
WQK-PA-AD54.5 #	AD54.5-54.5	48	64	64	107.5	2

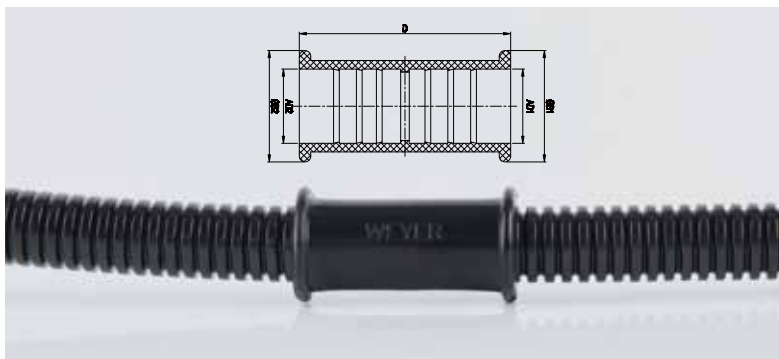
WQK 软管连接件 Plastic Coupling

- 材料: 丁腈橡胶
- 颜色: 深灰色(RAL 7037), 黑色(RAL 9005)
- 温度: -40°C~120°C, 短时达到150°C
- 防护等级: IP66
- 用途: 用于两段软管之间的连接

- Material: Nitrile Rubber
- Color: Grey (RAL 7037), black (RAL 9005)
- Temperature range: Min-40 °C, max120 °C, short-term 150 °C
- Protection degree: IP66
- Application: For connection between two sections of tubing

★ 订货编号: #=B(黑色)、G(深灰色)
Order number: #=B(Black)、G(Dark grey)

都可以开发 Article No. marked * can be developed



规格型号 Article no.	适配软管 AD1 Fits to Tubing Size	适配软管 AD2 Fits to Tubing Size	外径1 φB1 mm	外径2 φB2 mm	Total length D mm	包装单位 Packet Units
* WQK-AD10.0/10.0 #	AD10.0	AD10.0	17.5	17.5	33.5	100
WQK-AD13.0/13.0 #	AD13.0	AD13.0	19.5	19.5	36.5	100
* WQK-AD15.8/15.8 #	AD15.8	AD15.8	23	23	44.5	50
* WQK-AD18.5/18.5 #	AD18.5	AD18.5	26.5	26.5	48	50
* WQK-AD21.2/21.2 #	AD21.2	AD21.2	29.5	29.5	46	25
WQK-AD28.5/28.5 #	AD28.5	AD28.5	36.5	36.5	46	25
* WQK-AD28.5/34.5 #	AD28.5	AD34.5	42.5	36.5	48	25
* WQK-AD34.5/34.5 #	AD34.5	AD34.5	42.5	42.5	48	25
* WQK-AD 42.5/42.5 #	AD42.5	AD42.5	51	51	60	10
* WQK-AD54.5/54.5 #	AD54.5	AD54.5	63	63	70	10

WQGR 软管连接件 Plastic Connector

- 材料: 尼龙
- 颜色: 深灰色(RAL 7037), 黑色(RAL 9005)
- 温度: -40°C~100°C, 短时达到120°C
- 防护等级: IP68
- 阻燃性能: 自熄灭性好; 不含卤素、磷、镉等, 通过ROHS认证
- 特性: WQGR的AD2外端与WQK-PA两通/WQT-PA及WQY-PA三通配合使用, 可适合更多尺寸的软管

- Material: Polyamide
- Color: Grey (RAL 7037), black (RAL 9005)
- Temperature range: Min-40°C, max100°C, short-term120°C
- Protection degree: IP68
- Flame-retardant: Self-extinguishing, free of halogen, phosphor and cadmium, passed RoHS
- Properties: You can connect AD2 of WQGR with WQK-PA, WQT-PA and WQY-PA for more tubings of different size

★ 订货编号: #=B(黑色)、G(深灰色)
Order number: #=B(Black)、G(Dark grey)



规格型号 Article no.	软管规格 AD1 Fits to Tubing Size	软管规格 AD2 Fits to Tubing Size	外径 φB mm	内径 φI mm	总长 Total length D mm	包装单位 Packet Units
WQGR-13.0/10.0 #	AD10.0	AD13.0	17	7	50	10
WQGR-15.8/13.0 #	AD13.0	AD15.8	20	10	54	10
WQGR-21.2/13.0 #	AD13.0	AD21.2	20	10	58	10
WQGR-21.2/15.8 #	AD15.8	AD21.2	23	12.5	60.5	10
WQGR-28.5/13.0 #	AD13.0	AD28.5	20	10	61	10
* WQGR-28.5/15.8 #	AD15.8	AD28.5	23	12.5	60	10
WQGR-28.5/21.2 #	AD21.2	AD28.5	29.5	17	64.5	10
* WQGR-34.5/15.8 #	AD15.8	AD34.5	23	12.5	66.5	10
* WQGR-34.5/21.2 #	AD21.2	AD34.5	29.5	17	70	10
WQGR-34.5/28.5 #	AD28.5	AD34.5	37	23.5	70	10
WQGR-42.5/34.5 #	AD34.5	AD42.5	44	30	75	10
* WQGR-54.5/21.2 #	AD21.2	AD54.5	29.5	17	86	5
WQGR-54.5/42.5 #	AD42.5	AD54.5	52	37.5	84	5

WQN 软管保护环 Plastic Coupling

- 材料: 尼龙
- 颜色: 深灰色(RAL 7037), 黑色(RAL 9005)
- 温度: -40°C~100°C, 短时达到120°C
- 产品性能: 自灭性能好, 不含卤素、磷、镉, 通过RoHS测试
- 应用场合: 适合于应用在经常振动和旋转的场合能够很好地保护软管内部的电线电缆

- Material: Polyamide
- Color: Grey (RAL 7037), black (RAL 9005)
- Temperature range: Min-40°C, max100°C, short-term120°C
- Properties: Apply to frequently vibrative and revolving situation, can perfectly protect the cable inside the conduit
- Application: Suitable for use in situations of frequent vibration and rotation to protect the wires and cables inside the tubing

★ 订货编号: #=B(黑色)、G(深灰色)
Order number: #=B(Black)、G(Dark grey)

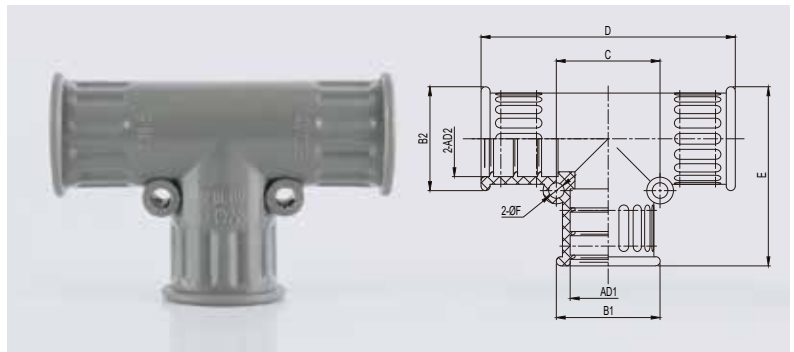


规格型号 Article no.	适配软管AD Fits to Tubing Size	A mm	B mm	C mm	D mm	包装单位 Packet Units
WQN-AD21.2 #	AD21.2	26	34	27.5	32	50
WQN-AD28.5 #	AD28.5	26	34	34	39.5	25
WQN-AD34.5 #	AD34.5	26	34	41	47	25
WQN-AD42.5 #	AD42.5	26	34	49	55	10
WQN-AD54.5 #	AD54.5	26	34	60.5	66.5	10
WQN-AD80 #	AD80	30	38	88	93.5	5

WQT T型三通 T-Distributor

- 材料: 丁腈橡胶
- 颜色: 深灰色(RAL 7037), 黑色(RAL 9005)
- 温度: -40°C~100°C, 短时达到120°C
- 防护等级: IP66

- Material: Nitrile rubber
- Color: Grey (RAL 7037), black (RAL 9005)
- Temperature range: Min-40 C ,max120 C ,short-term150 C
- Protection degree: IP66



规格型号 Article no.	软管1 AD1 mm	软管2 AD2 mm	外径1 φB1 mm	外径2 φB2 mm	总长 E mm	总宽 D mm	安装孔 φF mm	孔距 C mm	包装单位 Packet Units
WQT 10.0/2×10.0 #	10.0	2×10.0	17.5	17.5	32.5	46.5	2×4	18.3	50
WQT 13.0/2×13.0 #	13.0	2×13.0	21	21	36	51	2×4	20	25
WQT 15.8/2×15.8 #	15.8	2×15.8	24	24	43	62	2×4.5	24	25
WQT 18.5/2×18.5 #	18.5	2×18.5	26.3	26.3	48.5	71	2×4.5	26.5	25
WQT 21.2/2×21.2 #	21.2	2×21.2	29.5	29.5	50	71	2×4.5	29	10
* WQT 28.5/2×21.2 #	28.5	2×21.2	36.5	32	51	78	2×4.5	38.5	10
WQT 15.8/2×28.5 #	15.8	2×28.5	24	36.5	56	77	2×4.5	24	10
WQT 28.5/2×28.5 #	28.5	2×28.5	36	36.5	58	80	2×4.5	38	10
* WQT 34.5/2×28.5 #	34.5	2×28.5	42.5	36.5	57.5	83.5	2×4	42	5
WQT 34.5/2×34.5 #	34.5	2×34.5	42.5	42.5	64	85	2×4	42	5
WQT 42.5/2×42.5 #	42.5	2×42.5	52.5	52.5	74.5	96	2×4	52.8	5

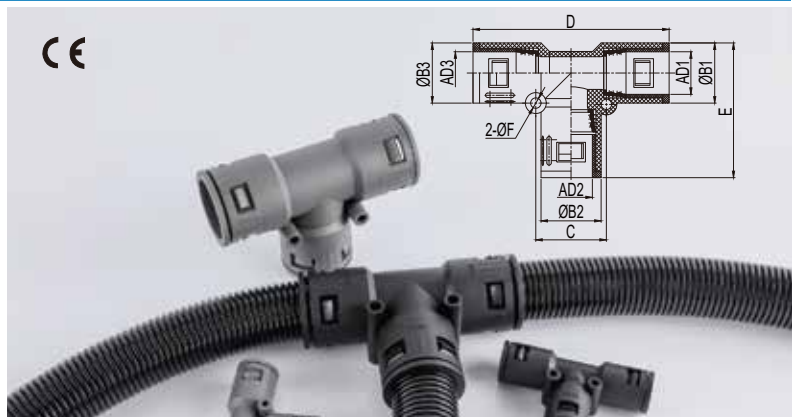
★ 订货编号: #=B(黑色)、G(深灰色) Order number: #=B(Black)、G(Dark grey)

带*号灰色暂时无法提供 Notice:the grey type with * marks are unavailable for the moment

WQT-PA T型三通 Plastic T-Distributor

- 材料: 尼龙
- 颜色: 深灰色(RAL 7037), 黑色(RAL 9005)
- 温度: -40°C~100°C, 短时达到120°C
- 防护等级: IP68

- Material: Polyamide
- Color: Grey (RAL 7037), black (RAL 9005)
- Temperature range: Min-40 C ,max100 C ,short-term120 C
- Protection degree: IP68



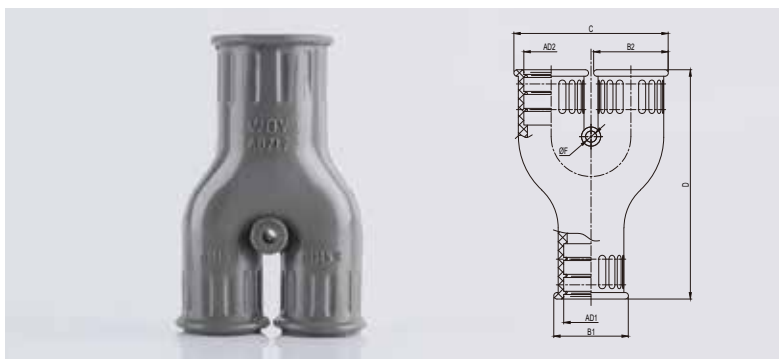
规格型号 Article no.	软管2 AD2 mm	软管1/3 AD1/3 mm	外径2 φB2 mm	外径1/3 φB1/3 mm	总长 E mm	总宽 D mm	安装孔 φF mm	孔距 C mm	包装单位 Packet Units
WQT-PA-AD13.0/2×13.0 #	13.0	2×13.0	20	20	46.5	71	2×4	20	25
WQT-PA-AD15.8/2×15.8 #	15.8	2×15.8	23	23	51.5	80	2×4	23	25
WQT-PA-AD21.2/2×21.2 #	21.2	2×21.2	29.5	29.5	66	93.5	2×6.5	27	10
WQT-PA-AD28.5/2×21.2 #	28.5	2×21.2	37	29.5	68.2	99.5	2×6.5	34	10
WQT-PA-AD28.5/2×28.5 #	28.5	2×28.5	37	37	75	106	2×6.5	34	10
WQT-PA-AD34.5/2×34.5 #	34.5	2×34.5	44	44	85	119	2×6.5	43	5
WQT-PA-AD34.5/2×28.5 #	34.5	2×28.5	44	37	78	113	2×6.5	42	5
WQT-PA-AD42.5/2×42.5 #	42.5	2×42.5	52	52	94	134	2×6.5	50	5
WQT-PA-AD54.5/2×54.5 #	54.5	2×54.5	64	64	105	146	2×6.5	61	2

★ 订货编号: #=B(黑色)、G(深灰色) Order number: #=B(Black)、G(Dark grey)

WQY Y型三通 Y-Distributor

- 材料:丁腈橡胶
- 颜色:深灰色(RAL 7037),黑色(RAL 9005)
- 温度:-40°C~100°C,短时达到120°C
- 防护等级:IP66

- Material: Nitrile Rubber
- Color: Grey (RAL 7037), black (RAL 9005)
- Temperature range: Min-40 °C ,max120 °C ,short-term150 °C
- Protection degree: IP66



规格型号 Article no.	软管1 AD1 mm	软管2 AD2 mm	外径1 φB1 mm	外径2 φB2 mm	总长 D mm	总宽 C mm	安装孔 φF mm	包装单位 Packet Units
* WQY-AD 10.0/2×10.0 #	10.0	2×10.0	17.5	17.5	54.5	36.5	1×4	25
WQY-AD 21.2/2×15.8 #	21.2	2×15.8	29.5	24	75	52	1×4	25
* WQY-AD 28.5/2×15.8 #	28.5	2×15.8	36.5	25	75	52	1×4	20
WQY-AD 18.5/2×18.5 #	18.5	2×18.5	26.5	26.5	81	54.5	1×4	20
WQY-AD 21.2/2×21.2 #	21.2	2×21.2	31	31.5	75	64.5	1×4	10
WQY-AD 28.5/2×21.2 #	28.5	2×21.2	36.5	29.5	81	60.5	1×4	10
WQY-AD 34.5/2×28.5 #	34.5	2×28.5	42.5	36.5	86	77	1×4	5
WQY-AD 42.5/2×34.5 #	42.5	2×34.5	52.5	42.5	98.5	89	1×4	5
* WQY-AD 54.5/2×42.5 #	54.5	2×42.5	65.5	52.5	116	109.5	1×4	5

★ 订货编号: #=B(黑色)、G(深灰色)

Order number: #=B(Black)、G(Dark grey)

WQY-PA Y型三通 Plastic Y-Distributor

- 材料:尼龙
- 颜色:深灰色(RAL 7037),黑色(RAL 9005)
- 温度:-40°C~100°C,短时达到120°C
- 防护等级:IP68

- Material: Polyamide
- Color: Grey (RAL 7037), black (RAL 9005)
- Temperature range: Min-40 °C ,max115 °C ,short-term150 °C
- Protection degree: IP68



规格型号 Article no.	软管1 AD1 mm	软管2 AD2 mm	外径 φB1 mm	外径 φB2 mm	总长 D mm	总宽 C mm	安装孔 φF mm	孔间距 E mm	包装单位 Packet Units
WQY-PA 13.0/2×10.0 #	13.0	2×10.0	20	17	68	36	1×4	-	25
WQY-PA 13.0/2×13.0 #	13.0	2×13.0	20	20	70	42	1×4	-	25
WQY-PA 15.8/2×13.0 #	15.8	2×13.0	23	20	71	42	1×4	-	25
WQY-PA 15.8/2×15.8 #	15.8	2×15.8	23	23	79	74	1×4	-	25
WQY-PA 21.2/2×13.0 #	21.2	2×13.0	29.5	20	73.5	42	1×4	-	25
WQY-PA 21.2/2×15.8 #	21.2	2×15.8	29.5	23	87	47	2×6.5	33	20
WQY-PA 28.5/2×21.2 #	28.5	2×21.2	37	29.5	99	60	2×6.5	38.5	10
WQY-PA 34.5/2×28.5 #	34.5	2×28.5	44	37	106	75	2×6.5	47	5
WQY-PA 42.5/2×34.5 #	42.5	2×34.5	52	44	126	90	2×6.5	49	5
WQY-PA 54.5/2×42.5 #	54.5	2×42.5	64	52	130	106	2×6.5	62	5

★ 订货编号: #=B(黑色)、G(深灰色)

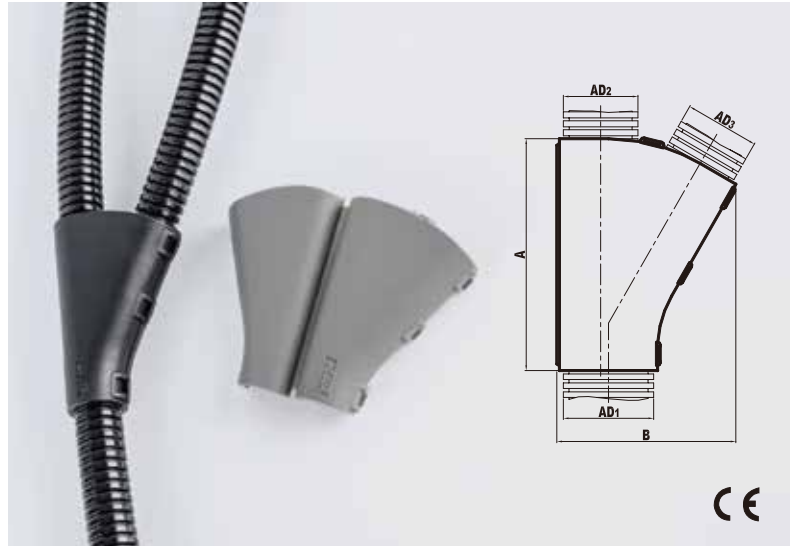
Order number: #=B(Black)、G(Dark grey)

带*号灰色暂时无法提供 Notice:the grey type with * marks are unavailable for the moment

SVY 可开式 V 型三通 Openable V-Distributor

- 材料:PA
- 颜色:深灰色(RAL 7037),黑色(RAL 9005)
- 温度:-30°C~100°C,短时达到120°C
- 防护等级:IP40
- 性价比:价格便宜,装拆方便

- Material: PA
- Color: Grey (RAL 7037), black (RAL 9005)
- Temperature range: Min-30 °C ,max100 °C ,short-term120 °C
- Protection degree: IP40
- Price and quality ratio: cheap while easy to install and uninstall



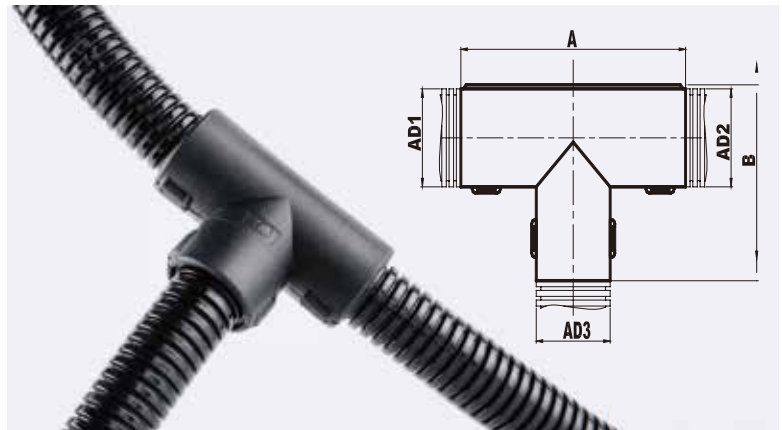
规格型号 Article no. 灰色Grey	规格型号 Article no. 黑色Black	适配软管规格 Tubing Article AD1/AD2/AD3	A mm	B mm	包装单位 Packet Units
* SVY-101010G	SVY-101010B	10.0/10.0/10.0	55	37	50
* SVY-131010G	SVY-131010B	13.0/10.0/10.0	55	37.24	50
* SVY-131310G	SVY-131310B	13.0/13.0/10.0	55	36.1	50
SVY-131313G	SVY-131313B	13.0/13.0/13.0	55	37.4	50
* SVY-161310G	SVY-161310B	15.8/13.0/10.0	55.5	38.5	50
SVY-161313G	SVY-161313B	15.8/13.0/13.0	55.5	39.8	50
* SVY-161610G	SVY-161610B	15.8/15.8/10.0	55.5	39.8	50
* SVY-161613G	SVY-161613B	15.8/15.8/13.0	55.5	39.8	50
* SVY-211010G	SVY-211010B	21.2/10.0/10.0	42.3	39.8	50
* SVY-211310G	* SVY-211310B	21.2/13.0/10.0	43.2	41	50
SVY-211313G	SVY-211313B	21.2/13.0/13.0	43	37	50
* SVY-211610G	* SVY-211610B	21.2/15.8/10.0	48.2	39.6	50
SVY-211613G	SVY-211613B	21.2/15.8/13.0	52	41.3	50
* SVY-212110G	SVY-212110B	21.2/21.2/10.0	57.9	44.9	50
SVY-212113G	SVY-212113B	21.2/21.2/13.0	58.5	45	50
SVY-212116G	SVY-212116B	21.2/21.2/15.8	65	48.7	25
SVY-282113G	SVY-282113B	28.5/21.2/13.0	54	50.1	20
SVY-282116G	SVY-282116B	28.5/21.2/15.8	54.5	48.7	20
SVY-282813G	SVY-282813B	28.5/28.5/13.0	68	53.7	20
* SVY-282816G	SVY-282816B	28.5/28.5/15.8	67	56.5	20
SVY-282821G	SVY-282821B	28.5/28.5/21.2	77	60.2	20
SVY-342828G	SVY-342828B	34.5/28.5/28.5	88	68	20

★ 带*号灰色暂时无法提供 Notice:the grey type with * marks are unavailable for the moment

SVT 可开式T型三通 Openable T-Distributor

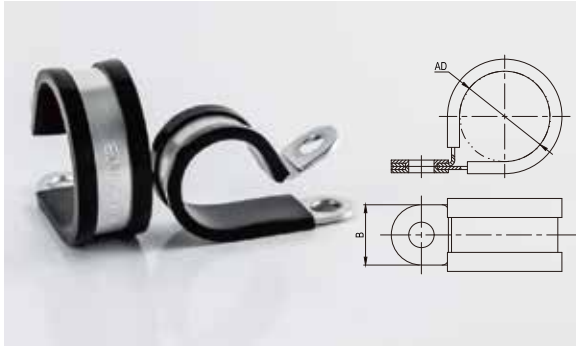
- 材料:PA
- 颜色:黑色 (RAL 9005)
- 防护等级:IP40
- 温度: -30°C~100°C,短时达到120°C

- Material: PA
- Color: Black (RAL 9005)
- Protection degree: IP40
- Temperature range: Min-30°C ,max100°C ,short-term120°C



规格型号 Article no. 黑色Black	适配软管规格 Tubing Article AD1/AD2/AD3	A mm	B mm	包装单位 Packet Units
SVT101010B	10.0/10.0/10.0	45.2	31.1	10
* SVT101013B	10.0/10.0/13.0	45.2	31.1	10
SVT131010B	13.0/10.0/10.0	45.2	31.1	10
* SVT131013B	13.0/10.0/13.0	45.2	31.1	10
* SVT131016B	13.0/10.0/15.8	45.2	31.1	10
SVT131310B	13.0/13.0/10.0	45.2	31.1	10
SVT131313B	13.0/13.0/13.0	45.2	31.1	10
* SVT131316B	13.0/13.0/15.8	45.2	31.1	10
* SVT161310B	15.8/13.0/10.0	49.1	34.8	10
SVT161313B	15.8/13.0/13.0	49.1	34.8	10
* SVT161316B	15.8/13.0/15.8	49.1	34.8	10
* SVT161321B	15.8/13.0/21.2	49.1	34.8	10
SVT161613B	15.8/15.8/13.0	49.1	34.8	10
* SVT161616B	15.8/15.8/15.8	49.1	34.8	10
* SVT161621B	15.8/15.8/21.2	49.1	34.8	10
SVT211316B	21.2/13.0/15.8	56.5	41	10
* SVT211321B	21.2/13.0/21.2	56.5	41	10
SVT211613B	21.2/15.8/13.0	56.5	41	10
SVT211616B	21.2/15.8/15.8	56.5	41	10
SVT211621B	21.2/15.8/21.2	56.5	41	10
SVT212113B	21.2/21.2/13.0	56.5	41	10
* SVT212116B	21.2/21.2/15.8	56.5	41	10
SVT212121B	21.2/21.2/21.2	56.5	41	10
SVT282113B	28.5/21.2/13.0	64.5	48.6	10
SVT282116B	28.5/21.2/15.8	64.5	48.6	10
SVT282121B	28.5/21.2/21.2	64.5	48.6	10
* SVT282813B	28.5/28.5/13.0	64.5	48.6	10
SVT282816B	28.5/28.5/15.8	64.5	48.6	10
SVT282821B	28.5/28.5/21.2	64.5	48.6	10
SVT282828B	28.5/28.5/28.5	64.5	48.6	10
* SVT342821B	34.5/28.5/21.2	72	55.3	10
* SVT343416B	34.5/34.5/15.8	64.5	48.6	10
SVT343421B	34.5/34.5/21.2	64.5	48.6	10
* SVT343434B	34.5/34.5/34.5	64.5	48.6	10

SKM 紧固夹 Tubing-Clamp

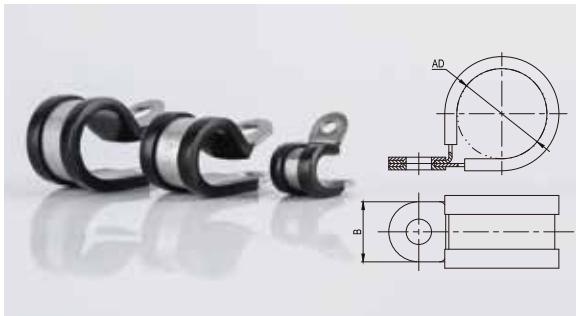


- 材质: 铁皮镀锌+硅橡胶
- 温度: -40°C~200°C
- 应用场合: 适合于软管的固定. 弹性材料具有很好的抗老化性能

- Material: Galvanized steel and silicone rubber
- Temperature range: Min-40 C., max200 C,
- Applications: It is applied to fix the tubing and its elastic material has excellent ageing-resistant property

规格型号 Article no.	适配软管AD Fits to Tubing Size	安装螺钉 Fixing Screw	宽度B Width(mm)	包装单位 Packet Units
SKM-AD10.0	AD10.0	M4	9	100
SKM-AD13.0	AD13.0	M4	9	100
SKM-AD15.8	AD15.8	M4	9	100
SKM-AD18.5	AD18.5	M4	9	50
SKM-AD21.2	AD21.2	M4	9	50
SKM-AD21.2/M5	AD21.2	M5	13	50
* SKM-AD25.5	AD25.5	M5	13	25
SKM-AD28.5	AD28.5	M5	13	25
SKM-AD31.5	AD31.5	M5	13	25
SKM-AD31.5/M6	AD31.5	M6	13	25
SKM-AD34.5	AD34.5	M6	13	25
SKM-AD42.5	AD42.5	M6	13	20
SKM-AD54.5	AD54.5	M6	13	20
SKM-AD60	AD60	M6	13	10
* SKM-AD67.2	AD67.2	M6	13	10

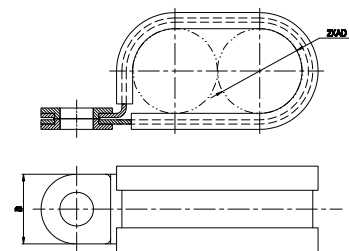
SKM.D 不锈钢紧固夹 Tubing-Clamp With Stainless Steel



- 材质: 不锈钢+硅橡胶
- 温度: -40°C~200°C
- 应用场合: 适合于软管的固定. 弹性材料具有很好的抗老化性能

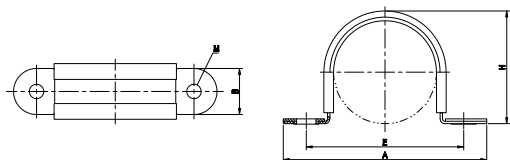
- Material: Stainless steel and silicone rubber
- Temperature range: Min-40 C., max200 C
- Applications: It is applied to fix the tubing and its elastic material has excellent ageing-resistant property

规格型号 Article no.	适配软管AD Fits to Tubing size	安装螺钉 Fixing Screw	宽度B Width(mm)	包装单位 Packet Units
SKM.D-AD10.0/M5	AD10.0	M5	13	100
SKM.D-AD10.0/M8	AD10.0	M8	19	100
SKM.D-AD13.0	AD13.0	M4	9	100
SKM.D-AD13.0/M8	AD13.0	M8	19	100
* SKM.D-AD15.8	AD15.8	M4	9	100
SKM.D-AD15.8/M8	AD15.8	M8	19	100
* SKM.D-AD18.5	AD18.5	M4	9	50
SKM.D-AD18.5/M8	AD18.5	M8	19	50
* SKM.D-AD21.2	AD21.2	M4	9	50
SKM.D-AD21.2/M5	AD21.2	M5	13	50
SKM.D-AD21.2/M8	AD21.2	M8	19	50
* SKM.D-AD25.5	AD25.5	M5	13	25
SKM.D-AD25.5/M8	AD25.5	M8	19	25
* SKM.D-AD28.5	AD28.5	M5	13	25
SKM.D-AD28.5/M8	AD28.5	M8	19	25
* SKM.D-AD31.5	AD31.5	M5	13	25
SKM.D-AD31.5/M6	AD31.5	M6	13	25
SKM.D-AD31.5/M8	AD31.5	M8	19	25
* SKM.D-AD34.5	AD34.5	M6	13	25
SKM.D-AD34.5/M8	AD34.5	M8	19	25
* SKM.D-AD42.5	AD42.5	M6	13	20
SKM.D-AD42.5/M8	AD42.5	M8	19	20
* SKM.D-AD54.5	AD54.5	M6	13	20
SKM.D-AD54.5/M8	AD54.5	M8	19	20
* SKM.D-AD60	AD60	M6	13	10
* SKM.D-AD67.2	AD67.2	M6	13	10
* SKM.D-AD67.2/M8	AD67.2	M8	19	10



- ★ 可提供多线缆夹定制方案
We can provide customized solutions
for multi-cable clamping

SKN 紧固夹 Tubing-Clamp



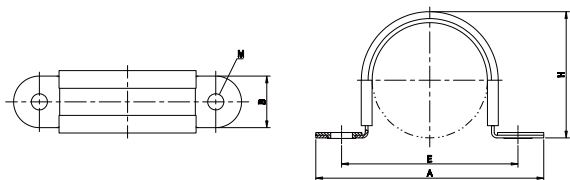
- 材质: 铁皮镀锌+硅橡胶
- 温度: -40°C~200°C
- 应用场合: 适合于软管的固定, 弹性材料具有很好的抗老化性能

- Material: Galvanized steel and silicone rubber
- Temperature range: Min-40 °C ,max200 °C ,
- Applications: It is applied to fix the tubing and its elastic material has excellent ageing-resistant property



规格型号 Article no.	适配软管AD Fits to Tubing Size	安装螺钉 Fixing Screw	A mm	宽度B Width(mm)	H mm	E mm	包装单位 Packet Units
SKN-AD18.5	AD18.5	M6	60	19	23	42.3	50
SKN-AD21.2	AD21.2	M6	63	19	25.5	44	50
SKN-AD28.5	AD28.5	M6	70	19	33	51	25
SKN-AD34.5	AD34.5	M6	76	19	36	57	20
SKN-AD42.5	AD42.5	M6	85	19	47.3	66	10
SKN-AD54.5	AD54.5	M6	98	19	59.3	79	10
SKN-AD67.2	AD67.2	M8	122	24	72.5	97.2	5
SKN-AD80	AD80	M8	134	24	84	110	5
SKN-AD106	AD106	M8	160	24	110	136	5

SKN.D 不锈钢紧固夹 Tubing-Clamp With Stainless Steel



- 材质: 不锈钢+硅橡胶
- 温度: -40°C~200°C
- 应用场合: 适合于软管的固定, 弹性材料具有很好的抗老化性能

- Material: Stainless steel and silicone rubber
- Temperature range: Min-40 °C ,max200 °C
- Applications: It is applied to fix the tubing and its elastic material has excellent ageing-resistant property



规格型号 Article no.	适配软管AD Fits to Tubing Size	安装螺钉 Fixing Screw	A mm	宽度B Width(mm)	H mm	E mm	包装单位 Packet Units
* SKN.D-AD18.5	AD18.5	M6	60	19	28	42.3	50
* SKN.D-AD21.2	AD21.2	M6	63	19	29	43.7	50
* SKN.D-AD28.5	AD28.5	M6	70	19	33	51	25
SKN.D-AD34.5	AD34.5	M6	76	19	36	57	20
SKN.D-AD42.5	AD42.5	M6	84	19	46.5	65	10
SKN.D-AD54.5	AD54.5	M6	97	19	58.5	78	10
SKN.D-AD67.2	AD67.2	M8	122	24	72.5	97.2	5
SKN.D-AD80	AD80	M8	134	24	84	110	5
* SKN.D-AD106	AD106	M8	160	24	110	136	5

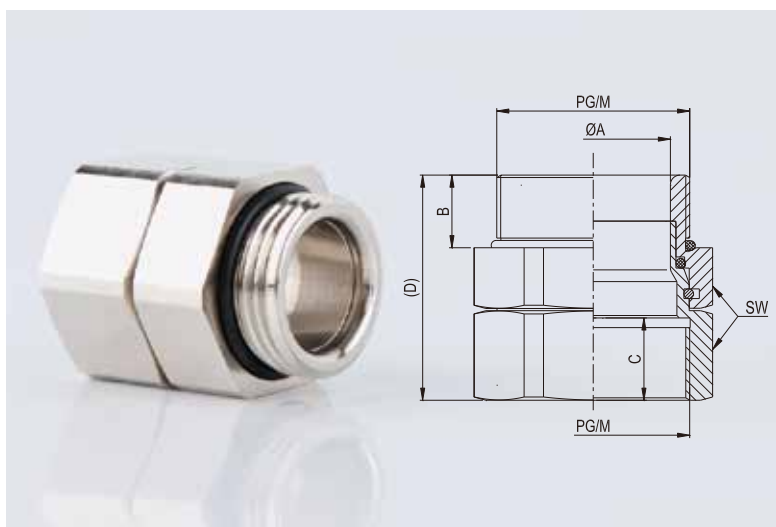
WQPT 360° 旋转软管接头 Swivlve Connector Coupler

这种螺纹管接头通常与带有金属螺纹的管接头(90度/45度弯曲型)配合使用,容易固定接头的出线位置。接头安装后可进行360°自由旋转

This threaded tubing connector is usually used in conjunction with a tubing connector with a metal thread (90°/45° bend type), which is easy to fix the outlet position of the joint. After the connector is installed, it can still rotate freely in 360°

- 材料:黄铜镀镍
- 温度:-40°C~100°C
- 防护等级达:IP68

- Nickel-plated brass
- Temperature range: Min-40°C, max100°C
- Protection degree: IP68



WQPT 360° 公制螺纹 Metric Thread

规格型号 Article no.	螺纹规格 Thread Dimen Sion 公制Metric	内孔径 ΦA ID	螺纹长度 B Thread Length	螺纹长度 C Thread Length	总长度 (D) Total Length	扳手尺寸 SW Wrench Size	包装单位 Packet Units
* WQPT-M12	M12×1.5	4.5	10	12	33.5	17	50
* WQPT-M16	M16×1.5	8.5	10	12	33.5	21	32
WQPT-M20	M20×1.5	14	10	12	33.5	24	32
WQPT-M25	M25×1.5	19	12	14	38.5	30	18
WQPT-M32	M32×1.5	25	12	14	39	36	18
WQPT-M40	M40×1.5	32	15	17	46.5	45	4
* WQPT-M50	M50×1.5	40	15	17	50	55	4

WQPT 360° PG制螺纹 PG Thread

规格型号 Article no.	螺纹规格 Thread Dimen Sion 公制Metric	内孔径 ΦA ID	接头外径 ΦB OD	螺纹长度 C Thread Length	总长度 (D) Total Length	扳手尺寸 SW Wrench Size	包装单位 Packet Units
WQPT-P21	PG21	20	12	14	39	32	18

WYT-PA 可开式软管 Openable Tubing

- 材料: 尼龙
- 颜色: 深灰色(RAL7037), 黑色(RAL9005)
- 温度: -40°C~115°C, 短时达到150°C
- 阻燃等级: HB(UL94)
- 特性: 高温不变形, 耐摩擦, 化学稳定性强, 不含卤素, 弯曲弹性强
- 适配: WYTC 可开式接头

- Material: polyamide
- Color: Grey (RAL 7037)
- Temperature range: Min-40 °C ,max115 °C ,short-term150 °C
- Flame-retardant: HB (UL94)
- Properties: It will not change the shape of the conduit at high temperatures. Anti-friction, stable chemical property, halogen-free, good bending elasticity
- Fit with: WYTC Open connectors



规格型号	适配软管规格	内径×外径	最小弯曲半径	重量 Weight(kg) (kg/m±10%)	包装(米/卷) PU (m/ring)
Article no.	Tubing Article	Innerφ×Outerφ	Bending Radius		
WYT-PA10	WYTC-10	9.2×14	60	0.049	50
WYT-PA14	WYTC-14	12.9×19.8	80	0.089	50
WYT-PA20	WYTC-20	19.6×26.7	95	0.147	50
WYT-PA23	WYTC-23	24×32.4	115	0.18	50
WYT-PA37	WYTC-37	31.5×44	150	0.312	25
WYT-PA45	-	43.2×54.7	190	0.41	25

WYT-PP 可开式软管 Openable Tubing

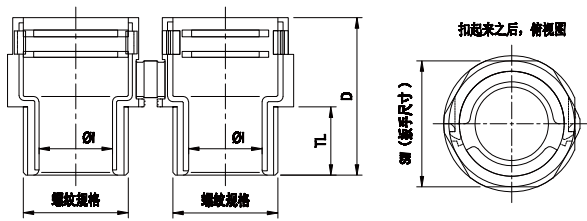
- 材质: 聚丙烯
- 颜色: 深灰色(RAL7037), 黑色(RAL9005)
- 温度: -40°C~110°C
- 阻燃等级: HB(UL94)
- 特性: 机械强度高, 化学稳定性强, 不含卤素, 温度稳定性强
- 适配: WYTC 可开式接头

- Material: polypropylene
- Color: Black (RAL 9005)
- Temperature range: Min-40 °C ,max110 °C
- Flame-retardant: HB (UL94)
- Properties: High chemical strength, stable chemical property, halogen-free, high temperature stability
- Fit with: WYTC Open connectors



规格型号	适配软管规格	内径×外径	最小弯曲半径	重量 Weight(kg) (kg/m±10%)	包装(米/卷) PU (m/ring)
Article no.	Tubing Article	Innerφ×Outerφ	Bending Radius		
WYT-PP10	WYTC-10	9.2×14	55	0.039	50
WYT-PP14	WYTC-14	12.9×19.8	75	0.071	50
WYT-PP20	WYTC-20	19.6×26.7	95	0.118	50
WYT-PP23	WYTC-23	24×32.4	125	0.144	50
WYT-PP37	WYTC-37	31.5×44	150	0.25	25
WYT-PP45	-	43.2×54.7	190	0.328	25

WYTC 可开式接头 Openable Connector



- 材料: 特制合成聚酰胺制成
- 颜色: 黑色(RAL 9005)
- 温度: -30°C~100°C, 短时达到120°C
- 防护等级: IP50, 自熄灭性好, 不含卤素、磷、镉(符合RoHS指令)
- 适配: WYT 可开式软管

- Material: Specially formulated polyamide
- Color: Black (RAL 9005)
- Temperature range: Min-30 C ,max100 C ,short-term120 C
- Protection degree: IP50, Self-extinguishing, free of halogen, phosphor and cadmium (command RoHS satisfy)
- Fit with: WYT Open Tubing

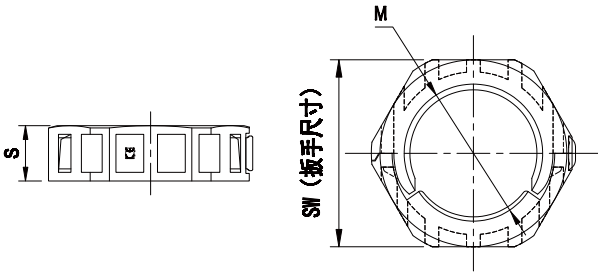
WYTC-M 公制螺纹 Metric Thread

规格型号 Article no.	螺纹规格 Thread Size	适配软管尺寸 Fitting To WYTC	高度 Fitting Height D(mm)	螺纹长度 Thread Length TL(mm)	内孔尺寸 Inner Width Φl(mm)	扳手尺寸 Wrench size Body SW(mm)	包装单位 Pack. Qty. Pcs.
WYTC-10-M16	M16×1.5	10	27	12	10	19	100
WYTC-14-M20	M20×1.5	14	30	13	14	24	100
WYTC-20-M25	M25×1.5	20	35	14	19	32	50
WYTC-20-M27	M27×2.0	20	35	14	20.5	32	50
WYTC-23-M32	M32×1.5	23	45	15	26	40	25
WYTC-37-M40	M40×1.5	37	45	15	31	52	25

WYTC-P 德国PG制螺纹 German PG Thread

规格型号 Article no.	螺纹规格 Thread Size	适配软管尺寸 Fitting To WYTC	高度 Fitting Height D(mm)	螺纹长度 Thread Length TL(mm)	内孔尺寸 Inner Width Φl(mm)	扳手尺寸 Wrench size Body SW(mm)	包装单位 Pack Qty Pcs
WYTC-10-P09	PG9	10	27	12	10	19	100
WYTC-14-P13.5	PG13.5	14	30	13	14	24	100
WYTC-20-P21	PG21	20	35	14	20.5	32	50
WYTC-23-P29	PG29	23	45	15	30	40	25
WYTC-37-P29	PG29	37	45	15	28	52	25

WYTN 可开式螺母 Openable Locknut



- 材料: 特制合成聚酰胺制成
- 颜色: 黑色(RAL 9005)
- 环境温度: -30°C~100°C, 短时达到120°C
- 阻燃等级: 自熄灭性好, 不含卤素、磷、镉(符合RoHS指令)

- Material: Specially formulated polyamide
- Color: Black (RAL 9005)
- Temperature range: Min-30 °C ,max100 °C ,short-term120 °C
- Flame-retardant: Self-extinguishing, free of halogen, phosphor and cadmium (command RoHS satisfy)



WYTN-M 公制螺纹 Metric Thread

规格型号 Article no.	螺纹规格 Thread Size	适配软管尺寸 Fitting To WYTC	扳手尺寸 Wrench size Body SW(mm)	螺母厚度 Size of Nut S (mm)	包装单位 Pack Qty Pcs
WYTN-M16	M16×1.5	WYTC-10-M16	22	6	100
WYTN-M20	M25×1.5	WYTC-14-M20	27	8	100
WYTN-M25	M25×1.5	WYTC-20-M25	32	9	100
WYTN-M27	M27×2	WYTC-20-M27	36	9	100
WYTN-M32	M32×1.5	WYTC-23-M32	42	9	50
WYTN-M40	M40×1.5	WYTC-37-M40	50	9	25

WYTN-P 德国PG制螺纹 German PG Thread

规格型号 Article no.	螺纹规格 Thread Size	适配软管尺寸 Fitting To WYTC	扳手尺寸 Wrench size Body SW(mm)	螺母厚度 Size of Nut S (mm)	包装单位 Pack Qty Pcs
WYTN-P09	PG9	WYTC-10-P09	22	6	100
WYTN-P13.5	PG13.5	WYTC-14-P13.5	27	8	100
WYTN-P21	PG21	WYTC-20-P21	36	9	50
WYTN-P29	PG29	WYTC-23-P29/WYTC-37-P29	50	9	25

WY 系列大口径软管 WY Jumbo Tubing WY-PE 聚乙烯软管 WY-PE Polyethylene

- 材料: 聚乙烯
- 颜色: 深灰色(RAL 7037), 黑色(RAL 9005)
- 温度: -50°C~80°C, 短时达到100°C

- Material: Polyethylene
- Color: Grey (RAL7037), black (RAL9005)
- Temperature range: Min-50 °C, max80 °C, short-term100 °C

- ★ 订货编号: #=B(黑色)、G(深灰色)
Order number: #=B(Black)、G(Dark grey)



规格型号	内径×外径	最小弯曲半径	动态半径	重量	包装
Article no.	ID×OD mm×mm	Bending Radius (mm)	Dyn.r (mm)	Weight(kg) (kg/m±10%)	PU (m/ring)
WY-PE-AD67.2 #	56.3×67.2	130	270	0.31	10
WY-PE-AD80 #	68×80	170	350	0.4	10
WY-PE-AD106 #	92×106	225	450	0.559	10

WY-PA6 尼龙软管 WY-PA6 Polyamide Tubing

- 材料: 尼龙 6
- 颜色: 深灰色(RAL 7037), 黑色(RAL 9005)
- 温度: -40°C~115°C, 短时达到150°C
- 阻燃等级: HB(UL94), 不含卤素、磷、镉, 通过RoHS测试

- Material: Polyamide 6
- Color: Grey (RAL 7037), black(RAL 9005)
- Temperature range: Min-40 °C, max115 °C, short-term150 °C
- Flame-retardant: HB(UL94), free of halogen, phosphor and cadmium, passed RoHS

- ★ 订货编号: #=B(黑色)、G(深灰色)
Order number: #=B(Black)、G(Dark grey)



规格型号	内径×外径	弯曲半径	动态半径	重量	包装
Article no.	ID×OD mm×mm	Bending Radius (mm)	Dyn.r (mm)	Weight(kg) (kg/m±10%)	PU (m/ring)
WY-PA6-AD67.2 #	56.3×67.2	130	270	0.383	10
WY-PA6-AD80 #	68×80	170	350	0.494	10
WY-PA6-AD106 #	92×106	225	450	0.69	10

WY-PA12 尼龙软管 WY-PA12 Polyamide 12 Tubing

- 材料: 尼龙
- 颜色: 深灰色(RAL 7037), 黑色(RAL 9005)
- 温度: -50°C~100°C, 短时达到150°C
- 阻燃等级: V2(UL94), 不含卤素、磷、镉, 通过RoHS测试

- Material: Polyamide
- Color: Grey (RAL 7037), black (RAL 9005)
- Temperature range: Min-50 °C, max100 °C, short-term150 °C
- Flame-retardant: V2(UL94), free of halogen, phosphor and cadmium, passed RoHS

- ★ 订货编号: #=B(黑色)、G(深灰色)
Order number: #=B(Black)、G(Dark grey)

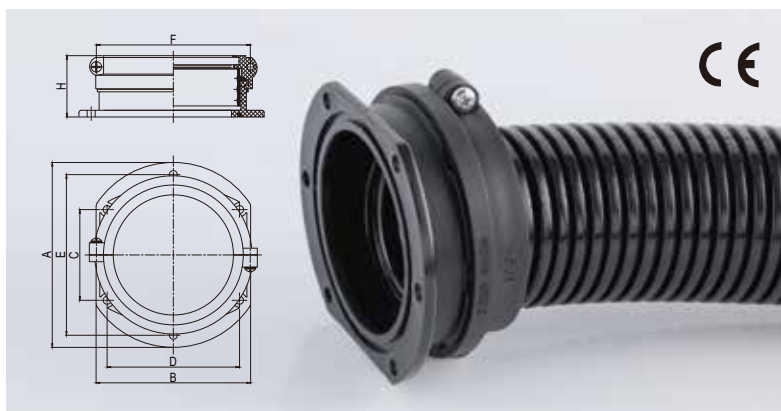


规格型号	内径×外径	弯曲半径	动态半径	重量	包装
Article no.	ID×OD mm×mm	Bending Radius (mm)	Dyn.r (mm)	Weight(kg) (kg/m±10%)	PU (m/ring)
* WY-PA12-AD67.2 #	56.3×67.2	130	270	0.346	10
* WY-PA12-AD80 #	68×80	170	350	0.446	10
* WY-PA12-AD106 #	92×106	225	450	0.624	10

WGFPM 大型软管接头 Jumbo Connector

- 材料: PA增强尼龙PA
- 颜色: 深灰色(RAL 7037), 黑色(RAL 9005)
- 温度: -40°C~100°C
- 防护等级: IP54, 当使用平面密封环FRP和管道密封圈FRM时, 防护等级达IP68

- Material: Polyamide , enhanced polyamide
- Color: Grey (RAL 7037), black (RAL 9005)
- Temperature range: Min-40 °C ,max 100 °C
- Protection degree: IP54, When using together with flat-sealing FRP and sealing FRM, protection degree can reach IP68. (WGFPM does not include FRM and FRP, please order additional if necessary.)
FRM and FRP are not included



规格型号 Article no.	适配软管 AD Fitting To WYTC	A mm	B mm	C mm	D mm	φE mm	φF mm	H mm	安装螺钉 Fixing Screw	包装单位 Packet Units
WGFPM AD67.2 #	67.2	96	80	60	66	/	89	39.5	4-M6	6
WGFPM AD80 #	80	112	95	60	80	100	96.5	44	6-M6	2
WGFPM AD106 #	106	150	126	74	108	129	125.5	50	6-M6	2

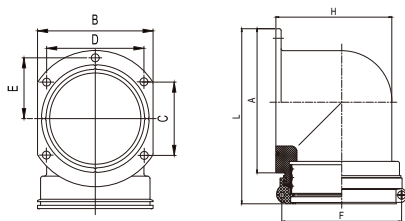
★ 订货编号: #=B(黑色)、G(深灰色) Order number: #=B(Black)、G(Dark grey)

WFPM 大型软管接头 WFPM Jumbo Connector

- 材料: PA增强尼龙PA
- 颜色: 深灰色(RAL 7037), 黑色(RAL 9005)
- 温度: -40°C~100°C
- 防护等级: IP54, 当使用平面密封环FRP和管道密封圈FRM时, 防护等级达IP68

- Material: Polyamide , enhanced polyamide
- Color: Grey (RAL 7037), black (RAL 9005)
- Temperature range: Min-40 °C ,max 100 °C
- Protection degree: IP54, When using together with flat-sealing FRP and sealing FRM, protection degree can reach IP68

(WFPM does not include FRM and FRP, please order additional if necessary.)
FRM and FRP are not included



规格型号 Article no.	适配软管AD Fits to Tubing Size	A mm	B mm	C mm	D mm	φE mm	φF mm	H mm	L mm	安装螺钉 Mounting Screws
WFPM AD80 #	80	112	95	60	80	50	95	98	148.5	M6
WFPM AD106 #	106	151	126	74	108	65.5	123	121.5	183.5	M6

★ 订货编号: #=B(黑色)、G(深灰色) Order number: #=B(Black)、G(Dark grey)

FRP 平面密封环 Flat-sealing/ FRM 管道密封圈 Sealing

- 材料: FRP:氯丁橡胶;FRM:改性橡胶
- 温度: -40°C~100°C
- 特性: 耐油, 防水, 防尘。FRP用于特大软管接头与安装面之间的密封FRM用于软管和特大软管接头之间的密封

- Material: FRP:chloroprene rubber;FRM:modified rubber
- Temperature range: Min-40 C ,max 100 C
- Properties: Protection against oil, water and dust. FRP is used for sealing between jumbo connector and fitting surface, while FRM is used for sealing between tubing and jumbo connector

FRP 平面密封环
FRP flat-sealing



FRM 管道密封圈
FRM Sealing

规格型号 Article no.	D (厚度) Heavy(mm)	规格型号 Article no.	ΦI (内径) ID (mm)	ΦB (外径) OD (mm)	D (高度) Height (mm)	包装单位 Packet Units
FRP AD67.2	3	FRM AD67.2-T	64	80	24	5
FRP AD80	3	FRM AD80-T	77	91	28	5
FRP AD106	3	FRM AD106-T	101	119	29.5	2

WYFL 软管切割刀具 Tubing Cutter



- 轻巧(主体塑料)
为单手操作而设计, 重量轻, 结构紧凑, 适于窄小空间作业, 使用杠杆原理, 出力轻, 切断力量大型号FL50大管径软管也可轻松切断

- Light, easy to use
Design for using the tools with one hand, light weight, compact-sized, widely used in narrow space Using leverage, it's easy to cut off the tubing with little strength Easy to cut off the big-sized tubing

规格型号 Article no.	长度(mm) Length	重量(g) Weight	切断能力 Conduit OD	替刀 Substitute
FL38	220	145	外径<38.5mm	FP38
FL50	250	425	外径≥38.5mm	FP50

WEYER
电气连接与保护系统

金属软管及接头系列
Metal Tubings and Connectors



JS 型镀锌金属软管(P3型) JS Type Galvanized Metal Conduit(P3 Type)

- 结构: 镀锌钢带绕制而成
- 温度范围: 最高耐温达220°C
- 防护等级: IP40
- 认证: 通过REACH及RoHS认证
- 性能: 弯曲柔软性好, 便于安装, 起到保护电缆的作用
- 应用场合: 建筑, 机械等行业



规格型号 Article no.	公称通径 Nominal Diameter	内径×外径 Innerφ×Outerφ	自然弯曲半径 Natural Bending Radius mm	包装单位(米/卷) PU (m/ring)
JS-6		6X8.2	13	100
JS-8	1/4"	8.2X10.8	18	100
JS-10	5/16"	10X13.2	20	100
JS-12	3/8"	12.5X15.7	24	100
JS-15	1/2"	15.5X18.9	26	100
JS-20	3/4"	20X23.8	28	50
JS-25	1"	25X29.3	36	50
JS-32	1 1/4"	32X37	51	25
JS-38	1 1/2"	38X43	62	25
JS-51	2"	51X57	67	20
JS-64	2 1/2"	62.8X70.5	115	10
JS-75	3"	75X83	190	10
JS-100	4"	97X108.5	220	10
JS-125	5"	122X133.5	310	5
JS-150	6"	146X158.5	355	5

- Structure: Galvanized steal-strip
- Temperature range: Up to 220 C
- Protection degree: IP40
- Performance: Certified by REACH and ROHS
- Properties: Good bending flexibility, easy to install, and protect the cable
- Application: Construction and mechanism fields etc

JSH-PVC 型包塑金属软管 (P3型) JSH-PVC Type Metal Conduit With PVC Sheathing(P3 Type)

- 结构: 内JS外PVC包塑组成
- 颜色: 灰色(RAL 7037) 黑色(RAL 9005)
- 温度: -25°C~80°C, 短时可达100°C
- 防护等级: IP68
- 阻燃等级: V0(UL94)
- 认证: REACH、RoHS
- 性能: 柔软性好, 便于安装
- 应用场合: 电力、化工、冶金、机械等行业



规格型号 Article no.	公称通径 Nominal Diameter	内径×外径 ID×OD mm×mm	自然弯曲半径 Natural Bending Radius (mm)	包装单位(米/卷) PU (m/ring)
JSH-PVC-06 #		6X9	25	100
JSH-PVC-08 #	1/4"	8.2X11.6	26	100
JSH-PVC-10 #	5/16"	10X14.2	37	100
JSH-PVC-12 #	3/8"	12.5X16.7	38	100
JSH-PVC-15 #	1/2"	15.5X20.1	41	100
JSH-PVC-20 #	3/4"	20X25	52	50
JSH-PVC-25 #	1"	25X30.7	66	50
JSH-PVC-32 #	1 1/4"	32X38.6	70	25
JSH-PVC-38 #	1 1/2"	38X44.6	86	25
JSH-PVC-51 #	2"	51X59	121	20
JSH-PVC-64 #	2 1/2"	62.8X72	150	10
JSH-PVC-75 #	3"	75X85	210	10
JSH-PVC-100 #	4"	97X112.3	234	10
JSH-PVC-125 #	5"	125X135.5	335	5
JSH-PVC-150 #	6"	150X161.5	375	5

- Structure: JS with PVC sheathing
- Color: Grey (RAL 7037), black (RAL 9005)
- Temperature range: Min-25 C ,max80 C ,short term up to 100 C
- Protection degree: IP68
- Flame-retardant: V0(UL94)
- Performance: REACH and ROHS
- Properties: Flexible and easy to assembly
- Application: lectricity, chemistry, mechanism etc

★ 订货编号: #=B(黑色)、G(灰色)
Order number: #=B(Black)、G(Dark grey)

JSH-PA 型包塑金属软管 (P3) JSH-PA Type Metal Conduit with PA6 Sheathing(P3 Type)

- 结构:内 JS 外PA包塑组成
- 颜色:灰色 (RAL 7037) 黑色 (RAL 9005)
- 温度:-40°C~115°C, 短时达到150°C
- 防护等级:IP68
- 阻燃等级:V0(UL94)
- 性能:机械强度较高,柔韧性好,表面有光泽、耐油、碱、弱酸等,耐磨差、黑色耐紫外线、低烟、不含卤素、磷、镉等,通过RoHS测试



规格型号 Article no.	公称通径 Nominal Diameter	内径×外径 ID×OD mm×mm	自然弯曲半径 Natural Bending Radius (mm)	包装单位(米/卷) PU (m/ring)
JSH-PA-10 #	5/16"	10X14.2	37	100
JSH-PA-12 #	3/8"	12.5X16.7	38	100
JSH-PA-15 #	1/2"	15.5X20.1	41	100
JSH-PA-20 #	3/4"	20X25	52	50
JSH-PA-25 #	1"	25X30.7	66	50
JSH-PA-32 #	1 1/4"	32X38.6	70	25
JSH-PA-38 #	1 1/2"	38X44.6	86	25
JSH-PA-51 #	2"	51X59	121	20

- Structure: JS & PA
- Color: Grey (RAL 7037), black (RAL 9005)
- Temperature range: Min -40 °C, max 115 °C, short-term 150 °C
- Protection degree: IP68
- Flame-retardant: V0 (UL94)
- Properties: High mechanical strength, good flexibility, glossy surface, oil resistance, alkali resistance, weak acid resistance, poor wear resistance, black ultraviolet resistance, low smoke, halogen-free, phosphorus, cadmium, etc., tested by RoHS

★ 订货编号: #=B(黑色)、G(灰色)

Order number: #=B(Black)、G(Dark grey)

JSH-PE 型包塑金属软管 (P3) JSH-PE Type Metal Conduit with PE Sheathing(P3 Type)

- 结构:内 JS 外PE包塑组成
- 颜色:灰色 (RAL 7037) 黑色 (RAL 9005)
- 温度:-40°C~90°C, 短时达到100°C
- 防护等级:IP68
- 阻燃等级:V0(UL94)
- 性能:机械强度较高,耐油柔韧性好、表面光泽、低烟、不含卤素、磷、镉等,通过RoHS测试



规格型号 Article no.	公称通径 Nominal Diameter	内径×外径 ID×OD mm×mm	自然弯曲半径 Natural Bending Radius (mm)	包装单位(米/卷) PU (m/ring)
JSH-PE-10 #	5/16"	10X14.2	37	100
JSH-PE-12 #	3/8"	12.5X16.7	38	100
JSH-PE-15 #	1/2"	15.5X20.1	41	100
JSH-PE-20 #	3/4"	20X25	52	50
JSH-PE-25 #	1"	25X30.7	66	50
JSH-PE-32 #	1 1/4"	32X38.6	70	25
JSH-PE-38 #	1 1/2"	38X44.6	86	25
JSH-PE-51 #	2"	51X59	121	20

- Structure: JS & PE
- Color: Grey (RAL 7037), black (RAL 9005)
- Temperature range: Min -40 °C, max 90 °C, short-term 100 °C
- Protection degree: IP68
- Flame-retardant: V0 (UL94)
- Performance: High mechanical strength, good oil resistance and flexibility, surface gloss, low smoke, no halogen, phosphorus, cadmium and so on, tested by RoHS

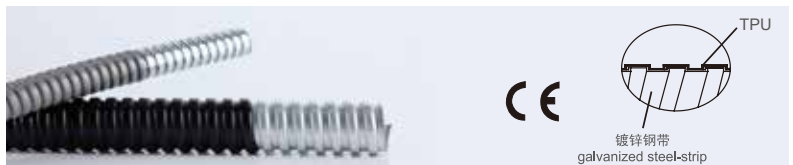
★ 订货编号: #=B(黑色)、G(灰色)

Order number: #=B(Black)、G(Dark grey)

PE属聚烯烃共聚物 PE belongs to polyolefin copolymer

JSH-PU 型包塑金属软管 (P3) JSH-PU Type Metal Conduit with PU Sheathing(P3 Type)

- 结构:内 JS 外TPU包塑组成
- 颜色:灰色 (RAL 7037) 黑色 (RAL 9005)
- 温度:-40°C~100°C, 短时达到120°C
- 防护等级:IP68
- 阻燃等级:V0(UL94)
- 性能:柔软性好,便于安装,耐水、耐油、低烟、无卤、不含磷、镉等,通过RoHS测试



规格型号 Article no.	公称通径 Nominal Diameter	内径×外径 ID×OD mm×mm	自然弯曲半径 Natural Bending Radius (mm)	包装单位(米/卷) PU (m/ring)
JSH-PU-10 #	5/16"	10X14.2	37	100
JSH-PU-12 #	3/8"	12.5X16.7	38	100
JSH-PU-15 #	1/2"	15.5X20.1	41	100
JSH-PU-20 #	3/4"	20X25	52	50
JSH-PU-25 #	1"	25X30.7	66	50
JSH-PU-32 #	1 1/4"	32X38.6	70	25
JSH-PU-38 #	1 1/2"	38X44.6	86	25
JSH-PU-51 #	2"	51X59	121	20

- Structure: JS & TPU
- Color: Grey (RAL 7037), black (RAL 9005)
- Temperature range: Min -40 °C, max 100 °C, short-term 120 °C
- Protection degree: IP68
- Flame-retardant: V0 (UL94)
- Properties: Flexible and easy to assemble and oil, free of halogen, phosphorus and cadmium, passed RoHS

★ 订货编号: #=B(黑色)、G(灰色)

Order number: #=B(Black)、G(Dark grey)

JSG 型增强管 (P3型) JSG-Type Enhanced Conduit (P3 Type)

- 结构: JSH与不锈钢丝编织构成
- 温度: -25°C~80°C, 短时达到100°C
- 防护等级: IP68
- 性能: 增强软管耐磨, 耐热, 拉力等优点
- 应用场合: 高温环境, 加工焊接场所, 有机械加工热切屑的场所等



CE 防爆管 Explosion-proof Conduit

规格型号 Article no.	公称通径 Nominal Diameter	内径×外径 ID×OD mm×mm	自然弯曲半径 Natural Bending Radius (mm)	包装单位(米/卷) PU (m/ring)
JSG-10	5/16"	10X14.5	30	50
JSG-12	3/8"	12X17	40	50
JSG-15	1/2"	15.5X21	55	50
JSG-20	3/4"	20X26.2	75	50
JSG-25	1"	25X31.5	102	50
JSG-32	1 1/4"	32X41	180	25
JSG-38	1 1/2"	38X47	190	25
JSG-51	2"	51X61	230	20
JSG-64	2 1/2"	64X75	250	20
JSG-75	3"	75X89	300	20
JSG-100	4"	100X115	400	20

- Structure: JSH with stainless steel braiding
- Temperature range: Min-25°C, max80°C, short term up to 100°C.
- Protection degree: IP68
- Properties: Enhanced anti-friction, heat-proof and tensile force
- Applications: High-temperature surroundings, processing areas etc

★ 大规格JSG型按照客户要求定制
Large specifications JSG type customized
to customer requirements

SLS 型不锈钢金属软管(P3型) Metal Conduit With Stainless Steel(P3 Type)

- 结构: 不锈钢带绕制而成
- 温度范围: 最高耐温达700°C
- 防护等级: IP40
- 性能: 弯曲柔软性好, 便于安装, 起到保护电缆的作用
- 应用场合: 建筑、机械等行业



CE

规格型号 Article no.	公称通径 Nominal Diameter	内径×外径 Innerφ×Outerφ	自然弯曲半径 Natural Bending mm	包装单位(米/卷) PU (m/ring)
SLS-10	5/16"	10X13	20	100
SLS-12	3/8"	12.5X15.8	28	100
SLS-15	1/2"	15.5X19	28	100
SLS-20	3/4"	20X23.6	33	50
SLS-25	1"	25X29.5	35	50
SLS-32	1 1/4"	32X37	53	25
SLS-38	1 1/2"	38X43	63	25
SLS-51	2"	51X57	80	20

- Structure: Stainless steel-strip
- Temperature range: Up to 700°C
- Protection degree: IP40
- Properties: Flexible and easy to assembly, good for the cable protection
- Application: Construction and mechanism fields etc

SLSH-PVC 型不锈钢包塑金属软管 (P3型)

SLSH-PVC Stainless Steel conduit with PVC Sheathing (P3 Type)

- 结构:内SLS外PVC包塑而成
- 颜色:灰色(RAL 7037) 黑色(RAL 9005)
- 温度:-25°C~80°C, 短时间100°C
- 防护等级:IP68
- 阻燃等级:V0 (UL94)
- 性能:弯曲柔软性好, 便于安装, 起到防水等优点
- 应用场合:电力, 化工, 冶金、机械等行业

- Structure: SLS; With PVC sheathing.
- Color: Grey (RAL 7037), black (RAL 9005)
- Temperature range: Min-25 °C , max 80 °C , short term 100 °C
- Protection degree: IP68
- Flame-retardant: V0 (UL94)
- Properties: Flexible and easy to assembly, protection against water
- Application: Electricity, chemistry, mechanism etc...

★ 订货编号: #=B(黑色)、G(灰色)

Order number: #=B(Black)、G(Dark grey)



规格型号 Article no.	公称通径 Nominal Diameter	内径×外径 ID×OD mm×mm	自然弯曲半径 Natural Bending Radius (mm)	包装单位(米/卷) PU (m/ring)
SLSH-PVC-10 #	5/16"	10X14.2	55	100
SLSH-PVC-12 #	3/8"	12.5X16.7	65	100
SLSH-PVC-15 #	1/2"	15.5X20.1	85	100
SLSH-PVC-20 #	3/4"	20X24.5	100	50
SLSH-PVC-25 #	1"	25X30.7	120	50
SLSH-PVC-32 #	1 1/4"	32X39.3	150	25
SLSH-PVC-38 #	1 1/2"	38X45.8	180	25
SLSH-PVC-51 #	2"	51X60.5	220	20

SLSH-PA 型不锈钢包塑金属软管 (P3型)

Stainless Steel conduit with PA Sheathing (P3 Type)

- 结构:内SLS外PA包塑而成
- 颜色:灰色(RAL 7037) 黑色(RAL 9005)
- 温度:-40°C~115°C, 短时达到150°C
- 防护等级:IP68
- 阻燃等级:V0 (UL94)
- 性能:机械强度高, 柔韧性好, 表面有光泽、耐油、碱、弱酸等, 耐磨差, 黑色耐紫外线、低烟、不含卤素、磷、镉等, 通过RoHS测试

- Structure: SLS; With PA sheathing.
- Color: Grey (RAL 7037), black (RAL 9005)
- Temperature range: Min-40 °C , max 115 °C , short term 150 °C
- Protection degree: IP68
- Flame-retardant: V0 (UL94)
- Properties: High mechanical strength, good flexibility, glossy surface, oil resistance, alkali resistance, weak acid resistance, poor wear resistance, black ultraviolet resistance, low smoke, halogen-free, phosphorus, cadmium, etc., tested by RoHS

★ 订货编号: #=B(黑色)、G(灰色)

Order number: #=B(Black)、G(Dark grey)



规格型号 Article no.	公称通径 Nominal Diameter	内径×外径 ID×OD mm×mm	自然弯曲半径 Natural Bending Radius (mm)	包装单位(米/卷) PU (m/ring)
SLSH-PA-10 #	5/16"	10X14.2	55	100
SLSH-PA-12 #	3/8"	12.5X16.7	65	100
SLSH-PA-15 #	1/2"	15.5X20.1	85	100
SLSH-PA-20 #	3/4"	20X24.5	100	50
SLSH-PA-25 #	1"	25X30.7	120	50
SLSH-PA-32 #	1 1/4"	32X39.3	150	25
SLSH-PA-38 #	1 1/2"	38X45.8	180	25
SLSH-PA-51 #	2"	51X60.5	220	20

SLSH-PE 型不锈钢包塑金属软管 (P3型)

Stainless Steel conduit with PE Sheathing (P3 Type)

- 结构:内SLS外PE包塑而成
- 颜色:灰色 (RAL 7037) 黑色 (RAL 9005)
- 温度:-40°C~90°C, 短时间100°C
- 防护等级:IP68
- 阻燃等级:V0 (UL94)
- 性能:机械强度高,耐油、柔韧性好、表面光泽、低烟、不含卤素、磷、镉等,通过RoHS测试

- Structure: SLS; With PE sheathing.
- Color: Grey (RAL 7037), black (RAL 9005)
- Temperature range: Min-40 °C, max 90 °C, short term 100 °C
- Protection degree: IP68
- Flame-retardant: V0 (UL94)
- Performance: High mechanical strength, good oil resistance and flexibility, surface gloss, low smoke, no halogen, phosphorus, cadmium and so on, tested by RoHS

- ★ 订货编号: #=B(黑色)、G(灰色)
 Order number: #=B(Black)、G(Dark grey)
 PE属聚烯烃共聚物
 PE belongs to polyolefin copolymer



规格型号 Article no.	公称通径 Nominal Diameter	内径×外径 ID×OD mm×mm	自然弯曲半径 Natural Bending Radius (mm)	包装单位(米/卷) PU (m/ring)
SLSH-PE-10 #	5/16"	10X14.2	55	100
SLSH-PE-12 #	3/8"	12.5X16.7	65	100
SLSH-PE-15 #	1/2"	15.5X20.1	85	100
SLSH-PE-20 #	3/4"	20X24.5	100	50
SLSH-PE-25 #	1"	25X30.7	120	50
SLSH-PE-32 #	1 1/4"	32X39.3	150	25
SLSH-PE-38 #	1 1/2"	38X45.8	180	25
SLSH-PE-51 #	2"	51X60.5	220	20

SLSH-PU 型不锈钢包塑金属软管 (P3型)

SLSH-PU Stainless Steel conduit with PU Sheathing (P3 Type)

- 结构:内SLS外TPU包塑而成
- 颜色:灰色 (RAL 7037) 黑色 (RAL 9005)
- 温度:-40°C~100°C, 短时达到120°C
- 防护等级:IP68
- 阻燃等级:V0 (UL94)
- 性能:柔韧性好,便于安装,防水、耐油、低烟无卤、不含磷、镉等,通过RoHS测试

- Structure: SLS; With TPU sheathing.
- Color: Grey (RAL 7037), black (RAL 9005)
- Temperature range: Min-40 °C, max 100 °C, short term 120 °C
- Protection degree: IP68
- Flame-retardant: V0 (UL94)
- Performance: Good flexibility, easy installation, water resistance, oil resistance, low smoke, halogen-free, non-phosphorus, cadmium and so on, passed RoHS test

- ★ 订货编号: #=B(黑色)、G(灰色)
 Order number: #=B(Black)、G(Dark grey)



规格型号 Article no.	公称通径 Nominal Diameter	内径×外径 ID×OD mm×mm	自然弯曲半径 Natural Bending Radius (mm)	包装单位(米/卷) PU (m/ring)
SLSH-PU-10 #	5/16"	10X14.2	60	100
SLSH-PU-12 #	3/8"	12.5X16.7	75	100
SLSH-PU-15 #	1/2"	15.5X20.1	95	100
SLSH-PU-20 #	3/4"	20X24.5	110	50
SLSH-PU-25 #	1"	25X30.7	140	50
SLSH-PU-32 #	1 1/4"	32X39.3	170	25
SLSH-PU-38 #	1 1/2"	38X45.8	200	25
SLSH-PU-51 #	2"	51X60.5	250	20

JSB-PVC 平包型软管 (P3型) Type Metal Conduit With Smooth PVC Sheathing(P3 Type)

- 结构: 由JS结构加棉线,外包PVC组成
- 颜色: 灰色 (RAL 7037) 黑色 (RAL 9005)
- 温度: -25°C~80°C, 短时达到100°C
- 防护等级: IP68
- 阻燃等级: V0(UL94)
- 性能: 方便清洁, 增强耐磨和使用寿命, 阻燃.通过REACH/RoHS 认证
- 应用场合: 用于火力发电厂,原子能发电厂,化工厂等重型设备的配套

- Structure: It consists of JS structure, cotton yarn and PVC outsourcing
- Color: grey (RAL 7037), black (RAL 9005)
- Temperature range: Min-25°C, Max80°C, short term up to 100°C
- Protection Degree: IP68
- Flame-retardant: V0(UL94)
- Properties: Easy to clean, enhanced anti-friction and service life, flame-retardant. Certified by REACH and RoHS
- Application: Heavy equipments of steampower station, nuclear power station and chemical factories

★ 订货编号: #=B(黑色)、G(灰色)
Order number: #=B(Black)、G(Dark grey)



规格型号 Article no.	公称通径 Nominal Diameter	内径×外径 ID×OD mm×mm	自然弯曲半径 Natural Bending Radius (mm)	包装单位(米/卷) PU (m/ring)
JSB-PVC-10 #	5/16"	10X14.4	58	100
JSB-PVC-12 #	3/8"	12.5X16.6	73	100
JSB-PVC-15 #	1/2"	15.5X20.4	93	100
JSB-PVC-20 #	3/4"	20X25.3	101	50
JSB-PVC-25 #	1"	25X30.5	164	50
JSB-PVC-32 #	1 1/4"	32X37.7	182	20
JSB-PVC-38 #	1 1/2"	38X44.2	250	20
JSB-PVC-51 #	2"	51X58	259	10
JSB-PVC-64 #	2 1/2"	62.8X72	350	10
JSB-PVC-75 #	3"	75X85	400	10

JSB-PU 型平包型软管(P3型) Type Metal Conduit With Smooth PU Sheathing (P3 Type)

- 结构: 由JS结构加棉线,外包TPU组成
- 颜色: 灰色 (RAL 7037) 黑色 (RAL 9005)
- 温度: -40°C~100°C, 短时达到120°C
- 防护等级: IP68
- 阻燃等级: V0(UL94)
- 性能: 柔软性好, 便于安装, 防水、耐油、低烟、无卤、不含磷、镉等, 通过RoHS测试

- Structure: It consists of JS structure, cotton yarn and TPU outsourcing
- Color: Grey (RAL 7037), black (RAL 9005)
- Temperature range: Min -40°C, max 100°C, short-term 120°C
- Protection degree: IP68
- Flame-retardant: V0 (UL94)
- Properties: Flexible and easy to assemble and resistant to water and oil, free of halogen, phosphorus and cadmium, passed RoHS

★ 订货编号: #=B(黑色)、G(灰色)
Order number: #=B(Black)、G(Dark grey)
大规格JSB型按照客户要求定制
Large size JSB type is customized according to customer requirements



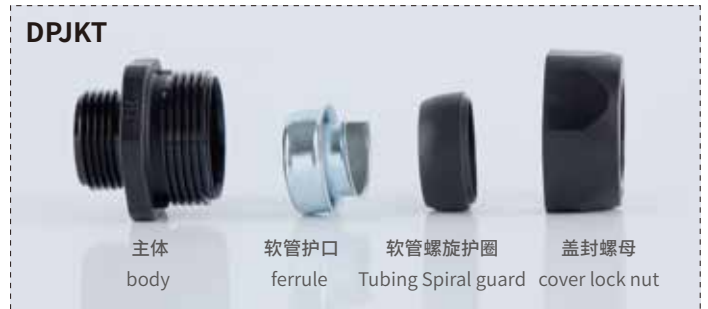
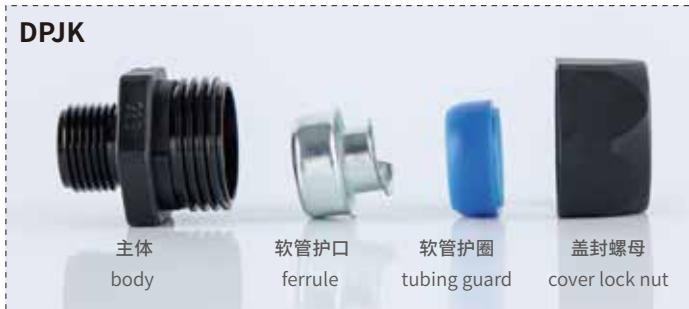
规格型号 Article no.	公称通径 Nominal Diameter	内径×外径 ID×OD mm×mm	自然弯曲半径 Natural Bending Radius (mm)	包装单位(米/卷) PU (m/ring)
JSB-PU-10 #	5/16"	10X14.4	58	100
JSB-PU-12 #	3/8"	12.5X16.6	73	100
JSB-PU-15 #	1/2"	15.5X20.4	93	100
JSB-PU-20 #	3/4"	20X25.3	101	50
JSB-PU-25 #	1"	25X30.5	164	50
JSB-PU-32 #	1 1/4"	32X37.7	182	20
JSB-PU-38 #	1 1/2"	38X44.2	250	20
JSB-PU-51 #	2"	51X58	259	10

DPJK/DPJKT 尼龙端式接头 Nylon end Connector

- 本体材料: 尼龙;软管护口: 铁皮镀锌;护圈: TPE
- 本体颜色: 灰色 (RAL 7037) 黑色 (RAL 9005)
- 温度: -40°C~115°C
- 防护等级: DPJK最高可达IP65 (需使用合适的扁平密封圈)
DPJKT最高可达IP66 (需使用合适的扁平密封圈)
- DPJK接头适用于JS、JSH、JSB软管的连接, JSG软管需要接DPJWK接头
- DPJKT接头适用于JSH、SLSH软管的连接
- 订货时请注明软管规格、螺纹尺寸及颜色, 例: DPJK-15-G1/2B, 或者DPJKT-15-G1/2B, 一端接φ15软管, 另一端G1/2"螺纹, 颜色为黑色



- Body material: nylon; tubing guard: Galvanized iron sheet; retainer: TPE
- Body color: Grey (RAL 7037), black (RAL 9005)
- Temperature range: Min-40 C, Max115 C
- Protection degree: DPJK Maximum IP65 (appropriate flat sealing ring is required)
DPJKT Maximum IP66 (appropriate flat sealing ring is required)
- DPJK connector is suitable for JS, JSH, JSB tubing connection. JSG tubing needs to connect DPJWK connector
- DPJKT joint is suitable for JSH tubing connection
- When ordering, please specify the size and color of tubing thread, such as DPJK-15-G1/2B, or DPJKT-15-G1/2B. One end of tubing is connected with Phi 15 tubing, the other end is G1/2 "thread, the color is black



DPJK/DPJKT 尼龙端式接头标准尺寸 Standard dimensions for nylon end joints

适配软管尺寸 For Conduit Size 公制Metric	管制螺纹 Control Thread	螺纹长度 GL	公制螺纹 Metric Thread	螺纹长度 GL	(扳手尺寸) Wrench Size	包装单位 Packet Units
Ø8	G3/8"	12	M16	12	26	50
Ø10	G3/8"	12	M16	12	26	50
Ø12	G3/8"	12	M20	12	28	25
Ø15	G1/2"	12	M20	12	32	25
Ø20	G3/4"	13	M25	13	40	25
Ø25	G1"	15	M32	15	50	10
Ø32	G1 1/4"	15	M40	15	60	10
Ø38	G1 1/2"	16	M50	16	65	5

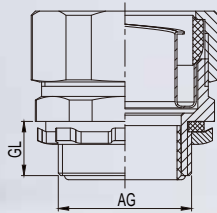
- ★ 软管护口可采用不锈钢材质, 订货型号在DPJK/DPJKT型号后缀增加-T, 如: DPJK-12-M20B-T, 或者DPJKT-12-M20B-T
The tubing ferrule can be made of stainless steel. The suffix of the order model is added to the DPJK/DPJKT model, such as DPJK-12-M20B-T or DPJKT-12-M20B-T.

DPJ/DPJT 端式接头 End Type Connector

- 本体材料: 锌合金镀锌; 盖封螺母: 锌合金镀铬
- DPJ护圈: TPE; 密封圈: 改性橡胶; 软管护口: 镀锌铁皮
- DPJT螺旋护圈: TPE; 密封圈: 改性橡胶; 软管护口: 镀锌铁皮
- DPJ接头适用于JS、JSH、JSB软管的连接, JSG软管需接DPJW接头订货请注明软管规格及螺纹尺寸, 例DPJ-15-G1/2, 一端φ15软管, 另一端G1/2"外螺纹
- 温度: -40°C~100°C
- 防护等级: DPJ最高可达IP65 / DPJT最高可达IP66
- DPJT接头适用于JSH、SLSH软管的连接

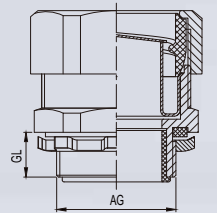
DPJ

DPJ 型端接头(六角螺母)
DPJ end type connector
(hexagon nut)



DPJT

DPJT 型端接头(六角螺母)
DPJT end type connector
(hexagon nut)



- Body Material: Zinc alloy galvanizing; Cover nut: zinc alloy Chrome plating
- DPJ Guarding: TPE; Seal: modified rubber; Ferrule: galvanized steel
- DPJT Spiral guard ring: TPE, sealing ring: modified rubber; Pipe mouthpiece: galvanized iron sheet.
- DPJ connector fits with JS, JSH and JSB conduits, JSG conduit fits with DPJW connector, please inform the dimension of the conduit and the thread such as DPJ-15-G1/2", one end φ15 conduit and the other end G1/2" outer
- DPJT connector for JSH, JSB hose connections
- Temperature range: Min-40°C, max100°C
- Protection degree: DPJ Maximum IP65 / DPJT Maximum IP66



DPJ/DPJT 端式接头部分推荐螺纹尺寸 The Recommended Dimension Of The Connector

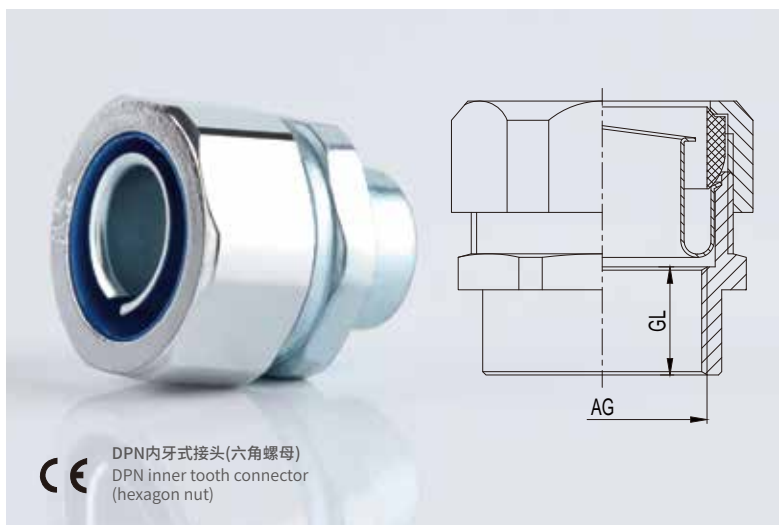
适配软管尺寸 For Conduit Size 公制Metric	管制螺纹 Control Thread	螺纹长度 GL	公制螺纹 Metric Thread	螺纹长度 GL	德制螺纹 PG	螺纹长度 GL	扳手尺寸 Wrench Size	包装单位 Packet Units
Ø6	G1/4"	7	M12 / M14	7	PG7	8.5	18/16	100
Ø8	G3/8"	12	M14 / M16	8.5	PG9	9	24/22	50
Ø10	G3/8"	7	M16	9	PG9	9	24/22	50
Ø12	☆G3/8"	10	M18 / ☆M20	10	PG11/ PG13.5	11	26	50
Ø15	☆G1/2"	12	☆M20 / M22 / M24	10/11/11	PG13.5 / PG16	11.5	30	50
Ø20	☆G3/4"	12	☆M25 / M27 / M30	12/13.5/11.5	PG21	11.5	35	25
Ø25	☆G1"	14	☆M32 / M33 / M36	12/13.5/12	PG29	13	43	20
Ø32	☆G1 1/4"	14	M36 / ☆M40 / M42 / M48	13/14/15.5/15.5	PG29	13.5	52	10
Ø38	☆G1 1/2"	16	M48 / ☆ M50	17.5/14	PG36 / PG42	17/16	60	10
Ø51	☆G2"	16	M60 / ☆M63 / M64 / M72	19/14/16/18	PG48	19	75	5
Ø64	G2 1/2"	21.5	M76	20			89/87	2
Ø75	G3"	24.5	M88	24.5			102/98	2
Ø100	G4"		M114	27			134/129	2
Ø125	G5"		M140	29			158	2
Ø150	G6"		M164	29			183	2

★ 打“☆”为DPJT已有型号,其他型号待开发

DPN 内牙式接头 Inner Tooth Connector

- 本体材料:锌合金镀锌;盖封螺母:锌合金镀铬
- 护圈:TPE;密封圈:改性橡胶;软管护口:镀锌铁皮
- 温度:-40°C~100°C
- 防护等级:最高可达IP65
- 一端连接软管,另一端连接于带螺纹钢管或装有外螺纹连接件的设备上,订货请注明软管规格及连接螺纹尺寸,例DPN-15-G1/2,一端φ15软管,另一端G1/2"内螺纹

- Body Material: Zinc alloy galvanizing; Cover nut: zinc alloy Chrome plating
- Guarding:TPE;Seal:modified rubber;Ferrule:galvanized steel
- Temperature range: Min-40°C,max100°C
- Protection degree: Maximum IP65
- One end is connected to the conduit, and the other end is connected to the threaded steel pipe or equipment equipped with external threaded connectors. Please indicate the conduit specification and connection thread size when ordering, such as: DPN-15-G1/2", one end φ15 conduit, the other end G1/2" internal thread



DPN 内牙式接头部分推荐螺纹尺寸

适配软管尺寸 For Conduit Size 公制Metric	管制螺纹 Control Thread	螺纹长度 GL	公制螺纹 Metric Thread	螺纹长度 GL	德制螺纹 PG	螺纹长度 GL	扳手尺寸 Wrench Size	包装单位 Packet Units
Ø10	G3/8" /G1/2"	10/11	M16	10	PG9	10	24/22	50
Ø12	G3/8"	11	M18 / M20	11			26/24	50
Ø15	G1/2" /G3/4"	14/12	M16 / M20/ M24	10/12.5/12	PG16	12	30/28	50
Ø20	G3/4"	14	M20 / M25 / M27 / M32	12/12/12/13/13	PG16	13	35/33	25
Ø25	G1"	12.5	M32 / M33	12.5			42/40	20
Ø32	G1 1/4"	15	M32 / M40 / M42	12.5/14/15			52/50	10
Ø38	G1 1/2"	16	M48 / M50 /M60	16			60/58	10
Ø51	G2"	18	M60	18			74/72	5
Ø64	G2 1/2"	18	M76	18			89/85	2
Ø75	G3"	18	M88	18			102/98	2
Ø100	G4"	22					133/130	2

DPJ1金属软管接头 End Type Connector

- 材料: 本体及盖封螺母黄铜镀镍
- 护圈: TPE; 密封圈: 改性橡胶; 软管护口: 铁皮镀锌镍
- 温度: -40°C~100°C
- DPJ1接头适用于JS、JSH、JSB、SLSH、SLS软管的连接, JSG软管需接DPJW1接头。订货请注明软管规格及螺纹尺寸, 例DPJ1-15-G1/2, 一端φ15软管, 另一端G1/2"外螺纹

- Material: Body and cover lock nut : Nickel-plated brass
- Guarding: TPE; Seal: modified rubber; Soft Ferrule: Galvanized nickel-plated steel
- Temperature range: Min-40°C, max100°C
- DPJ1 connector is suitable for JS, JSH, JSB, SLSH and SLS conduits, while JSG conduits should use DPJW1. When place the order, please inform the dimension for the conduit and the thread such as DPJ1-15-G1/2", one end φ15 conduit and the other end G1/2" within thread



DPJ1 金属软管接头部分推荐螺纹尺寸

The Recommended Dimension Of The Connector

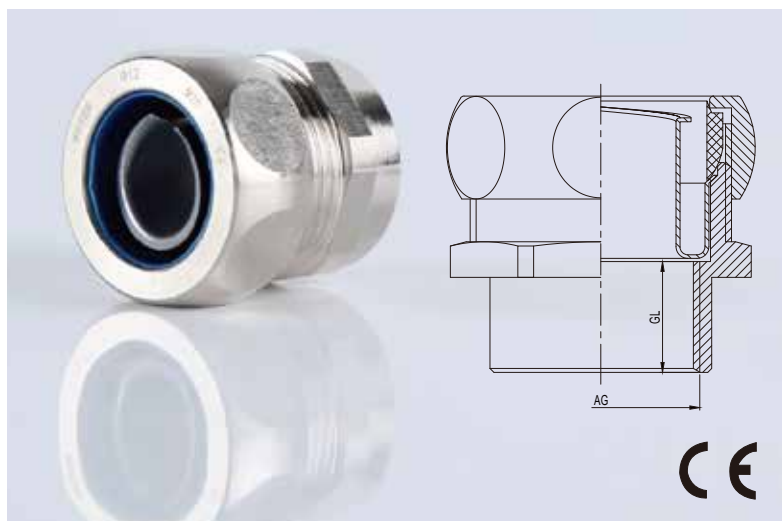
适配软管尺寸 For Conduit Size 公制Metric	管制螺纹 Control Thread	螺纹长度 GL	公制螺纹 Metric Thread	螺纹长度 GL	德制螺纹 PG	螺纹长度 GL	扳手尺寸 Wrench Size	包装单位 Packet Units
Ø6	* G1/4"	8	M12 / *M14	6	PG7	6	18/17	75
Ø8	* G3/8"	8	* M14 / M16	7	PG9	7	20/19	75
Ø10	* G3/8"	8	M16	7	PG9	7	24/22	32
Ø12	G3/8"	8	M18 / M20	7	* PG11 / * PG13.5	7	26/24	18
Ø15	G1/2"	8	M20 / * M22 / M24	7	* PG13.5 / PG16	7	30/28	18
Ø20	G3/4"	8	M25 / M27 / M30	7/8/8	* PG21	7	36/34	18
Ø25	G1"	9	M32 / M33 / M36	8	PG29	8	45/40	8
Ø32	* G1 1/4"	10	M36 / M40 / * M42 / * M48	8/9/9/9	PG29	8	55/50	8
Ø38	* G1 1/2"	10	M48 / M50	9	* PG36 / * PG42	9	60/55	2
Ø51	* G2"	11	M60 / M63 / M64 / * M72	10/10/10/12	* PG48	10	75/70	2
Ø64	* G2 1/2"	11	M72 / * M76	12			90/86	2
Ø75	* G3"		M88	12			100	1
* Ø100	G4"		M114					1
* Ø125	G5"		M140					1
* Ø150	G6"		M164					1

★ 所有规格材质可以提供不锈钢DPJS系列和铝合金DPJAL系列
Stainless steel DPJS series and aluminum alloy DPJAL series are available for all specifications.

DPN1 内螺纹金属软管接头 End Type Connector With Stainless Steel

- 材料: 本体及盖封螺母黄铜镀镍
- 护圈: TPE; 密封圈: 改性橡胶; 软管护口: 铁皮镀锌镍
- 温度: -40°C~100°C
- DPN1接头适用于JS、JSH、JSB、SLSH、SLS软管的连接, JSG软管需接DPNW1接头。订货请注明软管规格及螺纹尺寸, 例DPN1-15-G1/2, 一端φ15软管, 另一端G1/2内螺纹

- Material: Body and cover lock nut : Nickel-plated brass
- Guarding: TPE; Seal: Modified rubber; Ferrule: Galvanized nickel-plated steel
- Temperature range: Min-40 C ,max100 C
- DPN1 connector is suitable for JS, JSH, JSB, SLSH and SLS conduits, while JSG conduits should use DPNW1. When place the order, please inform the dimension for the conduit and the thread such as DPN1-15-G1/2, one end φ15 conduit and the other end G1/2 within thread



DPN1 内螺纹金属软管接头部分推荐螺纹尺寸 The Recommended Dimension Of The Connector

适配软管尺寸 For Conduit Size 公制Metric	管制螺纹 Control Thread	螺纹长度 GL	公制螺纹 Metric Thread	螺纹长度 GL	德制螺纹 PG	螺纹长度 GL	扳手尺寸 Wrench Size	包装单位 Packet Units
* Ø6	G1/4"	14	M12 / M14	12	PG7	12	18/17	75
* Ø8	G3/8"	14	M14 / M16	12	PG9	12	20/19	75
* Ø10	G3/8"	14	M16	12	PG9	12	24/22	32
* Ø12	G3/8"	14	M18 / M20	12	PG11/ PG13.5	12	26/24	18
Ø15	G1/2"	14	* M20 / * M22 / * M24	12/12/14	* PG13.5 / * PG16	12	30/28	18
Ø20	G3/4"	14	M25 / * M27 / * M30	14	* PG21	14	36/34	18
Ø25	* G1"	17	M32 / * M33 / * M36	14	* PG29	14	45/40	8
* Ø32	G1 1/4"	17	M36 / M40 / M42 / M48	14/17/17/17	PG29	14	55/50	8
* Ø38	G1 1/2"	17	M48 / M50	17	PG36 / PG42	17	60/55	2
* Ø51	G2"	17	M60 / M63 / M64 / M72	17	PG48	17	75/70	2
* Ø64	G2 1/2"		M76				90/86	2
* Ø75	G3"		M88				100	1
* Ø100	G4"		M114					1
* Ø125	G5"		M140					1
* Ø150	G6"		M164					1

★ 所有规格材质可以提供不锈钢DPNS系列和铝合金DPNAL系列
Stainless steel DPNS series and aluminum alloy DPNAL series are available for all specifications.

USPZ 带锁紧金属软管接头 Metal Conduit Connector With Strain Relief

- 材料: 外部金属为黄铜镀镍; 密封件为改性橡胶; 芯套为PA6, 软管护口为SUS 304, 软管护圈为TPE
 - 温度: -40°C~100°C, 短时达到120°C
 - 防护等级: 最高IP65
-
- Material: The outer metal is nickel-plated brass; The seal is modified rubber; Core retainer PA6, ferrule SUS 304, bushing TPE
 - Temperature range: Min-40 °C, Max100 °C, Short-term120 °C
 - Protection degree: IP65



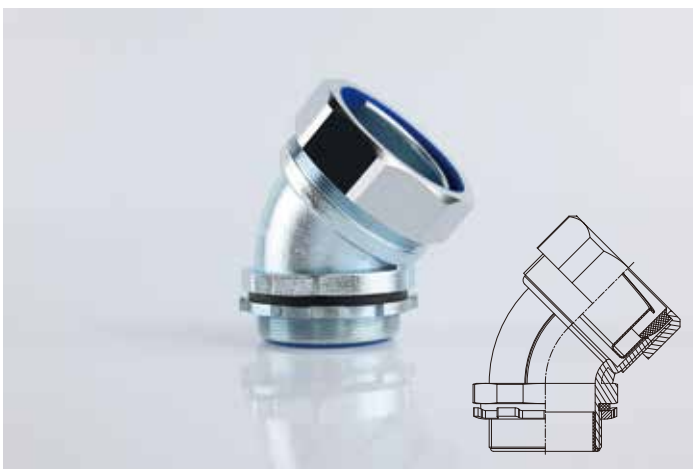
USPZ-PG 德国PG制螺纹 German PG Thread

规格型号 Article no.	螺纹规格 Thread mm	卡口范围 Clamping mm	螺纹长度 GL	扳手尺寸 Wrench Size mm	(H) mm	适配软管(公称内径) Fits to Tubing Size (Nominal)mm	包装单位 Packet Units
USPZ-P07/Φ6	PG7	3~5	6	18/17/14	31.7	Φ6	50
USPZ-P09/Φ8	PG9	4~7	7	20/19/17	33	Φ8	50
USPZ-P11/Φ10	PG11	5~8	6	24/22/20	37	Φ10	32
USPZ-P13.5/Φ12	PG13.5	6~11	7	26/26/22	42.4	Φ12	9
USPZ-P16/Φ15	PG16	8~14	7	30/28/24	43	Φ15	9
USPZ-P21/Φ20	PG21	13~18	7	36/34/30	47	Φ20	9
USPZ-P29/Φ25	PG29	18~24	8	45/40/40	56.8	Φ25	4
USPZ-P36/Φ32	PG36	22~30	9	55/52/50	65	Φ32	4
USPZ-P42/Φ38	PG42	30~37	9	60/58/58	68.8	Φ38	2
USPZ-P48/Φ51	PG48	37~44	10	75/75/65	72.7	Φ51	1

USPZ-M 公制螺纹 Metric Thread

规格型号 Article no.	螺纹规格 Thread mm	卡口范围 Clamping mm	螺纹长度 GL	扳手尺寸 Wrench Size mm	H mm	适配软管(公称内径) Fits To Tubing Size (Nominal inner)mm	包装单位 Packet Units
USPZ-M12/Φ6	M12×1.5	3~5	6	18/17/14	30.7	Φ6	50
USPZ-M16/Φ8	M16×1.5	4~7	7	20/19/18	33	Φ8	50
USPZ-M18/Φ10	M18×1.5	5~8	7	24/22/20	37	Φ10	32
USPZ-M20/Φ12	M20×1.5	6~11	7	26/26/22	42.4	Φ12	9
USPZ-M20/Φ15	M20×1.5	6~12	7	30/28/22	43	Φ15	9
USPZ-M22/Φ15	M22×1.5	8~14	7	30/28/24	43	Φ15	9
USPZ-M24/Φ15	M24×1.5	8~14	7	30/28/27	43	Φ15	9
USPZ-M25/Φ15	M25×1.5	10~14	7	30/28/28	44	Φ15	9
USPZ-M25-D/Φ20	M25×1.5	13~18	7	36/34/30	47	Φ20	9
USPZ-M32-H/Φ20	M32×1.5	13~18	8	36/34/36	47	Φ20	9
USPZ-M32/Φ25	M32×1.5	15~22	8	45/40/36	51.8	Φ25	4
USPZ-M36-H/Φ25	M36×2.0	15~22	8	45/40/40	51.8	Φ25	4
USPZ-M40/Φ32	M40×1.5	22~30	9	55/52/45	62	Φ32	4
USPZ-M48/Φ32	M48×2.0	22~30	9	55/52/55	65	Φ32	4
USPZ-M40-D/Φ38	M40×1.5	22~32	9	60/55/50	67.3	Φ38	2
USPZ-M50/Φ38	M50×1.5	30~37	9	60/58/55	68.8	Φ38	2
USPZ-M50/Φ51	M50×1.5	30~38	9	75/75/55	71.7	Φ51	1
USPZ-M60/Φ51	M60×2.0	37~44	10	75/75/65	72.7	Φ51	1

★ 所有规格材质可以提供不锈钢USPZS系列和铝合金USPZAL系列
Stainless steel USPZS series and aluminum alloy USPZAL series are available for all specifications.



DNJ 45° 弯接头
DNJ 45° curved connector

DWJ 90° 弯接头
DWJ90° curved connector

- 一端连接软管,一端成90°连接箱体,电机等设备,订货请注明软管规格及连接螺纹,例:DWJ-15-G1/2
- 一端连接软管,一端成45°连接箱体,电机等设备,订货请注明软管规格及连接螺纹,例:DNJ-15-G1/2

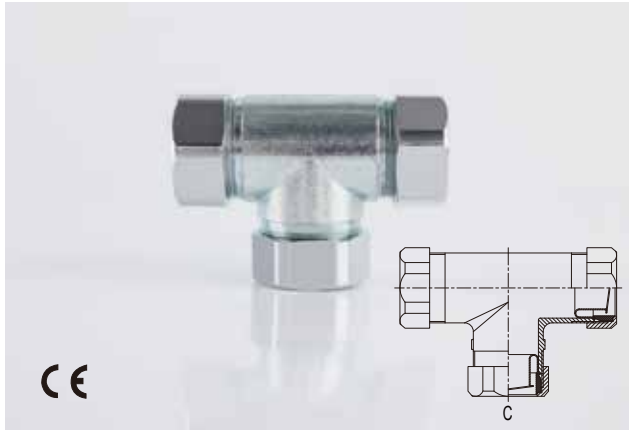
- One end is connected with conduit, and the other end is connected with box, motor and other equipment in a 90°. Please indicate conduit specification and connecting thread when ordering, for example: DPJ-15-G1/2
- One end is connected with conduit, and the other end is connected with box, motor and other equipment in a 45°, Please indicate conduit specification and connecting thread when ordering, for example: DNJ-15-G1/2

	规格型号 Specification		连接螺纹 For Thread G制	公制 Metric	包装单位 Packet Units
	公制Metric	英制English			
☆	Ø12	3/8"	G3/8"	M16	20
☆	Ø15	1/2"	G1/2"	M20	20
☆	Ø20	3/4"	G3/4"	M25	20
☆	Ø25	1"	G1"	M32	10
☆	Ø32	1 1/4"	G1 1/4"	M40	10
☆	Ø38	1 1/2"	G1 1/2"	M50	5
☆	Ø51	2"	G2"	M63	2
	Ø64	2 1/2"	G2 1/2"	M72	2
*	Ø75	3"	G3"		1
*	Ø100	4"	G4"		1

打“☆”为图中对应产品 Type "☆" as the corresponding product in the figure

DPT-T 型三通接头 Metal T-Distributor

- 材料: 锌合金
- 温度: -40°C~100°C
- 护圈: TPE 软管护口: 镀锌铁皮
- 例: DPT-20 25 12 此接头接三种规格金属软管其中最后一规格12为T脚见示意图C端



规格型号 Article no.	适配软管规格 For Conduit Size
DPT-101020	Ø10/Ø10/Ø20
DPT-122025	Ø12/Ø20/Ø25
DPT-122515	Ø12/Ø25/Ø15
DPT-122525	Ø12/Ø25/Ø25
DPT-151520	Ø15/Ø15/Ø20
DPT-151525	Ø15/Ø15/Ø25
DPT-152025	Ø15/Ø20/Ø25
DPT-152525	Ø15/Ø25/Ø25
DPT-152532	Ø15/Ø25/Ø32
DPT-153225	Ø15/Ø32/Ø25
DPT-202020	Ø20/Ø20/Ø20
DPT-202025	Ø20/Ø20/Ø25
DPT-202512	Ø20/Ø25/Ø12
DPT-202525	Ø20/Ø25/Ø25
DPT-202532	Ø20/Ø25/Ø32
DPT-252512	Ø25/Ø25/Ø12
DPT-252515	Ø25/Ø25/Ø15
DPT-252525	Ø25/Ø25/Ø25
DPT-252532	Ø25/Ø25/Ø32
DPT-253215	Ø25/Ø32/Ø15
DPT-253220	Ø25/Ø32/Ø20
DPT-253232	Ø25/Ø32/Ø32
DPT-323238	Ø32/Ø32/Ø38
DPT-382525	Ø38/Ø25/Ø25
DPT-383838	Ø38/Ø38/Ø38
DPT-513825	Ø51/Ø38/Ø25

DPY-Y 型三通接头 Metal Y-Distributor

- Material: Zinc alloy
- Temperature range: Min-40°C max 100°C
- Guarding: TPE Ferrule: Galvanized steel
- Eg: DPT-20 20 12 is suitable for three kinds of conduits, the last size 12 is for the T bottom corner part, pls check nterminal C in sketch figure



规格型号 Article no.	适配软管规格 For Conduit Size
DPY-121212	Ø12/Ø12/Ø12
DPY-121215	Ø12/Ø12/Ø15
DPY-121220	Ø12/Ø12/Ø20
DPY-121515	Ø12/Ø15/Ø15
DPY-121520	Ø12/Ø15/Ø20
DPY-122020	Ø12/Ø20/Ø20
DPY-122025	Ø12/Ø20/Ø25
DPY-122525	Ø12/Ø25/Ø25
DPY-122532	Ø12/Ø25/Ø32
DPY-123232	Ø12/Ø32/Ø32
DPY-151515	Ø15/Ø15/Ø15
DPY-151520	Ø15/Ø15/Ø20
DPY-152025	Ø15/Ø20/Ø25
DPY-152525	Ø15/Ø25/Ø25
DPY-152532	Ø15/Ø25/Ø32
DPY-153232	Ø15/Ø32/Ø32
DPY-202020	Ø20/Ø20/Ø20
DPY-202025	Ø20/Ø20/Ø25
DPY-202032	Ø20/Ø20/Ø32
DPY-202525	Ø20/Ø25/Ø25
DPY-202532	Ø20/Ø25/Ø32
DPY-203232	Ø20/Ø32/Ø32
DPY-252525	Ø25/Ø25/Ø25
DPY-252532	Ø25/Ø25/Ø32
DPY-253232	Ø25/Ø32/Ø32
DPY-322520	Ø32/Ø25/Ø20
DPY-323232	Ø32/Ø32/Ø32
DPY-323238	Ø32/Ø32/Ø38
DPY-383838	Ø38/Ø38/Ø38

SPR-AS 金属软管 Metal Conduit

- 结构: 镀锌钢带绕制而成, 钩状侧面
- 温度范围: 最高耐温至220°C
- 防护等级: IP40(按照EN60529)
- 性能: 高度灵活, 抗拉伸, 抗侧面压缩

- Structure: Zinc plated steel belt wound, hooked profile
- Temperature range: max. 220 °C
- Protection degree: IP40 according to EN60529
- Properties: Highly flexible, stretch resistant, lateral compression resistant



规格型号 Article no.	内径×外径 ID×OD mm×mm	弯曲半径 Bending Radius mm±10%	重量 Weight kg/m±10%	包装单位 (米/卷)PU (m/ring)
SPR-AS AD10	7×10	25	0.064	100
SPR-AS AD14	11×14	33	0.102	100
SPR-AS AD17	14×17	36	0.13	100
SPR-AS AD19	15.6×19	37	0.15	100
SPR-AS AD21	17.6×21	40	0.173	50
SPR-AS AD27	23.2×27	55	0.3	50
SPR-AS AD36	31×36	68	0.526	25
SPR-AS AD45	40×45	86	0.69	25
SPR-AS AD56	51×56	113	0.82	20

WEYERgraff-AS 金属软管 Metal Conduit

- 结构: 镀锌钢带绕制而成, 双层重叠
- 温度范围: 最高耐温至220°C
- 防护等级: IP40
- 性能: 高度灵活, 非常高的抗拉力和扭力

- Structure: Strip-wound galvanized metallic conduit, double overlapped profile
- Temperature range: Max. 220 °C
- Protection degree: IP40
- Properties: Very flexible, high tensile and twisting strength



规格型号 Article no.	内径×外径 ID×OD mm×mm	弯曲半径 Bending Radius mm±10%	重量 Weight kg/m±10%	包装单位 (米/卷)PU (m/ring)
WEYERgraff-AS AD14	11.2×14	45	0.13	100
WEYERgraff-AS AD17	14×17	60	0.25	100
WEYERgraff-AS AD19	16×19	63	0.28	100
WEYERgraff-AS AD21	18×21	70	0.3	50
WEYERgraff-AS AD27	23.2×27	90	0.39	50
WEYERgraff-AS AD36	31×36	130	0.75	50
WEYERgraff-AS AD45	40.2×45	170	0.95	50
WEYERgraff-AS AD56	51×56	220	1.2	50

SPR-PVC-AS 金属包塑软管 Metal Conduit With PVC Sheathing

- 结构: 镀锌钢带绕制而成, 钩状侧面, 外包PVC塑料
- 颜色: 灰色 (RAL 7037) 黑色 (RAL 9005)
- 温度: -25°C~80°C, 短时达到100°C
- 防护等级: IP68(按照EN60529)
- 阻燃等级: V0(UL94)
- 性能: 灵活性好, 抗压、防水、耐酸油等。符合DIN49012标准

- Structure: Strip-wound galvanized metallic conduit, hooked profile PVC sheathing
- Color: Grey (RAL 7037), black (RAL 9005)
- Temperature range: Min-25°C, max 80 °C, short-term 100°C
- Protection degree: IP68 according to EN 60529
- Flame-retardant: V0(UL94)
- Properties: Very flexible, compression resistant, watertight, highly resistant to acids and oils, DIN49012

★ 订货编号: #=B(黑色)、G(灰色)
Order number: #=B(Black)、G(Dark grey)



规格型号 Article no.	内径×外径 ID×OD mm×mm	弯曲半径 Bending Radius mm±10%	重量 Weight kg/m±10%	包装单位 (米/卷)PU (m/ring)
SPR-PVC-AS AD10 #	7×10.2	40	0.085	100
SPR-PVC-AS AD14 #	10×14.2	56	0.135	100
SPR-PVC-AS AD17 #	13×17.2	65	0.17	100
SPR-PVC-AS AD19 #	15.5×19.9	80	0.2	100
SPR-PVC-AS AD21 #	17×21.4	85	0.22	50
SPR-PVC-AS AD27 #	22×26.8	110	0.34	50
SPR-PVC-AS AD36 #	29.5×35.6	130	0.62	25
SPR-PVC-AS AD45 #	38×45	150	0.82	25
SPR-PVC-AS AD56 #	49×56	220	0.97	20

SPR-PU-AS 金属包塑软管 Metal Conduit With PU Sheathing

- 结构: 镀锌钢带绕制而成, 钩状结构, 外包TPU聚氨酯护套
- 颜色: 灰色 (RAL 7037) 黑色 (RAL 9005)
- 温度: -40°C~100°C, 短时达到120°C
- 防护等级: IP68(按照EN60529)
- 阻燃等级: V0(UL94)
- 性能: 抗油、汽油, 广泛防溶剂和酸, 阻燃、无卤、高韧性、耐磨、耐低温, 灵活性好

- Structure: Zinc plated steel belt winding, hooked structure, TPU sheathing.
- Color: Grey (RAL 7037), black (RAL 9005)
- Temperature range: Min-40 °C, max 100 °C, short term 120 °C
- Protection degree: IP68 according to EN 60529
- Flame-retardant: V0(UL94)
- Properties: oils, benzene and grease resistant widely resistant to solvents and acids V0, halogen-free, high tenacity and abrasion resistance, outstanding performance at low temperatures, very flexible..

★ 订货编号: #=B(黑色)、G(灰色)
Order number: #=B(Black)、G(Dark grey)



规格型号 Article no.	内径×外径 ID×OD mm×mm	弯曲半径 Bending Radius mm±10%	重量 Weight kg/m±10%	包装单位 (米/卷)PU (m/ring)
SPR-PU-AS AD10 #	7×10.2	45	0.085	100
SPR-PU-AS AD14 #	10×14.2	65	0.135	100
SPR-PU-AS AD17 #	13×17.2	80	0.17	100
SPR-PU-AS AD19 #	15.5×19.9	90	0.2	100
SPR-PU-AS AD21 #	17×21.4	95	0.22	50
SPR-PU-AS AD27 #	22×26.8	120	0.34	50
SPR-PU-AS AD36 #	29.5×35.6	140	0.62	25
SPR-PU-AS AD45 #	38×45	170	0.82	25
SPR-PU-AS AD56 #	49×56	240	0.97	20

WEYERgraff-PU-AS 金属包塑软管 Metal Conduit With PU Sheathing

- 结构: 镀锌钢带绕制而成, 双层重叠, 外包TPU聚氨酯护套
- 颜色: 灰色 (RAL 7037) 黑色 (RAL 9005)
- 温度: -40°C~100°C, 短时达到120°C
- 防护等级: IP68(按照EN60529)
- 性能: 非常高的抗拉力和扭力, 抗油、溶剂和酸, 耐低温, 阻燃、无卤、高防护, 灵活性好

- Structure: Strip-wound galvanized metallic conduit, double overlapped profile overlapped profile PU sheathing
- Color: Grey (RAL 7037), black (RAL 9005)
- Temperature range: Min-40 C ,max 100 C ,short term 120 C
- Protection degree: IP68 according to EN 60529
- Properties: High tensile and twisting strength resistant to oil, solvents and acids, outstanding performance at low temperatures, flame-resistant, halogen-free, high shielding, very flexible



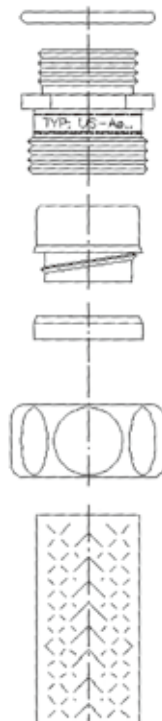
规格型号 Article no.	内径×外径 ID×OD mm×mm	弯曲半径 Bending Radius mm±10%	重量 Weight kg/m±10%	包装单位 (米/卷)PU (m/ring)
* WEYERgraff-PU-AS AD14	11×14	50	0.164	100
WEYERgraff-PU-AS AD17	13×17	67	0.29	100
WEYERgraff-PU-AS AD19	15×19	70	0.33	100
WEYERgraff-PU-AS AD21	17×21	78	0.35	50
WEYERgraff-PU-AS AD27	22×27	100	0.46	50
WEYERgraff-PU-AS AD36	29×36	150	0.86	25
WEYERgraff-PU-AS AD45	38×45	190	1.1	25
* WEYERgraff-PU-AS AD56	49×56	240	1.42	25

US/USP 金属软管接头 Metal Tubing Connector

- 防护等级: 最高IP65(按照EN60529)
- 温度: -40°C~100°C
- 材质: 接头体: 黄铜镀镍
- 密封圈: 改性橡胶
- 护套: 黄铜(USP), 黄铜镀镍(US)
- 密封套: TPE
- 螺纹规格: PG螺纹(DIN40430)、公制螺纹(EN60423)及国标公制和管螺纹等
- 结构: 结构简单, 按装方便, 非常美观

- Protection degree: IP65(as per EN 60529)
- Temperature range: Min-40 C ,max 100 C
- Material: connector body: nickel-plated brass
- O-ring: modified rubber
- Ferrule: brass(USP), nickel-plated brass (US)
- Sealing ring:TPE
- Thread: PG thread (DIN 40430) metric thread(EN60423), Chinese metric thread and G thread etc
- Structure: Simple structure, easy to assembly, perfect appearance

安装示意图 Assembly Delineation



A

B

C

D

E

F

A = O-ring

B = Connector body

C = Ferrule

D = Sealing ring

E = pressure nut

F = Conduit

O型密封圈

接头体

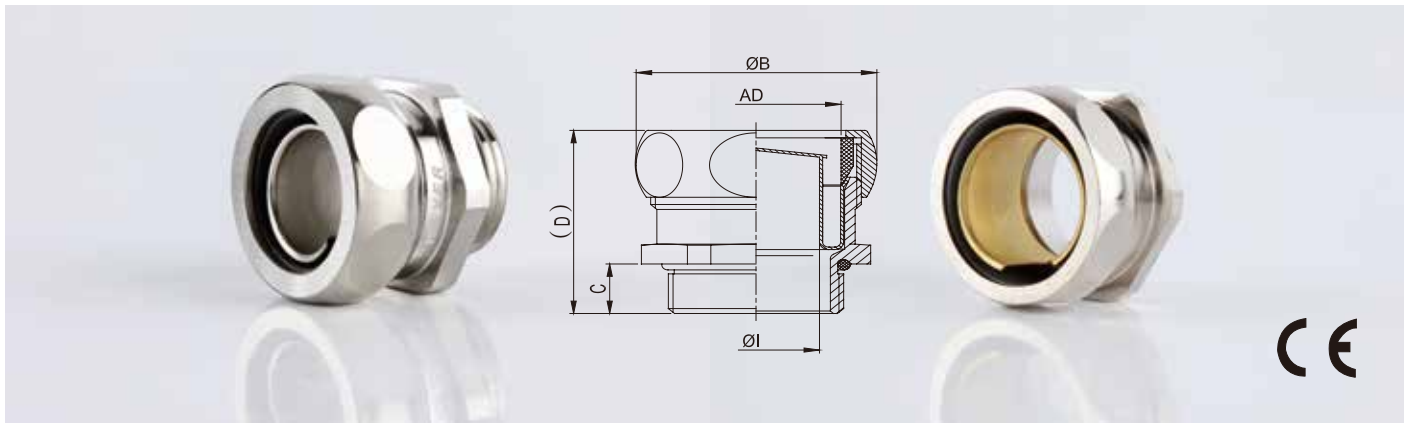
护套

密封套

压紧螺母

金属软管

US/USP 金属软管接头 Metal Tubing Connector



- US接头主要用于连接SPR-AS或WEYERgraff-AS软管
- USP接头主要用于连接SPR-PVC-AS、SPR-PU-AS、WEYERgraff-PU-AS金属软管
- US connectors fit with SPR-AS or WEYERgraff-AS tubing
- USP connector are mainly for SPR-PVC-AS、SPR-PU -AS and WEYERgraff-PU-AS tubing

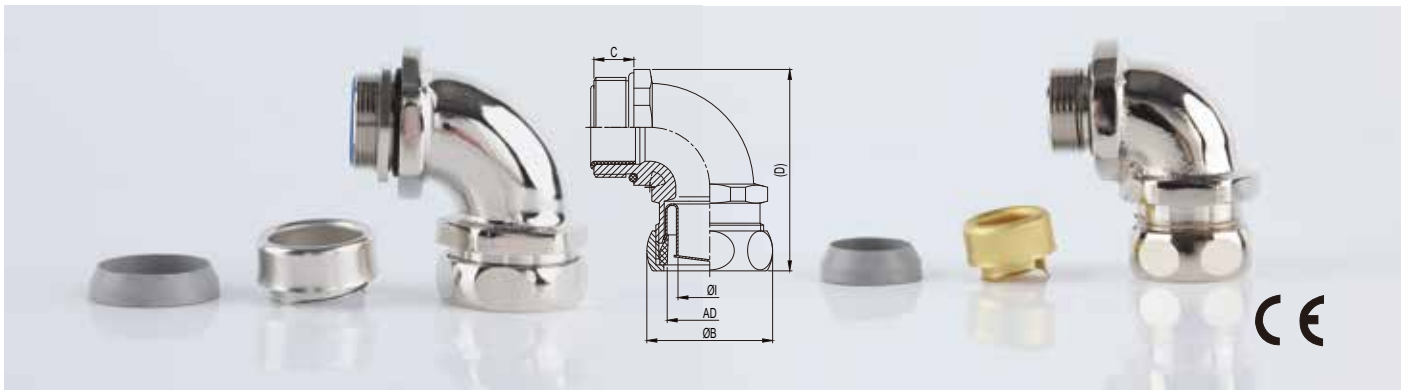
US/USP-M 公制螺纹 Metric Thread

规格型号 Article no.	φI mm	规格型号 Article no.	φI mm	螺纹规格 Thread	适配软管 Fits to Tu Bing Size	φB mm	C mm	(D) mm	SW1 mm	SW2 mm	包装单位 Packet Units
US-M10/AD10	6.5	USP-M10/AD10	6	M10×1.0	AD 10	18.3	6	23	15	17	75
US-M12/AD14	10	USP-M14/AD14	8.5	M12×1.5	AD 14	22.5	6	24	19	21	32
US-M16/AD17	12.5	USP-M16/AD17	11.5	M16×1.5	AD 17	28	7	27	23	26	18
US-M18/AD19	14.5	USP-M18/AD19	13.5	M18×1.5	AD 19	29	7	27	26	27	18
US-M20/AD21	16.5	USP-M 20/AD21	15.5	M20×1.5	AD 21	32.5	7	27	27	30	18
US-M25/AD27	21	USP-M25/AD27	20	M25×1.5	AD 27	39	7	34	34	36	18
US-M32/AD36	29	USP-M32/AD36	27.5	M32×1.5	AD 36	48	8	35.5	45	45	8
US-M40/AD45	38	USP-M40/AD45	36.5	M40×1.5	AD 45	58	9	38.1	52	55	8
US-M50/AD56	49	USP-M50/AD56	47.5	M50×1.5	AD 56	69	9	42	65	65	2
US-M63/AD56	49	USP-M63/AD56	47.5	M63×1.5	AD 56	75	10	42	70	70	2

US/USP-P 德国 PG 螺纹 PG Thread

规格型号 Article no.	φI mm	规格型号 Article no.	φI mm	螺纹规格 Thread	适配软管 Fits to Tubing Size	φB mm	C mm	(D) mm	SW1 mm	SW2 mm	包装单位 Packet Units
US-P07/AD10	6.5	USP-P07/AD10	6	PG7	AD10	18.3	6	23	15	17	75
US-P09/AD14	10	USP-P09/AD14	8.5	PG9	AD14	23	7	35	19	21	32
US-P11/AD17	12.5	USP-P11/AD17	11.5	PG11	AD17	28	7	27	24	26	18
US-P13.5/AD19	14.5	USP-P13.5/AD19	13.5	PG13.5	AD19	29	7	27	26	27	18
US-P16/AD21	16.5	USP-P16/AD21	15.5	PG16	AD21	32.5	7	27	27	30	18
US-P21/AD27	21	USP-P21/AD27	20	PG21	AD27	39	7	34	34	36	8
US-P29/AD36	29	USP-P29/AD36	27.5	PG29	AD36	48	8	35.6	45	45	8
US-P36/AD45	38	USP-P36/AD45	36.5	PG36	AD45	58	9	38.1	52	55	8
US-P48/AD56	49	USP-P48/AD56	47.5	PG48	AD56	69	10	42	65	65	2

USW/USWP 直角接头 Elbow Connector



- USW接头主要用于连接SPR-AS或WEYERgraff-AS软管
- USWP接头主要用于连接SPR-PVC-AS、SPR-PU-AS WEYERgraff-PU-AS软管
- USW connector fits with SPR-AS or WEYERgraff-AS tubing
- USWP connector fits with SPR-PVC-AS, SPR-PU-AS WEYERgraff-PU-AS tubing

USW/USWP-M 公制螺纹 Metric Thread

规格型号 Article no.	φI mm	规格型号 Article no.	φI mm	螺纹规格 Thread	适配软管 Fits to Tubing Size	φB mm	C mm	D mm	SW mm	包装单位 Packet Units
* USW	6.5	USWP	6	M12/M14/M16	AD10	19	8	33	17	25
* USW	10	USWP	8.5	M14/M16/M18	AD14	24	9	43	21	25
* USW	12.5/14.5	USWP	11.5/13.5	M18/M20/M22	AD17/AD19	28	10	55	25	20
* USW	16.5	USWP	15.5	M20/M22/M25/M27	AD21	32.5	10	56	29	20
* USW	21.5	USWP	20	M25/M27/M30/M32	AD27	39	14	73	34	10
* USW	29	USWP	27.5	M32/M36 /M40/M42	AD36	48	14	90	43	10
* USW	38	USWP	36.5	M40/M42/M48/M50	AD45	58	14	105	55	5

USW/USWP-P 德国 PG 螺纹 PG Thread

规格型号 Article no.	φI mm	规格型号 Article no.	φI mm	螺纹规格 Thread	适配软管 Fits to Tubing Size	φB mm	C mm	D mm	SW mm	包装单位 Packet Units
* USW	6.5	USWP	6	PG7/PG9	AD10	19	8	33	17	25
* USW	10	USWP	8.5	PG9/PG11	AD14	24	9	43	21	25
* USW	12.5/14.5	USWP	11.5/13.5	PG11/PG13.5	AD17/AD19	28	10	55	25	20
* USW	16.5	USWP	15.5	PG13.5/PG16	AD21	32.5	10	56	29	20
* USW	21	USWP	20	PG16/ PG21	AD27	39	14	73	34	10
* USW	29	USWP	27.5	PG21/ PG29	AD36	48	14	90	43	10
* USW	38	USWP	36.5	PG29/ PG36	AD45	58	14	10.5	55	5

USW/USWP-G G制管螺纹 G Pipe Thread

规格型号 Article no.	φI mm	规格型号 Article no.	φI mm	螺纹规格 Thread	适配软管 Fits to Tubing Size	φB mm	C mm	D mm	SW mm	包装单位 Packet Units
* USW	6.5	USWP	6	G1/4"/G3/8"	AD10	19	8	33	17	25
* USW	10	USWP	8.5	G3/8"	AD14	24	9	43	21	25
* USW	12.5/14.5	USWP	11.5/13.5	G3/8"/G1/2"	AD17/AD19	28	10	55	25	20
* USW	16.5	USWP	15.5	G1/2"/ G3/4"	AD21	32.5	10	56	29	20
* USW	21	USWP	20	G3/4"	AD27	39	14	73	34	10
* USW	29	USWP	27.5	G1"/ G1 1/4"	AD36	48	14	90	43	10
* USW	38	USWP	36.5	G1 1/4"/ G1 1/2"	AD45	58	14	105	55	5

电缆防水接头系列 Cable Gland Series



电缆防水夹紧接头主要用于对电缆夹、固定、防水、防尘。广泛应用于控制柜、仪器仪表、灯具、机械设备、机车、电机马达、工程等领域。我们可以同时提供灰白色 (RAL7035), 浅灰色 (Pantone538), 深灰色 (RAL7037), 黑色 (RAL9005) 和蓝色 (RAL5012) 的电缆防水接头以及防核辐射电缆防水接头。

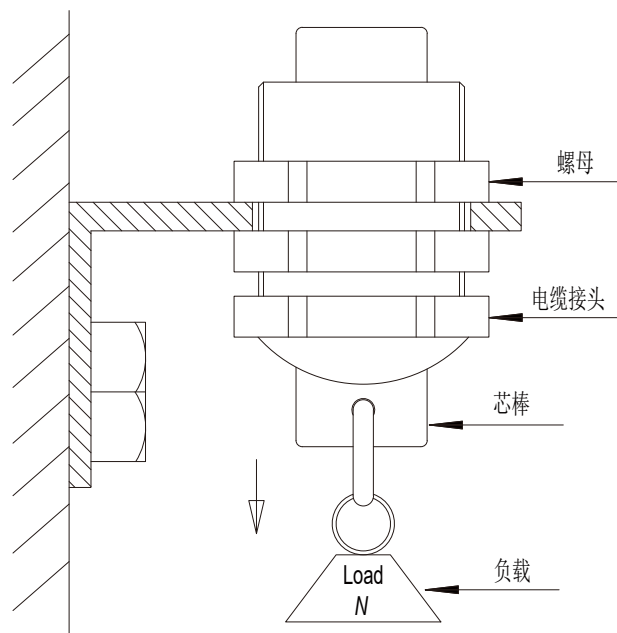
Cable glands are mainly used to clamp, fix and protect the cables from water and dust. They are widely applied to such fields as contril boards, apparatuses, lights, mechanical equipments, train, motors, engineering etc. We can provide you with cable glands of white grey(RAL7035), light grey(Pantone538), deep grey(RA 7037), black (RAL9005), blue (RAL5012) and nuclear radiation-proof cable glands.

电缆防水接头性能测试方法、测试报告

Testing Methods And Testing Reports For Cable Gland



电缆接头夹紧扭矩测试
Torque moment test according to EN50262



电缆接头夹紧拉力测试
Tensile force test according to EN50262

铁道部产品质量监督检验中心车辆检验站 检验报告首页			
产品名称	金属、塑料电缆接头	型号规格	PG7~PG48/M12~M63
委托单位	上海文敏电器有限公司		
制造单位	上海文敏电器有限公司		
检验类别	委托送样检验	样品来源	送样
抽样日期		样品数量	1套
生产日期批		样品编号	045056
样品到达日期	2004.8.7	样品状态说明	未发现明显的外观缺陷
抽样方案			
检验依据	TB/T 333-2002及IEC 60077-1999《铁路应用 机车车辆电气设备》		
检验项目	1.振动试验, 2.冲击试验		
检验主要仪器设备	振动试验台、冲击试验台等		
检验地点	电器设备试验室	检验日期	2004.8.8
检验结论	对样品, 依据《铁路应用 机车车辆电气设备》标准项目进行符合性检验, 符合《铁路应用 机车车辆电气设备》的要求。 (检验报告专用章)		
备注	送样人: 王同洪		

振动冲击测试
Vibration and impact test according to IEC-60077-1999

国家采煤机械质量监督检验中心 检验报告			
NO.0502848	第 2 页 第 1 页		
产品名称	塑料电缆防水接头	型号规格	M12-M63/PG7-PG48
委托单位	上海文敏电器有限公司	检验类别	委托检验
生产单位	上海文敏电器有限公司	样品等级	合格品
样品数量	1批	抽样地点	
抽样基数		送/抽样日期	2003年11月12日
送/抽样人员	宋良	抽样日期	
检验日期	2005年11月13日	出厂编号	
检验依据	GB4942.2-93《低压电器外壳防护等级》		
检验项目	防护等级(IP65)		
检验结论	依据 GB4942.2-93《低压电器外壳防护等级》, 该样品所检项目合格。 (检验报告专用章)		
备注	检验日期: 2005.11.13 批准: 刘春... 审核: 王文... 检验员: ...		

IP防护等级的测试
IP degree test according to IEC60529

HSK 尼龙电缆防水接头 Plastic Cable Gland

- 材料: 尼龙 密封件材料:改性橡胶
- 颜色: 灰白色(RAL7035),黑色(RAL9005)
- 温度: -40°C~100°C,短时达到120°C
- 防护等级: 在规定的卡口范围内,并使用合适的O形密封圈,防护等级可以达到IP68
- 阻燃等级: V2(UL94),不含卤素、磷、镉,通过RoHS测试,耐UV,通过抗老化测试

- Material: Polyamide, Sealing: modified rubber
- Color: Grey white (RAL 7035), black (RAL9005)
- Temperature range: Min-40 °C ,max100 °C ,short-term120 °C
- Protection degree: Using suitable O-ring within the clamping range, its protection degree can reach IP68
- Properties: V2(UL94), free of halogen, phosphor and cadmium, passed RoHS UV-resistance, anti-aging certificates



HSK-M 公制螺纹 Metric Thread

规格型号 Article no.	螺纹规格 Thread Dimension	卡口范围 Clamping Range mm	螺纹外径 AG mm	螺纹长度 GL mm	(H) mm	扳手尺寸 Wrench Size mm	包装单位 Packet Units
HSK-M12 #	M12×1.5	3~6.5	12	8	20	15	100
HSK-M16 #-H	M16×1.5	2.5~6	16	8	22	19	100
HSK-M16 #	M16×1.5	4~8	16	8	22	19	100
HSK-M16 #-D	M16×1.5	5~10	16	8	25	22	100
HSK-M18 #	M18×1.5	5~10	18	8	25	22	100
HSK-M20 #-H	M20×1.5	5~9	20	9	26.5	24	100
HSK-M20 #	M20×1.5	6~12	20	9	26.5	24	100
HSK-M20 #-D	M20×1.5	8~14	20	10	28	27	50
HSK-M22 #-H	M22×1.5	7~12	22	10	28	27	50
HSK-M22 #	M22×1.5	8~14	22	10	28	27	50
HSK-M24 #-H	M24×1.5	7~12	24	10	28	27	50
HSK-M24 #	M24×1.5	8~14	24	10	28	27	50
HSK-M25 #-H	M25×1.5	11~16	25	11	31.5	33	50
HSK-M25 #	M25×1.5	13~18	25	11	31.5	33	50
HSK-M27 #-H	M27×2.0	11~16	27	11	31.5	33	50
HSK-M27 #	M27×2.0	13~18	27	11	31.5	33	50
HSK-M30 #-H	M30×2.0	11~16	30	11	31.5	33	50
HSK-M30 #	M30×2.0	13~18	30	11	31.5	33	50
HSK-M32 #-H	M32×1.5	14~21	32	11	39	42	25
HSK-M32 #	M32×1.5	18~25	32	11	39	42	25
HSK-M33 #	M33×2.0	18~25	33	11	39	42	25
HSK-M36 #-H	M36×2.0	14~21	36	11	39	42	25
HSK-M36 #	M36×2.0	18~25	36	11	39	42	25
HSK-M40 #	M40×1.5	22~32	40	13	48.5	53	10
HSK-M42 #	M42×2.0	22~32	42	13	46.5	53	10
HSK-M48 #	M48×2.0	22~32	48	13	48.5	53	10
HSK-M50 #	M50×1.5	30~38	50	15	47.3	60	10
HSK-M50 #-D	M50×1.5	31~41	50	20	50	64	10
HSK-M56 #	M56×2.0	30~38	56	15	47.3	60	10
HSK-M60 #	M60×2.0	37~44	60	15	47	68	5
HSK-M63 #	M63×1.5	37~44	63	15	47	68	5
HSK-M64 #	M64×2.0	37~44	64	15	47	68	5
HSK-M72 #-H	M72×2.0	41~53	72	16	54	80	5
HSK-M72 #	M72×2.0	51~57	72	16	54	80	5

★ 订货编号: #-B(黑色)、G(灰白色) Order number: #-B(Black)、G(Grey white)

HSK 尼龙电缆防水接头 Plastic Cable Gland

- 材料: 尼龙 密封件材料:改性橡胶
- 颜色: 灰白色(RAL7035),黑色(RAL9005)
- 温度: -40°C~100°C,短时达到120°C
- 防护等级: 在规定的卡口范围内,并使用合适的O形密封圈,防护等级可以达到IP68
- 阻燃等级: V2(UL94),不含卤素、磷、镉,通过RoHS测试,耐UV,通过抗老化测试

- Material: Polyamide, Sealing: modified rubber
- Color: Grey white (RAL 7035), black (RAL9005)
- Temperature range: Min-40 °C, max100 °C, short-term 120 °C
- Protection degree: Using suitable O-sealings within the clamping range, its protection degree can reach IP68
- Properties: V2(UL94), free of halogen, phosphor and cadmium, passed RoHS UV-resistance, ageing-resistance certificates



HSK-M-L 加长型公制螺纹 Lengthened Metric Thread

规格型号 Article no.	螺纹规格 Thread Dimension	卡口范围 Clamping Range mm	螺纹外径 AG mm	螺纹长度 GL mm	(H) mm	扳手尺寸 Wrench Size mm	包装单位 Packet Units
HSK-M12 #L	M12×1.5	3~6.5	12	15	20	15	100
HSK-M16 #HL	M16×1.5	2.5~6	16	15	22	19	100
HSK-M16 #L	M16×1.5	4~8	16	15	22	19	100
HSK-M16 #DL	M16×1.5	5~10	16	15	25	22	100
HSK-M18 #L	M18×1.5	5~10	18	15	25	22	100
HSK-M20 #HL	M20×1.5	5~9	20	15	26.5	24	100
HSK-M20 #L	M20×1.5	6~12	20	15	26.5	24	100
HSK-M20 #DL	M20×1.5	8~14	20	15.5	28	27	50
HSK-M22 #HL	M22×1.5	7~12	22	15	28	27	50
HSK-M22 #L	M22×1.5	8~14	22	15	28	27	50
HSK-M24 #HL	M24×1.5	7~12	24	15	28	27	50
HSK-M24 #L	M24×1.5	8~14	24	15	28	27	50
HSK-M25 #HL	M25×1.5	11~16	25	15	31.5	33	50
HSK-M25 #L	M25×1.5	13~18	25	15	31.5	33	50
HSK-M32 #HL	M32×1.5	14~21	32	15	39	42	25
HSK-M32 #L	M32×1.5	18~25	32	15	39	42	25

HSK-N 60°NPT 制锥形螺纹 NPT Thread

HSK-G 55°管螺纹 G thread

规格型号 Article no.	螺纹规格 Thread Dimension	卡口范围 Clamping Range mm	螺纹外径 AG mm	螺纹长度 GL mm	(H) mm	扳手尺寸 Wrench Size mm	包装单位 Packet Units
HSK-N 3/8 #H	NPT3/8"	4~8	16.65	11	25	22	100
HSK-N 3/8 #	NPT3/8"	5~10	16.65	11	25	22	100
HSK-N 1/2 #H	NPT1/2"	5~9	20.85	13	26.5	24	100
HSK-N 1/2 #	NPT1/2"	6~12	20.85	13	26.5	24	100
HSK-N 3/4 #H	NPT3/4"	11~16	26.3	13	31.5	33	50
HSK-N 3/4 #	NPT3/4"	13~18	26.3	13	31.5	33	50
HSK-N 1 #H	NPT1"	14~21	33.15	16	39	42	25
HSK-N 1 #	NPT1"	18~25	33.15	16	39	42	25
HSK-G 1/2 #H	G 1/2"	5~9	20.99	9	26.5	24	100
HSK-G 1/2 #	G 1/2"	6~12	20.99	9	26.5	24	100
HSK-G 3/4 #	G 3/4"	13~18	26.44	11	31.5	33	50
HSK-G 1 #	G 1"	18~25	33.24	11	39	42	25
HSK-G 1 1/4 #	G 1 1/4"	22~32	41.91	13	48.5	53	10
HSK-G 1 1/2 #	G 1 1/2"	22~32	47.8	13	48.5	53	10
HSK-G 2 #	G 2"	37~44	59.61	15	47	65	5

★ 订货编号: #=B(黑色)、G(灰白色) Order number: #=B(Black)、G(Grey white)

HSK 尼龙电缆防水接头 Plastic Cable Gland

- 材料: 尼龙 密封件材料:改性橡胶
- 颜色: 灰白色(RAL7035),黑色(RAL9005)
- 防护等级: 在规定的卡口范围内, 并使用合适的O形密封圈, 防护等级可以达到IP68
- 温度: -40°C~100°C,短时达到120°C
- 阻燃等级: V2(UL94),不含卤素、磷、镉,通过RoHS测试,耐UV,通过抗老化测试

- Material: Polyamide, Sealing: modified rubber
- Color: Grey white (RAL 7035), black (RAL9005)
- Protection degree: Using suitable O-sealings within the clamping range, its protection degree can reach IP68
- Temperature range: Min-40 C ,max100 C ,short-term120 C
- Properties: V2(UL94), free of halogen, phosphor and cadmium, passed RoHSUV-resistance, ageing-resistance certificates



HSK-P/HSK-P-L 加长型 PG 螺纹 PG Thread/ Lengthened

规格型号 Article no.	螺纹规格 Thread Dimension	卡口范围 Clamping Range mm	螺纹外径 AG mm	螺纹长度 GL mm	(H) mm	扳手尺寸 Wrench Size mm	包装单位 Packet Units
HSK-P07 #	PG7	3~6.5	12.5	8	20	15	100
HSK-P09 #-H	PG9	2.5~6	15.2	8	22	19	100
HSK-P09 #	PG9	4~8	15.2	8	22	19	100
HSK-P11 #	PG11	5~10	18.6	8	25	22	100
HSK-P13.5 #-H	PG13.5	5~9	20.4	9	26.5	24	100
HSK-P13.5 #	PG13.5	6~12	20.4	9	26.5	24	100
HSK-P16 #-H	PG16	7~12	22.5	10	28	27	50
HSK-P16 #	PG16	8~14	22.5	10	28	27	50
HSK-P21 #-H	PG21	11~16	28.3	11	31.5	33	50
HSK-P21 #	PG21	13~18	28.3	11	31.5	33	50
HSK-P29 #-H	PG29	14~21	37	11	39	42	25
HSK-P29 #	PG29	18~25	37	11	39	42	25
HSK-P36 #	PG36	22~32	47	13	48.5	53	10
HSK-P42 #	PG42	30~38	54	15	47.3	60	10
HSK-P48 #	PG48	37~44	59.3	15	47	68	5
HSK-P07 #-L	PG7	3~6.5	12.5	15	20	15	100
HSK-P09 #-HL	PG9	2.5~6	15.2	15	22	19	100
HSK-P09 #-L	PG9	4~8	15.2	15	22	19	100
HSK-P11 #-L	PG11	5~10	18.6	15	25	22	100
HSK-P13.5 #-HL	PG13.5	5~9	20.4	15	26.5	24	100
HSK-P13.5 #-L	PG13.5	6~12	20.4	15	26.5	24	100
HSK-P16 #-HL	PG16	6~12	22.5	15	28	27	50
HSK-P16 #-L	PG16	8~14	22.5	15	28	27	50
HSK-P21 #-HL	PG21	11~16	28.3	15	31.5	33	50
HSK-P21 #-L	PG21	13~18	28.3	15	31.5	33	50
HSK-P29 #-HL	PG29	14~21	37	15	39	42	25
HSK-P29 #-L	PG29	18~25	37	15	39	42	25

★ 订货编号: #=B(黑色)、G(灰白色) Order number: #=B(Black)、G(Grey white)

HSK/nxd—多芯尼龙电缆防水接头 HSK/nxd—Plastic Cable Gland With Multi-Core

- 材料: 外部尼龙;密封件材料为硅橡胶
- 颜色: 灰白色(RAL7035),黑色(RAL9005)
- 温度: -40°C~100°C,短时达到120°C
- 防护等级: IP65 (在线径=孔径的情况下可达到IP68)
- 阻燃等级: V2(UL94),不含卤素、磷、镉,通过RoHS测试,耐UV,通过抗老化测试

- Material: Polyamide, Sealing: modified rubber
- Color: Grey white (RAL 7035), black (RAL9005)
- Protection degree: Using suitable O-sealings within the clamping range, its protection degree can reach IP65
- Temperature range: Min-40 °C, max100 °C, short-term 120 °C
- Properties: V2(UL94), free of halogen, phosphor and cadmium, passed RoHS UV-resistance, ageing-resistance certificates



HSK-M/nxd 公制螺纹 Metric Thread

规格型号 Article no.	螺纹规格 Thread Dimension	卡口(nxd) clamping mm	螺纹外径 AG mm	螺纹长度 GL mm	(H) mm	扳手尺寸 Wrench Size mm	包装单位 Packet Units
HSK-M16 #/2×3	M16×1.5	2×3	16	8	22	19	100
HSK-M18 #/2×4.5	M18×1.5	2×4.5	18	8	25	22	100
HSK-M18 #/2×4	M18×1.5	2×4	18	8	25	22	100
HSK-M18 #/3×3.3	M18×1.5	3×3.3	18	8	25	22	100
HSK-M20 #/2×5	M20×1.5	2×5	20	9	26.5	24	100
HSK-M20 #/6×2	M20×1.5	6×2	20	9	26.5	24	100
HSK-M20 #/3×4	M20×1.5	3×4	20	9	26.5	24	100
HSK-M20 #/6×3	M20×1.5	6×3	20	9	26.5	24	100
HSK-M24 #/2×6	M24×1.5	2×6	24	10	28	27	50
HSK-M24 #/3×5.6	M24×1.5	3×5.6	24	10	28	27	50
HSK-M24 #/3×4	M24×1.5	3×4	24	10	28	27	50
HSK-M24 #/4×4	M24×1.5	4×4	24	10	28	27	50
HSK-M24 #/5×4	M24×1.5	5×4	24	10	28	27	50
HSK-M24 #/6×4	M24×1.5	6×4	24	10	28	27	50
HSK-M25 #/2×8	M25×1.5	2×8	25	11	31.5	33	50
HSK-M25 #/3×7	M25×1.5	3×7	25	11	31.5	33	50
HSK-M25 #/4×6	M25×1.5	4×6	25	11	31.5	33	50
HSK-M32 #/4×9	M32×1.5	4×9	32	11	39	42	25
HSK-M32 #/6×6.5	M32×1.5	6×6.5	32	11	39	42	25
HSK-M40 #/2×15	M40×1.5	2×15	40	13	48.5	52	10
HSK-M40 #/5×9	M40×1.5	5×9	40	13	48.5	53	10
HSK-M40 #/6×8	M40×1.5	6×8	40	13	48.5	53	10
HSK-M40 #/7×9	M40×1.5	7×9	40	13	48.5	53	10
HSK-M63 #/3×18	M63×1.5	3×18	63	15	47	68	5
HSK-M63 #/6×12	M63×1.5	6×12	63	15	47	68	5

★ 订货编号: #=B(黑色)、G(灰白色) Order number: #=B(Black)、G(Grey white)

HSK/nxd—多芯尼龙电缆防水接头 HSK/nxd—Plastic Cable Gland With Multi-Core

- 材料: 外部尼龙 密封件材料:为硅橡胶
- 颜色: 灰白色(RAL7035),黑色(RAL9005)
- 温度: -40°C~100°C,短时达到120°C
- 防护等级: IP65 (在线径=孔径的情况下可达到IP68)
- 阻燃等级: V2(UL94),不含卤素、磷、镉,通过RoHS测试,耐UV,通过抗老化测试

- Material: Body,PA;sealing:modified rubber
- Color: Grey white (RAL 7035), Black (RAL9005)
- Temperature range: Min-40 °C,max100 °C,short-term 20 °C
- Protection degree: Using suitable O-sealings within the clamping range,its protection degree can reach IP68
- Properties: V2(UL94), free of halogen, phosphor and cadmium, passed RoHS UV-resistance, ageing-resistance certificates



HSK-P/nxd—PG 螺纹 PG Thread

规格型号 Article no.	螺纹规格 Thread Dimension	卡口(nxd) Clamping mm	螺纹外径 AG mm	螺纹长度 GL mm	(H) mm	扳手尺寸 Wrench Size mm	包装单位 Packet Units
HSK-P09 #/2×3	PG9	2×3	15.2	8	22	19	100
HSK-P11 #/6×3.5	PG11	6×3.5	18.6	8	25	22	100
HSK-P11 #/3×3.3	PG11	3×3.3	18.6	8	25	22	100
HSK-P11 #/2×4	PG11	2×4	18.6	8	25	22	100
HSK-P13.5 #/2×5	PG13.5	2×5	20.4	9	26.5	24	100
HSK-P13.5 #/6×2	PG13.5	6×2	20.4	9	26.5	24	100
HSK-P13.5 #/6×3	PG13.5	6×3	20.4	9	26.5	24	100
HSK-P16 #/2×6	PG16	2×6	22.5	10	28	27	50
HSK-P16 #/3×3	PG16	3×3	22.5	10	28	27	50
HSK-P16 #/3×4	PG16	3×4	22.5	10	28	27	50
HSK-P16 #/3×5.5	PG16	3×5.5	22.5	10	28	27	50
HSK-P16 #/4×4	PG16	4×4	22.5	10	28	27	50
HSK-P16 #/5×4	PG16	5×4	22.5	10	28	27	50
HSK-P16 #/6×4	PG16	6×4	22.5	10	28	27	50
HSK-P21 #/2×8	PG21	2×8	28.3	11	31.5	33	50
HSK-P21 #/3×7	PG21	3×7	28.3	11	31.5	33	50
HSK-P21 #/4×6	PG21	4×6	28.3	11	31.5	33	50
HSK-P29 #/4×9	PG29	4×9	37	11	39	42	25
HSK-P29 #/6×6.5	PG29	6×6.5	37	11	39	42	25
HSK-P36 #/2×15	PG36	2×15	47	13	48.5	53/52	10
HSK-P36 #/5×9	PG36	5×9	47	13	48.5	53	10
HSK-P36 #/7×9	PG36	7×9	47	13	48.5	53/52	10
HSK-P48 #/3×18	PG48	3×18	59.3	15	47	65	5
HSK-P48 #/6×12	PG48	6×12	59.3	15	47	65	5
HSK-P48 #/8×10	PG48	8×10	59.3	15	47	65	5

★ 订货编号: #=B(黑色)、G(灰白色) Order number: #=B(Black)、G(Grey white)

HSK-F 防折断尼龙电缆防水接头 HSK-F Breakage-proof Nylon Cable Waterproof Joints

- 材料: 尼龙 密封件材料:改性橡胶
- 颜色: 灰白色(RAL7035),黑色(RAL9005)
- 温度: -40°C~100°C,短时达到120°C
- 防护等级: 在规定的卡口范围内,并使用合适的O形密封圈,防护等级可以达到IP68
- 阻燃等级: V2(UL94),不含卤素、磷、镉,通过RoHS测试

- Material: Body: Polyamide, Sealing: modified rubber
- Color: Grey white (RAL 7035), black (RAL9005)
- Temperature range: Min -40 °C, max 100 °C, short-term 120 °C
- Protection degree: Using suitable O-sealings within the clamping range, its protection degree can reach IP68
- Properties: V2(UL94), free of halogen, phosphor and cadmium, passed RoHS



HSK-F-P 德国 PG 螺纹 German PG Thread

规格型号 Article no.	螺纹规格 Thread Dimension	卡口范围 Clamping Range	螺纹外径 AG AG	螺纹长度 GL Length	(H) mm	扳手尺寸 Wrench Size	包装单位 Packet Units
HSK-F-P07 #	PG7	3~6.5	12.5	8	55	15	50
HSK-F-P09 #	PG9	4~8	15.2	8	64.5	19	50
HSK-F-P11 #	PG11	5~10	18.6	8	73.5	22	50
HSK-F-P13.5 #	PG13.5	6~12	20.4	9	83	24	50
HSK-F-P16 #	PG16	8~14	22.5	10	92	27	25
HSK-F-P21 #	PG21	13~18	28.3	11	102	33	25

HSK-F-M 公制螺纹 Metric Thread

规格型号 Article no.	螺纹规格 Thread Dimension	卡口范围 Clamping Range	螺纹外径 AG AG	螺纹长度 GL Length	(H) mm	扳手尺寸 Wrench Size	包装单位 Packet Units
HSK-F-M12 #	M12×1.5	3~6.5	12	8	55	15	50
HSK-F-M16 #	M16×1.5	4~8	16	8	64.5	19	50
HSK-F-M20 #	M20×1.5	6~12	20	9	83	24	50
HSK-F-M20 #-D	M20×1.5	8~14	22.5	10	92	27	25
HSK-F-M25 #	M25×1.5	13~18	25	11	102	33	25

HSK-F-N NPT 螺纹 NPT Thread

规格型号 Article no.	螺纹规格 Thread Dimension	卡口范围 Clamping Range	螺纹外径 AG AG	螺纹长度 GL Length	(H) mm	扳手尺寸 Wrench Size	包装单位 Packet Units
HSK-F-NPT1/2 #	NPT1/2	6~12	20.85	13	83	24	50
HSK-F-NPT3/4 #	NPT3/4	13~18	26.3	13	102	33	25

★ 订货编号: #=B(黑色)、G(灰白色) Order number: #=B(Black)、G(Grey white)

WQPOVK 螺纹型防水透气阀 Waterproof Air Vent Plug With Thread

- 外部材料: 尼龙
- 防水透气膜材料: e-PTFE
- 颜色: 米白色 (RAL7035) 黑色 (RAL9005)
- 温度: -40°C~115°C
- 防护等级: IP68
- 防水透气膜: 进口GE品牌
- 标准透气量: >2000ml/min@70mbar
- 材料抗水压力: >0.2bar/min
- 阻燃等级: V0 (UL94 选配V0硅胶O型圈), 不含卤素、磷、镉, 通过RoHS测试
- External material: Polyamide
- Material of waterproof breathable membrane: e-PTFE
- Color: Off-white (RAL 7035) black (RAL 9005)
- Temperature range: Min-40 °C ,max115 °C
- Protection degree: IP67
- Membrane: imported material GE brand
- Standard ventilation quantity: >2000ml/min@70mbar
- Water pressure-resistant: >0.2bar/min
- Flame-retardant: V0 (UL94 V with Oring made from V0 silicon rubber) halogen,Self-extinguishing, free of Phosphor and cadmium,passed RoHS



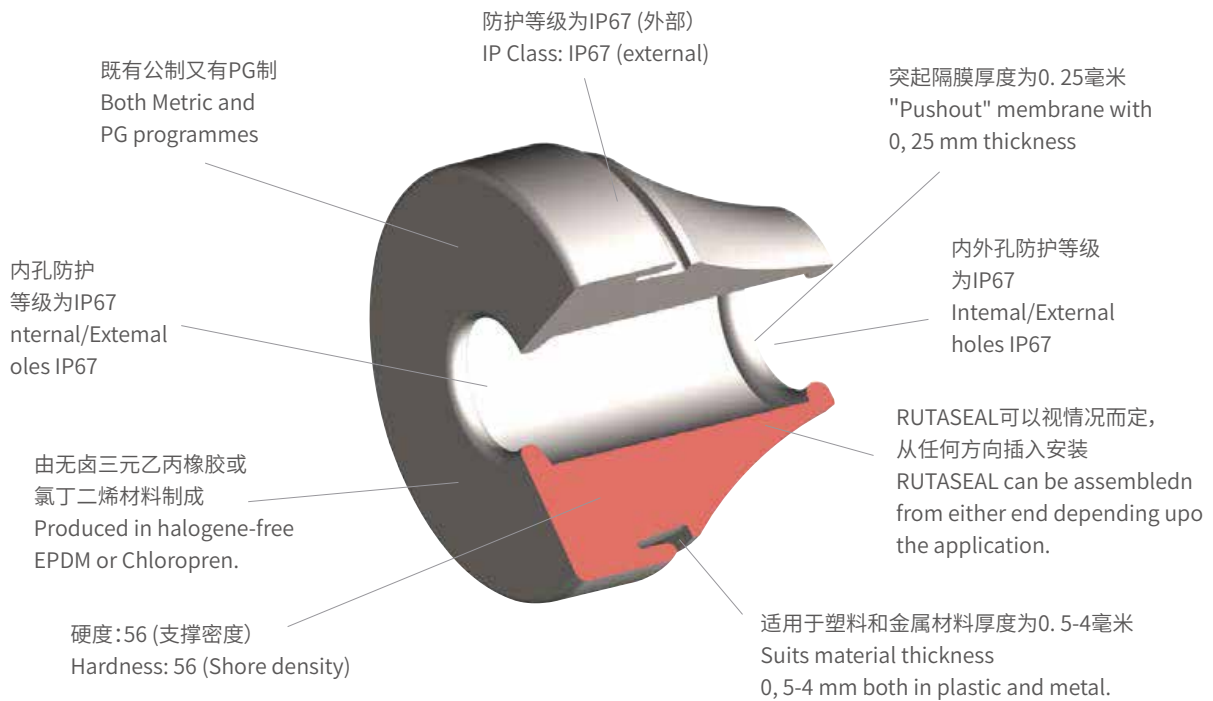
规格型号 Article no.	螺纹规格 Thread Dimension	螺纹长度C Thread Length	孔径 Φl mm	长度D Total Length mm	扳手尺寸 SW Wrench Size	包装单位 Packet Units
WQPOVK-M12 #-HJ	M12×1.5	10	7.3	16	16	100

★ 订货编号: #-B(黑色)、OW(米白色) Order number: #-B(Black)、OW(Off-white)





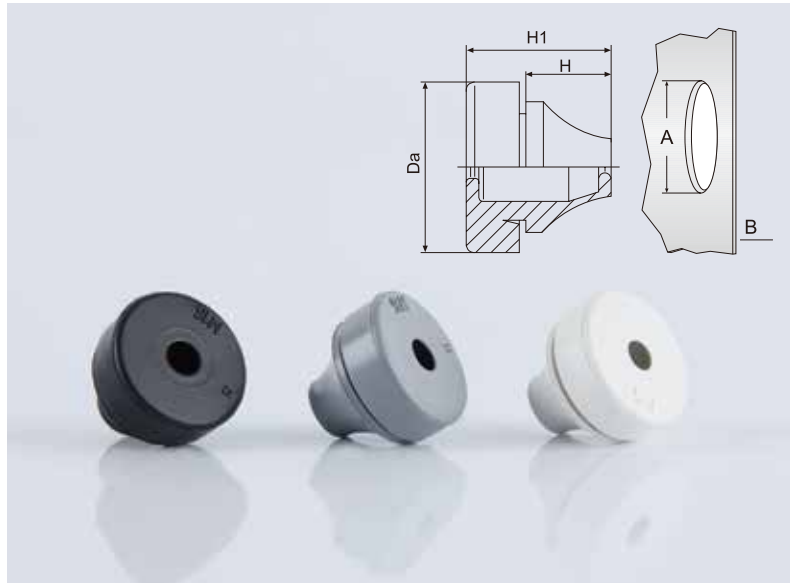
产品特性 Product features



RG 电缆密封环 Rubber Grommet

- 材料：三元乙丙橡胶，抗化学制品，耐气候适用于厚度为0.5-4毫米的材料上的孔，无需使用工具即可快速简便的安装
- 温度范围：-40°C到+110°C
- 防护等级：IP67(根据EN60529)
- 测试标准：SEMKO 44:1984
- SEMKO报告：0211038/01-07

- Material: Ethylene propylene diene rubber, chemical resistant, weather resistant, suitable for thickness of 0.5-4 millimeter material can be installed quickly and easily without using tools.
- Temperature range: 40C to + 110 degree C
- Protection level: IP67 (according to EN60529)
- Test criteria: SEMKO44:1984
- SEMKO Report: 0211038/01-07



RG 电缆密封环公制 Rubber Grommet Metric

规格型号 Article no.	螺纹规格 Size	卡口范围 For Cable/ Pipe φmm	A mm	B mm	Da mm	H mm	H1 mm	包装单位 Pcs Pack
RG-M12L #	M12	4-7	12.5	0.5-2.0	20	5.6	12.8	50
RG-M16L #	M16	5-9	16.5	1-4	21	11	17.7	50
RG-M20L #	M20	8-13	20.5	1-4	25.5	13.4	20	50
RG-M25L #	M25	11-17	25.5	1-4	30.32	15.5	21.42	50
RG-M32L #	M32	15-20	32.5	1-4	38.5	18.6	24.6	25
RG-M40L #	M40	19-28	40.5	1-4	48.5	21.7	29.5	25
RG-M50L #	M50	27-35	50.5	1-4	60.5	25	34.8	10

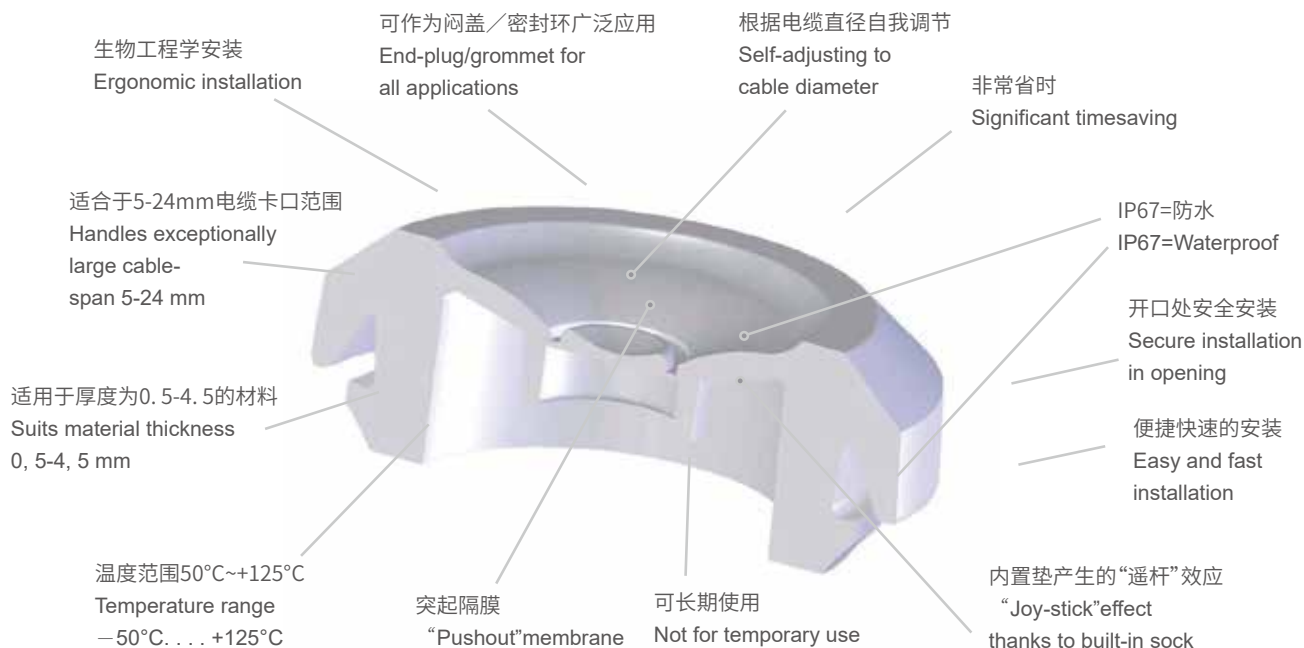
RG 电缆密封环PG制 Rubber Grommet Metric PG

规格型号 Article no.	螺纹规格 Size	螺纹外径 Thread AD mm	卡口范围 For Cable/ Pipe φmm	A mm	B mm	Da mm	H mm	H1 mm	包装单位 Pcs Pack
RG-P07L #	PG7	12.5	3-5	13	0.5-2	20	5.4	12.6	50
RG-P09L #	PG9	15.2	5-7	16	1-4	21	10.3	17.8	50
RG-P11L #	PG11	18.6	7-10	19	1-4	24	12.7	19.8	50
RG-P16L #	PG16	22.5	10-14	23	1-4	28	14.7	21.6	50
RG-P21L #	PG21	28.3	14-20	29	1-4	35	17.7	25.06	25
RG-P29L #	PG29	37	20-26	38	1-4	46	20	28.5	25
RG-P36L #	PG36	47	26-35	48	1-4	58	23.9	34.9	10

★ 订货编号：#-B(黑色)、LG(浅灰色)、G(灰白色)

Order number : #-B(Black)、LG(Light grey)、G(Grey white)

TSS 电缆密封环 Rubber Grommet



- 材料: TPE-热塑弹性体—UL认可材料
- 防护等级: IP67
- 温度范围: -50°C到+125°C
- 测试标准: IEC 60529, IP67
- SEMKO报告: M16-708555-1, M20-708555-2
M25-708555-3, M32-708555-4
- 无卤
适用于厚度为0.5-4.5毫米的材料上的孔无需使用工具即可快速简便的安装适用于很大的电缆卡口范围可作为阀盖广泛应用



- Material : TPE-Thermoplastic Elastomer-UL approved material
- Mode of protection : IP67
- Temperature range : -50°C. . . +125°C
- Test standard : EN60529: 1991+A1.
EMKO-TUI (03-SEC) FI001/84
- Semko report: M16-708555-1, M20-708555-2
M25-708555-3, M32-708555-4
- Halogen-Free
Suitable for holes in material of 0.5-4.5 mm thickness
Quick and simple assembly without the use of tools
Handles exceptionally large cable span
An end-plug for all applications

规格型号 Article no.	螺纹规格 Size	卡口范围 For Cable/ Pipe φmm	A mm	B mm	D* mm	D1 mm	H mm	H1 mm	H2 mm	包装单位 Pcs Pack
TSS-M16 #	M16	5-10	16.6	0.69-3	23.35	4.26	11.03	4	6.75	50
TSS-M20 #	M20	6-13	20.42	0.57-3	27.28	4.91	10.92	4	6.75	50
TSS-M25 #	M25	8-17	25.74	0.66-3.5	32.35	7.28	11.04	4	6.75	50
TSS-M32 #	M32	12-24	32.77	0.68-4.5	39.32	11.23	10.91	4	6.75	25

It's up to the different thickness of installation material

★ 订货编号: #=B(黑色)、G(灰白色)、W(白色) Order number: #=B(Black)、G(Grey white)、W(White)

为什么选择电缆密封环代替塑料电缆接头? Why choose a rubber grommet instead of a plastic cable gland?

- 受天气、紫外线和臭氧影响较小—更少发生变干、开裂和变松的情况
 - 更强的防酸能力(磷、硝石、盐酸和硫酸)
 - 比大多数电缆接头有更大的温度范围
 - 只需在一面安装,快速简单—不需要到另一面安装螺母
 - 当空间狭小的情况下很理想—突出部分较少,所需空间小
 - 更符合生物工程学,对手腕没有负作用,因为不需要把它旋进位置
 - 高达IP67的防护等级,优于电缆接头,除非带锁紧功能非常重要。与电缆接头相比安装更省时省力—从而降低成本
 - 直到隔膜被推出开口都是密封的—无需闷盖,节省了成本
 - 更经济的解决方法
 - 节约更多时间
1. Less affected by weather,UV-light and ozone-less inclined to dry up,crack and come lose
 2. More resistant to acids (Phosphoric, Saltpeter, Hydrochloric&Sulphuric)
 3. Handles larger temperature span than most glands
 4. Quick and easy installation from one side only-not necessary to be able to reach opposite side of installation to attach locknut
 5. Ideal where space is restricted-less protrusion and space needed
 6. Ergonomically better,no negative effect on wrists since it does not need to be screwed into place
 7. Superior to cable gland up to IP67,except where strain relief is at a premium. Less work and time needed for installation compared to a cable gland-thus lower cost
 8. The opening is always sealed until the membrane is pushed out-no need for stop plugs or blind plugs in the mean time,which creates extra costs
 9. More economic solution
 10. Save more time

仪器仪表 apparatus



电缆密封环RG的安装方法 How to install RG



Push the grommet into the hole
将电缆密封环推入孔中



Pierce the grommet with the cable
用电缆刺破电缆密封环

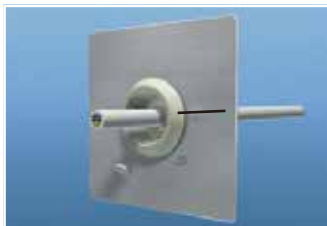


The grommet is the locked in position
by pulling it back about a centimetre
将电缆向后拉一厘米,电缆密封环就被锁在固定位置

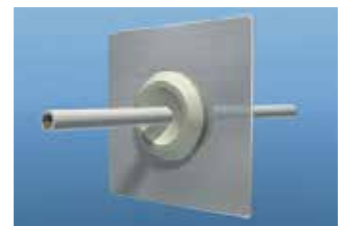
电缆密封环TSS的安装方法 How to install TSS



将电缆密封环推入孔中
Push the grommet into the hole.



用电缆刺破电缆密封环
Pierce the grommet with the cable.



安装完成
installation is complete

HSM 金属电缆防水接头 Metal Cable Gland

- 材料: 外部金属为黄铜镀镍,内部芯套为尼龙 密封件材料为改性橡胶
- 温度: -40°C~100°C,短时达到120°C
- 防护等级: 在规定的卡口范围内,防护等级可以达到IP68
- 性能: 通过IEC-60077-1999抗振动和抗冲击试验,通过RoHS测试

- Material: Body: Nickel-plated Brass, Inner core: Polyamide, Sealing: Modified rubber
- Temperature range: Min-40 °C ,max100 °C ,short-term120 °C
- Protection degree: Within the clamping range, its protection degree can reach IP68
- Properties: Succeed in the experiment of IEC-60077-1999 resistance to vibration and impact, passed RoHS



HSM-M 公制螺纹 Metric Thread

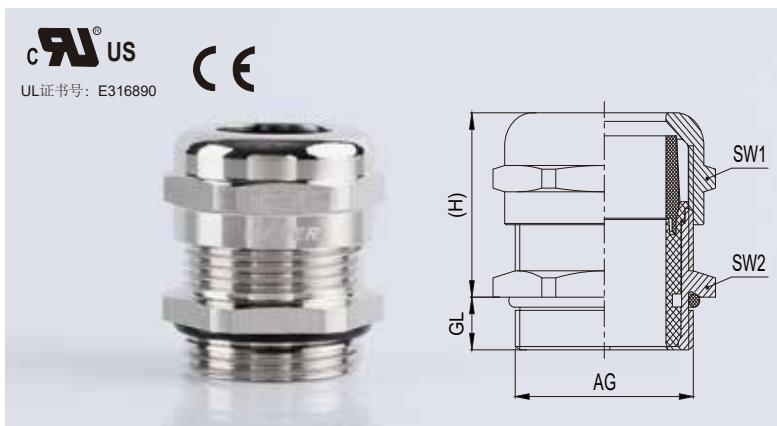
规格型号 Article no.	螺纹规格 Thread Dimension	卡口范围 Clamping Range mm	螺纹外径 AG mm	螺纹长度 GL mm	(H) mm	SW1/SW2 Wrench Size mm	包装单位 Packet Units
HSM-M12	M12×1.5	3~6.5	12	6	19	14/14	75
HSM-M16-H	M16×1.5	3~6.5	16	7	20	14/18	75
HSM-M16	M16×1.5	4~8	16	7	21	17/18	75
HSM-M16-D	M16×1.5	5~10	16	7	22.5	20/20	50
HSM-M18	M18×1.5	5~10	18	7	22.5	20/20	50
HSM-M20-H	M20×1.5	5~10	20	7	22.5	20/22	32
HSM-M20	M20×1.5	6~12	20	7	23.5	22/22	32
HSM-M20-D	M20×1.5	8~14	20	7	23	24/24	32
HSM-M22	M22×1.5	8~14	22	7	23	24/24	32
HSM-M24-H	M24×1.5	6~12	24	7	23.5	22/28	18
HSM-M24	M24×1.5	8~14	24	7	23	24/27	18
HSM-M25-H	M25×1.5	8~14	25	7	23	24/28	18
HSM-M25	M25×1.5	10~16	25	7	24.5	28/28	18
HSM-M25-D	M25×1.5	13~18	25	7	26	30/30	18
HSM-M27-H	M27×2.0	10~16	27	8	25	28/30	18
HSM-M27	M27×2.0	13~18	27	8	26	30/30	18
HSM-M30-H	M30×2.0	10~16	30	8	25	28/34	18
HSM-M30	M30×2.0	13~18	30	8	26	30/34	18
HSM-M32-H	M32×1.5	13~18	32	8	26.5	30/36	18
HSM-M32	M32×1.5	15~22	32	8	28	36/36	18
HSM-M32-D	M32×1.5	18~25	32	8	33	40/38	8
HSM-M33	M33×2.0	18~25	33	8	33	40/38	8
HSM-M36-H	M36×2.0	15~22	36	8	28	36/40	8
HSM-M36	M36×2.0	18~25	36	8	33	40/40	8
HSM-M40-H	M40×1.5	18~25	40	9	33.5	40/45	8
HSM-M40	M40×1.5	22~30	40	9	35.5	45/45	8
HSM-M40-D	M40×1.5	22~32	40	9	38.5	50/50	4
HSM-M42	M42×2.0	22~32	42	9	38.5	50/50	4
HSM-M48	M48×2.0	22~32	48	9	38.5	50/52	4
HSM-M50	M50×1.5	30~38	50	9	40	58/55	4
HSM-M56	M56×2.0	30~38	56	10	40	58/60	4
HSM-M60	M60×2.0	37~44	60	10	41	65/65	2
HSM-M63	M63×1.5	37~44	63	10	41	65/70	2
HSM-M63-D	M63×1.5	42~53	63	10	44.5	75/75	2
HSM-M64	M64×2.0	37~44	64	10	41	65/70	2

- ★ SW1代表圆螺母扳手尺寸, SW2代表接头体扳手尺寸 Remarks: SW1 stands for round nut wrench size, SW2 stands for joint wrench size
 所有规格材质可以提供不锈钢HSM S系列和铝合金HSMAL系列
 HSM S (stainless steel version) and HSMAL (aluminum version) are available for all sizes

HSM 金属电缆防水接头 Metal Cable Gland

- 材料: 外部金属为黄铜镀镍,内部芯套为尼龙 密封件材料为改性橡胶
- 温度: -40°C~100°C,短时达到120°C
- 防护等级: 在规定的卡口范围内,防护等级可以达到IP68
- 性能: 通过IEC-60077-1999抗振动和抗冲击试验,通过RoHS测试

- Material: Body: Nickel-plated Brass, Inner core: Polyamide, Sealing: modified rubber
- Temperature range: Min-40 °C ,max100 °C ,short-term120 °C
- Protection degree: Within the clamping range, its protection degree can reach IP68
- Properties: Succeed in the experiment of IEC-60077-1999 resistance to vibration and impact, passed RoHS



HSM-M-L 加长型公制螺纹 Lengthened Metric Thread

规格型号 Article no.	螺纹规格 Thread Dimension	卡口范围 Clamping Range mm	螺纹外径 AG mm	螺纹长度 GL mm	(H) mm	SW1/SW2 Wrench Size mm	包装单位 Packet Units
HSM-M12-L	M12×1.5	3~6.5	12	10	19	14/14	50
HSM-M16-HL	M16×1.5	3~6.5	16	10	20	14/18	50
HSM-M16-L	M16×1.5	4~8	16	10	21	17/18	50
HSM-M16-DL	M16×1.5	5~10	16	10	22.5	20/20	50
HSM-M18-L	M18×1.5	5~10	18	10	22.5	20/20	50
HSM-M20-HL	M20×1.5	5~10	20	10	22.5	20/22	32
HSM-M20-L	M20×1.5	6~12	20	10	23.5	22/22	32
HSM-M20-DL	M20×1.5	8~14	20	10	23	24/24	32
HSM-M22-L	M22×1.5	8~14	22	10	23	24/24	32
HSM-M24-HL	M24×1.5	6~12	24	12	23.5	22/28	18
HSM-M24-L	M24×1.5	8~14	24	12	23	24/27	18
HSM-M25-HL	M25×1.5	8~14	25	12	23	24/28	18
HSM-M25-L	M25×1.5	10~16	25	12	24.5	28/28	18
HSM-M25-DL	M25×1.5	13~18	25	12	26	30/30	18
HSM-M27-HL	M27×2.0	10~16	27	12	24.5	28/30	18
HSM-M27-L	M27×2.0	13~18	27	12	26	30/30	18
HSM-M30-HL	M30×2.0	10~16	30	12	24.5	28/34	18
HSM-M30-L	M30×2.0	13~18	30	12	26	30/34	18
HSM-M32-HL	M32×1.5	13~18	32	12	26	30/36	18
HSM-M32-L	M32×1.5	15~22	32	12	28	36/36	18
HSM-M32-DL	M32×1.5	18~25	32	12	33	40/38	8
HSM-M33-L	M33×2.0	18-25	33	12	33	40/38	8
HSM-M36-HL	M36×2.0	15~22	36	12	28	36/40	8
HSM-M36-L	M36×2.0	18~25	36	12	33	40/40	8
HSM-M40-HL	M40×1.5	18~25	40	15	33	40/45	4
HSM-M40-L	M40×1.5	22~30	40	15	35.5	45/45	4
HSM-M40-DL	M40×1.5	22~32	40	15	38.5	50/50	4
HSM-M42-L	M42×2.0	22~32	42	15	38.5	50/50	4
HSM-M48-L	M48×2.0	22~32	48	15	38.5	50/52	4
HSM-M50-L	M50×1.5	30~38	50	15	40	58/55	2
HSM-M56-L	M56×2.0	30~38	56	15	40	58/60	4
HSM-M60-L	M60×2.0	37~44	60	15	41	65/65	2
HSM-M63-L	M63×1.5	37~44	63	15	41	65/70	2
HSM-M63-DL	M63×1.5	42~53	63	15	44.5	75/75	1
HSM-M64-L	M64×2.0	37~44	64	15	41	65/70	2

★ SW1代表圆螺帽扳手尺寸,SW2代表接头体扳手尺寸 Remarks: SW1 stands for round nut wrench size, SW2 stands for joint wrench size
所有规格材质可以提供不锈钢HSM系列和铝合金HSMAL系列
HSMs (stainless steel version) and HSMAL (aluminum version) are available for all sizes

HSM 金属电缆防水接头 Metal Cable Gland

- 材料: 外部金属为黄铜镀镍,内部芯套为尼龙 密封件材料为改性橡胶
- 温度: -40°C~100°C,短时达到120°C
- 防护等级: 在规定的卡口范围内,防护等级可以达到IP68
- 性能: 通过IEC-60077-1999抗振动和抗冲击试验,通过RoHS测试

- Material: Body:nickel-plated brass Seal:Polyamide, Sealing: modified rubber
- Temperature range: Min-40 °C ,max100 °C ,short-term120 °C
- Protection degree: Within the clamping range, its protection degree can reach IP68
- Properties: Succeed in the experiment of IEC-60077-1999 resistance to vibration and impact, passed RoHS



HSM-P 德国 PG 螺纹 German PG Thread

规格型号 Article no.	螺纹规格 Thread Dimension	卡口范围 Clamping Range mm	螺纹外径 AG mm	螺纹长度 GL mm	(H) mm	SW1/SW2 Wrench Size mm	包装单位 Packet Units
HSM-P07	PG7	3~6.5	12.5	6	19	14/14	75
HSM-P09-H	PG9	3~6.5	15.2	7	20	14/17	75
HSM-P09	PG9	4~8	15.2	7	21	17/17	75
HSM-P11	PG11	5~10	18.6	7	22.5	20/20	32
HSM-P13.5-H	PG13.5	5~10	20.4	7	22.5	20/22	32
HSM-P13.5	PG13.5	6~12	20.4	7	23.5	22/22	32
HSM-P16-H	PG16	6~12	22.5	7	23.5	22/24	32
HSM-P16	PG16	8~14	22.5	7	23	24/24	32
HSM-P21-H	PG21	10~16	28.3	7	24.5	28/30	18
HSM-P21	PG21	13~18	28.3	7	26	30/30	18
HSM-P29-H	PG29	15~22	37	8	28	36/40	8
HSM-P29	PG29	18~25	37	8	33	40/40	8
HSM-P36	PG36	22~32	47	9	38.5	50/50	4
HSM-P42	PG42	30~38	54	9	40	58/58	2
HSM-P48	PG48	37~44	59.3	10	41	65/65	2

HSM-P-L 加长型德国 PG 螺纹 Lengthened German PG Thread

规格型号 Article no.	螺纹规格 Thread Dimension	卡口范围 Clamping Range mm	螺纹外径 AG mm	螺纹长度 GL mm	(H) mm	SW1/SW2 Wrench Size mm	包装单位 Packet Units
HSM-P07-L	PG7	3~6.5	12.5	10	19	14/14	50
HSM-P09-HL	PG9	3~6.5	15.2	10	20	14/17	50
HSM-P09-L	PG9	4~8	15.2	10	21	17/17	50
HSM-P11-L	PG11	5~10	18.6	10	22.5	20/20	50
HSM-P13.5-HL	PG13.5	5~10	20.4	10	22.5	20/22	32
HSM-P13.5-L	PG13.5	6~12	20.4	10	23.5	22/22	32
HSM-P16-HL	PG16	6~12	22.5	10	23.5	22/24	32
HSM-P16-L	PG16	8~14	22.5	10	23	24/24	32
HSM-P21-HL	PG21	10~16	28.3	12	24.5	28/30	18
HSM-P21-L	PG21	13~18	28.3	12	26	30/30	18
HSM-P29-HL	PG29	15~22	37	12	28	36/40	8
HSM-P29-L	PG29	18~25	37	12	33	40/40	8
HSM-P36-L	PG36	22~32	47	15	38.5	50/50	4
HSM-P42-L	PG42	30~38	54	15	40	58/58	2
HSM-P48-L	PG48	37~44	59.3	15	41	65/65	2

- ★ 所有规格材质可以提供不锈钢HSM S系列和铝合金HSM AL系列
HSM S (stainless steel version) and HSM AL (aluminum version) are available for all sizes

HSM 金属电缆防水接头 Metal Cable Gland

- 材料: 外部金属为黄铜镀镍,内部芯套为尼龙 密封件材料为改性橡胶
- 温度: -40°C~100°C,短时达到120°C
- 防护等级: 在规定的卡口范围内,防护等级可以达到IP68
- 性能: 通过IEC-60077-1999抗振动和抗冲击试验,通过RoHS测试

- Material: Body: Nickel-plated brass Seal: Polyamide, Sealing: Modified rubber
- Temperature range: Min-40 C ,max100 C ,short-term120 C
- Protection degree: Within the clamping range, its protection degree can reach IP68
- Properties: Succeed in the experiment of IEC-60077-1999 resistance to vibration and impact, passed RoHS



HSM-G G 管螺纹 G Thread

规格型号 Article no.	螺纹规格 Thread Dimension	卡口范围 Clamping Range mm	螺纹外径 AG mm	螺纹长度 GL mm	(H) mm	扳手尺寸 SW1/SW2 mm	包装单位 Packet Units
HSM-G3/8	G3/8"	4~8	16.65	8	21	17/20	32
HSM-G1/2-H	G1/2"	5~10	20.95	8	22.5	20/24	32
HSM-G1/2	G1/2"	6~12	20.95	8	23.5	22/24	32
HSM-G1/2-D	G1/2"	8~14	20.95	8	23.5	24/24	32
HSM-G3/4-TH	G3/4"	6~12	26.44	8	23.5	22/30	18
HSM-G3/4-H	G3/4"	8~14	26.44	8	23	24/30	18
HSM-G3/4	G3/4"	13~18	26.44	8	26	30/30	18
HSM-G1	G1"	18~25	33.24	9	33	40/38	8
HSM-G1 1/4	G1 1/4"	22~32	41.91	10	38.5	50/50	4
HSM-G1 1/2	G1 1/2"	30~38	47.80	10	40	58/55	2
HSM-G2	G2"	37~44	59.61	11	41	65/65	2

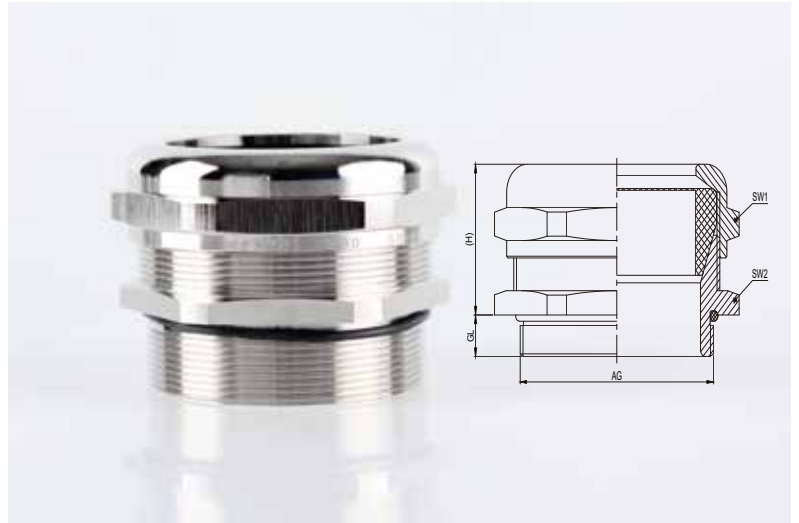
HSM-N NPT 制锥管螺纹 NPT Thread

规格型号 Article no.	螺纹规格 Thread Dimension	卡口范围 Clamping Range mm	基面螺纹外径 AG mm	螺纹长度 GL mm	(H) mm	扳手尺寸 SW1/SW2 mm	包装单位 Packet Units
HSM-N3/8	NPT3/8"	4~8	16.65	13	21	17/20	50
HSM-N1/2-H	NPT1/2"	5~10	20.85	13	22.5	20/23	32
HSM-N1/2	NPT1/2"	6~12	20.85	13	23.5	22/23	32
HSM-N1/2-D	NPT1/2"	8~14	20.85	13	23.5	24/24	32
HSM-N3/4-TH	NPT3/4"	6~12	26.30	13	23.5	22/30	18
HSM-N3/4-H	NPT3/4"	8~14	26.30	13	23	24/30	18
HSM-N3/4	NPT3/4"	13~18	26.30	13	26	30/30	18
HSM-N1	NPT1"	18~25	33.15	16	33	40/38	8
HSM-N1 1/4	NPT1 1/4"	22~32	41.85	16	38.5	50/50	4
HSM-N1 1/2	NPT1 1/2"	30~38	47.75	18	40	58/55	2
HSM-N2	NPT2"	37~44	59.55	18	41	65/65	1

- ★ 所有规格材质可以提供不锈钢HSMs系列和铝合金HSMAL系列
HSMs (stainless steel version) and HSMAL (aluminum version) are available for all sizes

HSM 大口径电缆防水接头 Large Diameter Metal Cable Gland

- 材料: 外部金属为黄铜镀镍,内部密封件材料为改性橡胶
- 温度: -40°C~100°C,短时达到 120°C
- 防护等级: 在规定的卡口范围内,防护等级可以达到IP68
- 应用场合: 大口径电缆密封
- 更多选择: 可根据要求特别定制(含 EMV 屏蔽型、FLAT方口型、多芯型等)



- Material: Body: nickel-plated brass, Sealing:modified rubber.
- Temperature range: Min -40°C,max 100°C,short-term120°C
- Protection degree: Within the clamping range, its protection degree can reach IP68
- Application: For seal of jumbo cable
- More choices: We can produce the special products according to your requirement

HSM-M 公制螺纹 Metric Thread

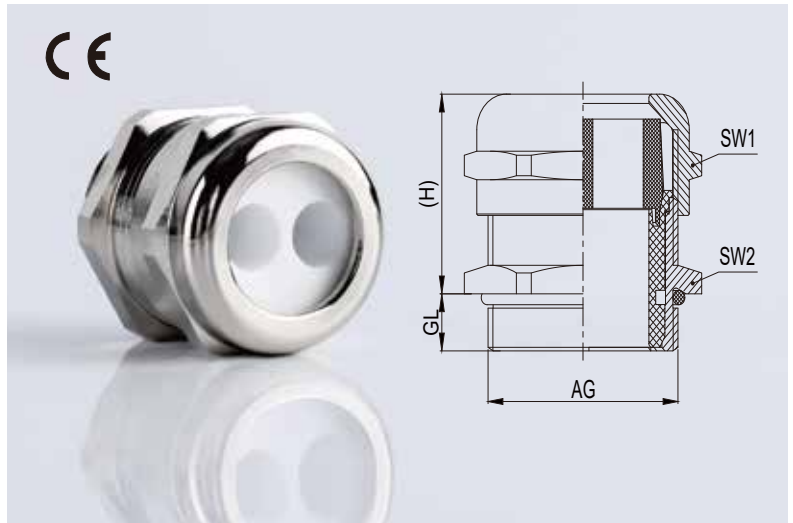
规格型号 Article no.	螺纹规格 Thread Dimension	卡口范围 Clamping Range mm	螺纹外径 AG mm	螺纹长度 GL mm	(H) mm	扳手尺寸 SW1/SW2 mm	包装单位 Packet Units	备注 Remarks
HSM-M63-TD	M63×1.5	52-57	63	10	43	80/80	2	
HSM-M72-H	M72×2.0	52-57	72	12	43	80/80	2	
HSM-M75-H	M75×2.0	52-57	75	12	43	80/80	2	
HSM-M80-H	M80×2.0	52-57	80	12	43	80/86	2	
HSM-M72	M72×2.0	55-61	72	12	43	86/86	2	
HSM-M75	M75×2.0	55-61	75	12	43	86/86	2	自带防尘膜
HSM-M80	M80×2.0	55-61	80	12	43	86/86	2	Custom dust-proof film
HSM-M88	M80×2.0	60-66	80	12	43	90/90	2	
HSM-M85-D	M85×2.0	60-66	85	12	43	90/90	2	
HSM-M88-D	M88×2.0	65-71	88	12	56	100/100	1	
HSM-M90-TD	M90×2.0	65-71	90	12	56	100/100	1	
HSM-M100-H	M100×2.0	65-71	100	15	56	100/100	1	
HSM-M110-H	M110×2.0	80-86	110	25	65	120/115	1	

★ 所有规格材质可以提供不锈钢HSMs系列和铝合金HSMAL系列
HSMs (stainless steel version) and HSMAL (aluminum version) are available for all sizes

HSM/nxd 多芯金属电缆防水接头 Metal Cable Gland With Multi-Core

- 材料: 外部金属为黄铜镀镍,内部芯套为尼龙;密封件材料为硅橡胶
- 温度: -40°C~100°C,短时达到120°C
- 防护等级: IP65 (在线径=孔径的情况下可达到IP68)
- 性能: 通过IEC-60077-1999抗振动和抗冲击试验,通过RoHS测试

- Material: Body: nickel-plated brass; Seal:PA ; Sealing: modified rubber
- Temperature range: Min-40 °C ,max100 °C ,short-term120 °C
- Protection degree: IP65 (When the diameter of cables equals to that of holes, it can reach IP68)
- Properties: Succeed in the experiment of IEC-60077-1999 resistance to vibration and impact, passed RoHS



HSM-M/nxd 公制螺纹 Metric Thread

规格型号 Article no.	螺纹规格 Thread mm	卡口 (nxd) Clamping mm	螺纹外径 AG mm	螺纹长度 GL mm	(H) mm	SW1/SW2 Wrench Size mm	包装单位 Packet Units
* HSM-M16/4×1.5	M16×1.5	4×1.5	16	7	20	17/18	75
HSM-M16/2×3	M16×1.5	2×3	16	7	21	17/18	75
HSM-M18/2×3	M18×1.5	2×3	18	7	21	17/20	32
HSM-M18/4×3	M18×1.5	4×3	18	7	22.5	20/20	32
HSM-M18/2×4.5	M18×1.5	2×4.5	18	7	22.5	20/20	32
HSM-M20/3×2.5	M20×1.5	3×2.5	20	7	23	20/22	32
HSM-M20/6×3	M20×1.5	6×3	20	7	23.5	22/22	32
HSM-M20/3×4	M20×1.5	3×4	20	7	23.5	22/22	32
HSM-M20/2×5	M20×1.5	2×5	20	7	23.5	22/22	32
HSM-M25/4×6	M25×1.5	4×6	25	7	26	30/30	18
HSM-M25/3×7	M25×1.5	3×7	25	7	26	30/30	18
HSM-M25/2×8	M25×1.5	2×8	25	7	26	30/30	18
HSM-M32/6×6.5	M32×1.5	6×6.5	32	8	33	40/40	8
HSM-M32/4×9	M32×1.5	4×9	32	8	33	40/40	8
HSM-M40/5×9	M40×1.5	5×9	40	9	38.5	50/50	4
HSM-M40/7×9	M40×1.5	7×9	40	9	38.5	50/50	4
HSM-M40/6×8	M40×1.5	6×8	40	9	38.5	50/50	4
HSM-M40/2×15	M40×1.5	2×15	40	9	38.5	50/50	4
HSM-M63/8×10	M63×1.5	8×10	63	10	41	58/70	2
HSM-M63/6×12	M63×1.5	6×12	63	10	41	58/70	2
HSM-M63/4×19	M63×1.5	4×19	63	10	44.5	75/75	2

★ 所有打*可以开发 All article No. marked * can be developed

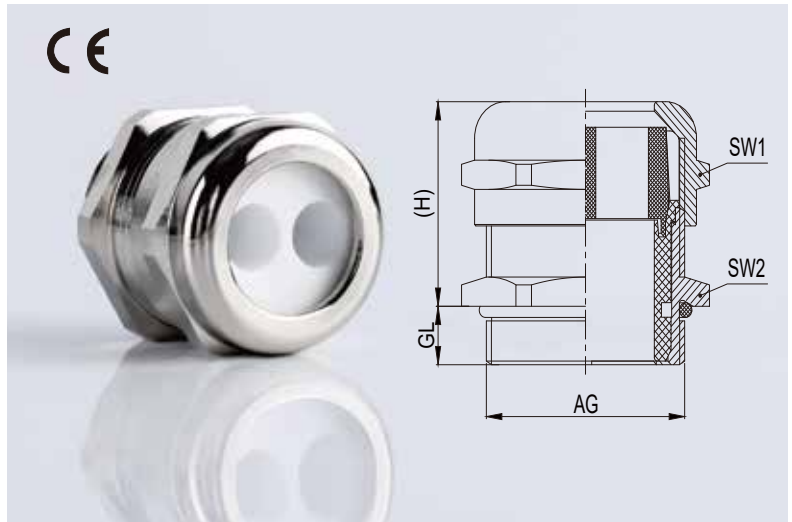
所有规格材质可以提供不锈钢HSMs系列和铝合金HSMAL系列

HSMs (stainless steel version) and HSMAL (aluminum version) are available for all sizes

HSM/nxd 多芯金属电缆防水接头 Metal Cable Gland With Multi-Core

- 材料: 外部金属为黄铜镀镍,内部芯套为尼龙;密封件材料为硅橡胶
- 温度: -40°C~100°C,短时达到120°C
- 防护等级: IP65 (在线径=孔径的情况下可达到IP68)
- 性能: 通过IEC-60077-1999抗振动和抗冲击试验,通过RoHS测试

- Material: Body: nickel-plated brass;
Seal: PA ; Sealing: modified rubber
- Temperature range: Min-40 C ,max100 C ,short-term120 C
- Protection degree: IP65 (When the diameter of cables equals to that of holes, it can reach IP68)
- Properties: Succeed in the experiment of IEC-60077-1999 resistance to vibration and impact, passed RoHS



HSM-P/nxd PG 螺纹 PG Thread

规格型号 Article no.	螺纹规格 Thread mm	卡口 (nxd) Clamping mm	螺纹外径 AG mm	螺纹长度 GL mm	(H) mm	SW1/SW2 Wrench Size mm	包装单位 Packet Units
* HSM-P09/4×1.5	PG9	4×1.5	15.2	7	19	17/17	75
HSM-P09/2×3	PG9	2×3	15.2	7	21	17/17	75
HSM-P11/2×3	PG11	2×3	18.6	7	21	17/20	32
* HSM-P11/3×3.3	PG11	3×3.3	18.6	7	23	20/22	32
HSM-P11/2×4.5	PG11	2×4.5	18.6	7	23	20/22	32
HSM-P13.5/3×2	PG13.5	3×2	20.4	7	23	22/22	32
* HSM-P13.5/6×3	PG13.5	6×3	20.4	7	24	22/22	32
HSM-P13.5/3×4	PG13.5	3×4	20.4	7	23.5	22/22	32
* HSM-P16/3×3	PG16	3×3	22.5	7	23	22/24	32
HSM-P16/3×4	PG16	3×4	22.5	7	23	24/24	32
HSM-P16/4×4	PG16	4×4	22.5	7	23	24/24	32
HSM-P16/5×4	PG16	5×4	22.5	7	23	24/24	32
HSM-P16/6×4	PG16	6×4	22.5	7	23	24/24	32
HSM-P16/2×6	PG16	2×6	22.5	7	23	24/24	32
HSM-P16/3×5.6	PG16	3×5.6	22.5	7	23.5	24/24	32
HSM-P21/4×6	PG21	4×6	28.3	7	26	30/30	18
HSM-P21/3×7	PG21	3×7	28.3	7	26	30/30	18
HSM-P21/2×8	PG21	2×8	28.3	7	26	30/30	18
HSM-P29/6×6.5	PG29	6×6.5	37	8	33	36/40	8
HSM-P29/4×9	PG29	4×9	37	8	33	40/40	8
HSM-P36/5×9	PG36	5×9	47	9	38.5	50/50	4
HSM-P36/7×9	PG36	7×9	47	9	38.5	50/50	4
* HSM-P36/6×8	PG36	6×8	47	9	38.5	50/50	4
HSM-P36/2×15	PG36	2×15	47	9	38.5	50/50	4
* HSM-P48/8×10	PG48	8×10	59.3	10	41.5	58/65	2
HSM-P48/6×12	PG48	6×12	59.3	10	41.5	65/65	2
HSM-P48/3×18	PG48	3×18	59.3	10	41.5	65/65	2

★ 所有打*可以开发 All article No. marked * can be developed

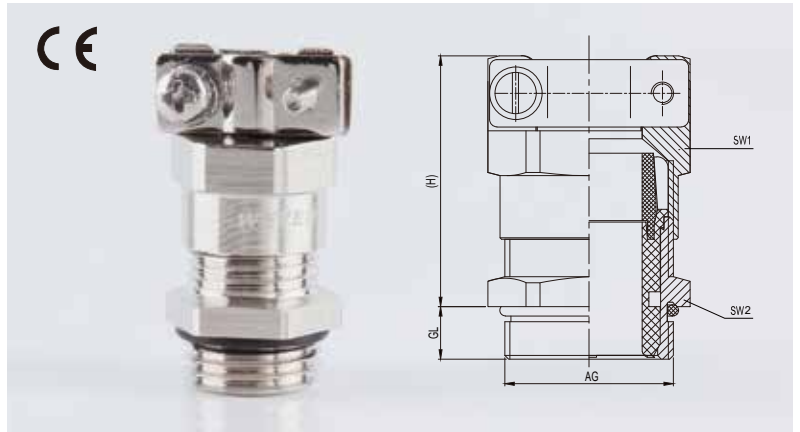
所有规格材质可以提供不锈钢HSMs系列和铝合金HSMAL系列

HSMS (stainless steel version) and HSMAL (aluminum version) are available for all sizes

DHSM 双锁紧金属电缆防水接头 Double-lock Metal Cable Gland

- 材料: 外部金属为黄铜镀镍;内部芯套为尼龙;密封件材料为改性橡胶
- 温度: -40°C~100°C,短时达到120°C
- 防护等级: 在规定的卡口范围内,防护等级可达到IP68
- 性能: 通过RoHS测试
- 更多选择: 锁紧扣可选择机加工件

- Material: Body: Nickel-plated Brass, Inner core: PA; Sealing: modified rubber
- Temperature range: Min-40 C ,Max100 C ,Short-term120 C
- Protection degree: Within the clamping range, its protection degree can reach IP68
- Properties: Passed RoHS
- More Options: Lock button optional machining



DHSM-M 公制螺纹 Metric Thread

规格型号 Article no.	螺纹规格 Thread mm	卡口范围 Clamping Range mm	螺纹外径 AG mm	螺纹长度 GL mm	(H) mm	SW1/SW2 Wrench Size mm	包装单位 Packet Units
DHSM-M12	M12×1.5	3~6.5	12	6	29.5	15/14	50
DHSM-M16-H	M16×1.5	3~6.5	16	7	29.5	15/18	32
* DHSM-M16	M16×1.5	4~8	16	7	31	17/18	32
DHSM-M16-D	M16×1.5	5~10	16	7	33	20/20	32
* DHSM-M18	M18×1.5	5~10	18	7	33	20/20	32
* DHSM-M20-H	M20×1.5	5~10	20	7	32.5	20/22	32
DHSM-M20	M20×1.5	6~12	20	7	34	22/22	32
DHSM-M20-D	M20×1.5	8~14	20	7	34	24/24	32
* DHSM-M24-H	M24×1.5	6~12	24	7	34	22/27	18
* DHSM-M24	M24×1.5	8~14	24	7	34	24/27	18
* DHSM-M25-H	M25×1.5	8~14	25	7	34	24/28	18
DHSM-M24-D	M24×1.5	10~16	24	7	36	28/28	18
DHSM-M25	M25×1.5	10~16	25	7	37	28/28	18
DHSM-M25-D	M25×1.5	13~18	25	7	36	30/30	18
DHSM-M27-H	M27×2.0	10~16	27	8	37	30/30	18
* DHSM-M27	M27×2.0	13~18	27	8	36	30/30	18
DHSM-M30-H	M30×2.0	10~16	30	8	37	30/34	18
DHSM-M30	M30×1.5	13~18	30	8	36	30/34	18
DHSM-M32-H	M32×1.5	13~18	32	8	36	30/36	18
DHSM-M32	M32×1.5	15~22	32	8	40	36/36	8
DHSM-M36	M36×2.0	18~25	36	8	45	40/40	4
DHSM-M32-D	M32×1.5	18~25	32	8	45	40/40	4
* DHSM-M36-H	M36×2.0	15~22	36	8	36	36/40	4
DHSM-M40-H	M40×1.5	18~25	40	9	43	40/45	4
DHSM-M40	M40×1.5	22~30	40	9	49	45/45	4
DHSM-M40-D	M40×1.5	22~32	40	9	50.5	50/50	4
* DHSM-M48	M48×2.0	22~32	48	9	50.5	50/52	2
DHSM-M50	M50×1.5	30~38	50	9	54	58	2
* DHSM-M56	M56×2.0	30~38	56	9	54	60	2
DHSM-M63	M63×1.5	37~44	63	10	54	65/70	1
DHSM-M64-D	M64×2.0	42~53	64	10	57	75/75	1
DHSM-M64	M64×2.0	37~44	64	10	54	65/70	1

★ 所有规格材质可以提供不锈钢DHSMs系列 DHSMs (stainless steel version) are available for all sizes

PKM/MPKM 平口金属电缆防水接头 PKM/MPKM Metal Cable Gland

- 材料: 外部金属为黄铜镀镍,密封件材料为改性橡胶
- 温度: -40°C~100°C,短时达到120°C
- 防护等级: 在规定的卡口范围内,防护等级可以达到IP68
- 性能: 通过IEC-60077-1999抗振动和抗冲击试验,通过RoHS测试

- Material: Body: nickel-plated brass Sealing:modified rubber
- Temperature range: Min-40 °C ,max100 °C ,short-term120 °C
- Protection degree: Within the clamping range, its protection degree can reach IP68
- Properties: Succeed in the experiment of IEC-60077-1999 resistance to vibration and impact, passed RoHS



PKM-M/MPKM-M 公制螺纹 M Thread

规格型号 Article no.	规格型号 Article no.	卡口范围 Clamping Range mm	螺纹规格 Thread Dimension	螺纹长度 GL mm	(H) PKM / MPKM mm	扳手尺寸 SW1/SW2/SW3/SW4 mm	包装单位 Packet Units
PKM-M12	MPKM-M12	6~8	M12×1.5	6	16.1/25	14/14/17/14	75
PKM-M16-H	MPKM-M16-H	6~8	M16×1.5	7	17/27	14/18/20/18	75
PKM-M16	MPKM-M16	8~10	M16×1.5	7	17/27	17/18/20/18	75
PKM-M18-TH	MPKM-M18-TH	6~8	M18×1.5	7	17/26	14/20/17/20	32
PKM-M18-H	MPKM-M18-H	8~10	M18×1.5	7	17/27	17/20/20/20	32
PKM-M18	MPKM-M18	10~12	M18×1.5	7	18/28	20/20/22/20	32
PKM-M20	MPKM-M20	12~14	M20×1.5	7	19.5/29.5	21/24/24/24	32
PKM-M25	MPKM-M25	14~18	M25×1.5	7	32.5/41	34/34/32/34	18
PKM-M32	MPKM-M32	17~23	M32×1.5	8	32.5/41.5	38/40/38/40	8
PKM-M36	MPKM-M36	22~27	M36×2.0	8	35/43.5	45/45/45/46	8
PKM-M40	MPKM-M40	26~33	M40×1.5	9	35/46	50/52/50/52	4
PKM-M50	MPKM-M50	32~41	M50×1.5	9	35/47	60/60/58/60	2
PKM-M56	MPKM-M56	40~49	M56×2.0	9	38/50	65/70/65/70	2
PKM-M63	MPKM-M63	48~57	M63×1.5	10	38/50	75/80/75/80	2

PKM-P/MPKM-P 德国 PG 螺纹 PG Thread

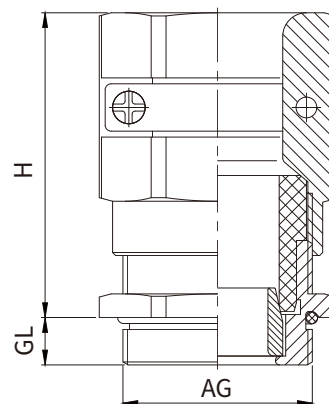
规格型号 Article no.	规格型号 Article no.	卡口范围 Clamping Range mm	螺纹规格 Thread Dimension	螺纹长度 GL mm	(H) PKM / MPKM mm	扳手尺寸 SW1/SW2/SW3/SW4 mm	包装单位 Packet Units
PKM-P07	MPKM-P07	6~8	PG7	6	16.1 / 25	14/14/17/14	75
PKM-P09-H	MPKM-P09-H	6~8	PG9	7	17 / 26	17/17/17/17	75
PKM-P09	MPKM-P09	8~10	PG9	7	17 / 27	17/17/20/17	75
PKM-P11-TH	MPKM-P11-TH	6~8	PG11	7	16.6 / 26	14/21/17/21	32
PKM-P11-H	MPKM-P11-H	8~10	PG11	7	17 / 27	17/20/20/20	32
PKM-P11	MPKM-P11	10~12	PG11	7	18 / 28	20/20/22/20	32
PKM-P13.5	MPKM-P13.5	12~14	PG13.5	7	19.5 / 29.5	21/24/24/24	32

★ PKM 及 MPKM亦可提供不锈钢产品 Note: PKM and MPKM can also provide stainless steel products.
所有规格材质可以提供不锈钢PKMS/MPKMS系列 PKMS/MPKMS (stainless steel version) are available for all sizes

MHSM 双锁紧屏蔽电缆防水接头 Double-lock Metal Cable Gland

- 材料: 外部金属为黄铜镀镍,密封件材料为改性橡胶
- 温度: -40°C~100°C,短时达120°C
- 防护等级: 在规定的卡口范围之内,防护等级可以达到IP68
- 性能: 通过IEC-60077-1999抗振动和抗冲击试验

- Material: Body: nickel-plated brass; Sealing: modified rubber
- Temperature range: Min -40 °C, Max 100 °C, Short-term 120 °C
- Protection degree: Within the clamping range, its protection degree can reach IP68
- Properties: Succeed in the experiment of IEC-60077-1999 resistance to vibration and impact resistance



MHSM-M 公制螺纹 Lengthened Metric Thread

产品型号 Article no.	螺纹规格 Thread Dimension	卡口范围 Clamping Range mm	螺纹外径 AG mm	螺纹长度 GL mm	(H) mm	扳手尺寸 SW1/SW2 mm	包装单位 Packet Units
MHSM-M25	M25×1.5	12-15	25	7	39	26/28	9
MHSM-M25-D	M25×1.5	14-17	25	7	42.5	28	9
MHSM-M32-H	M32×1.5	14-17	32	8	42.5	36	9
MHSM-M32-X1	M32×1.5	17.5-20.5	32	8	51.5	36	9
MHSM-M32-X1-L	M32×1.5	17.5-20.5	32	12	51.5	36	9
MHSM-M36	M36×2	21-26	36	8	50.5	45	4

★ 所有规格材质可以提供不锈钢MHSM系列 MHSMs (stainless steel version) are available for all sizes

HSM.D 单芯电缆防水接头 Metal Cable Gland With Single-Core

- 材料: 外部金属为黄铜镀镍;内部芯套为阻燃TPE
- 温度: -40°C~100°C
- 防护等级: 在规定的卡口范围内,防护等级可达到IP68
- 性能: 通过RoHS测试

- Material: Body: nickel-plated brass; Seal: flame-retardant TPE
- Temperature range: Min -40°C, max 100°C
- Protection degree: Within the clamping range, its protection degree can reach IP68
- Properties: Passed RoHS



HSM.D-M 公制螺纹 Metric Thread

规格型号 Article no.	螺纹规格 Thread mm	卡口范围 Clamping mm	螺纹外径 AG mm	螺纹长度 GL mm	(H) mm	扳手尺寸 SW1/SW2 mm	包装单位 Packet Units
HSM.D-M12/7	M12×1.5	4-7	12	6	19.5	14/14	75
HSM.D-M16/7	M16×1.5	4-7	16	7	19.5	14/18	75
HSM.D-M16/9.5	M16×1.5	6.5-9.5	16	7	20.5	18/18	75
HSM.D-M18/7	M18×1.5	4-7	18	7	19.5	14/20	75
HSM.D-M18/9.5	M18×1.5	6.5-9.5	18	7	20.5	18/20	75
HSM.D-M20/7	M20×1.5	4-7	20	7	20	14/22	32
HSM.D-M20/9.5	M20×1.5	6.5-9.5	20	7	21	18/22	32
HSM.D-M20/13	M20×1.5	9-13	25	7	24	28/26	18
HSM.D-M25/9.5	M25×1.5	6.5-9.5	25	7	21	18/28	18
HSM.D-M25/13	M25×1.5	9-13	25	7	24	28/28	18
HSM.D-M25/17	M25×1.5	15-17	32	7	23.5	28/28	18
HSM.D-M32/13	M32×1.5	9-13	32	8	24.5	28/36	18
HSM.D-M32/17	M32×1.5	13-17	32	8	24.5	28/36	18
HSM.D-M32/19	M32×1.5	15-19	32	8	26.5	36/36	18
HSM.D-M32/22	M32×1.5	18-22	32	8	26	36/36	8
HSM.D-M40/19	M40×1.5	15-19	40	9	26	36/45	8
HSM.D-M40/22	M40×1.5	18-22	40	9	26.5	36/45	8
HSM.D-M40/25	M40×1.5	21-25	40	9	29	45/45	8
HSM.D-M40/28	M40×1.5	24-28	40	9	28.5	45/45	8
* HSM.D-M50/25	M50×1.5	21-25	50	9	29	45/55	8
* HSM.D-M50/28	M50×1.5	24-28	50	9	28.5	45/55	8
HSM.D-M50/33	M50×1.5	28-33	50	9	29.5	50/55	8
HSM.D-M50/37	M50×1.5	32-37	50	9	30.5	55/55	8
* HSM.D-M50/40	M50×1.5	35-40	50	9	33	60/60	8
* HSM.D-M63/40	M63×1.5	35-40	63	10	33	60/70	2
* HSM.D-M63/46	M63×1.5	40-46	63	10	33	70/70	2
* HSM.D-M63/51	M63×1.5	45-51	63	10	36	75/75	2

★ 所有打*可以开发 All article No. marked * can be developed
 所有规格材质可以提供不锈钢HSM.S.D系列和铝合金HSMAL.D系列
 HSM.S.D (stainless steel version) and HSMAL.D (aluminum version) are available for all sizes

HSM.DS 耐高温单芯电缆防水接头

HSM.DS Metal High Temperature Resistant Cable Gland With Single-Core



HSM.DS-M 公制螺纹 Lengthened Metric Thread

规格型号 Article no.	螺纹规格 Thread Dimension	卡口范围 Clamping Range mm	螺纹长度 GL mm	高 H mm	扳手尺寸 SW1/SW2 mm	包装单位 Packet Units
HSM.DS-M16/7	M16×1.5	4-7	7	20.5	18/18	75
HSM.DS-M20/10	M20×1.5	7-10	7	23	22/22	32
HSM.DS-M20/13	M20×1.5	9-13	7	23.5	28/26	18
HSM.DS-M25/13	M25×1.5	9-13	7	24	28/28	18
HSM.DS-M25/15	M25×1.5	12-15	8	25	30/28	18
HSM.DS-M32/15	M32×1.5	12-15	8	25	30/36	18
HSM.DS-M32/18	M32×1.5	14-18	8	26	36/36	18
HSM.DS-M32/22	M32×1.5	18-22	8	27	40/38	8
HSM.DS-M40/22	M40×1.5	18-22	9	27	40/45	8
* HSM.DS-M40/25	M40×1.5	21-25	9	27	45/45	8
* HSM.DS-M40/30	M40×1.5	25-30	9	29	50/46	8
* HSM.DS-M50/30	M50×1.5	25-30	9	30	50/55	8
* HSM.DS-M50/34	M50×1.5	29-34	9	30	55/55	8
* HSM.DS-M50/37	M50×1.5	32-37	9	31	55/55	8
* HSM.DS-M56/37	M56×2.0	32-37	9	31	55/60	2
* HSM.DS-M56/40	M56×2.0	35-40	9	33.5	60/60	2
* HSM.DS-M56/43	M56×2.0	38-43	10	33.5	60/60	2
* HSM.DS-M63/43	M63×1.5	38-43	10	33.5	60/70	2
* HSM.DS-M63/46	M63×1.5	41-46	10	33.5	70/70	2
* HSM.DS-M63/51	M63×1.5	45-51	10	36	75/75	2

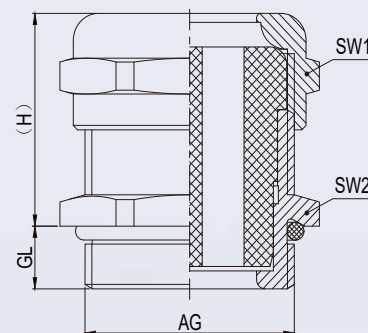
- 材料: 外部金属为黄铜镀镍;内部芯体和密封件材料为硅橡胶
- 温度: -50°C~150°C
- 防护等级: 在规定的卡口范围之内可达到IP68
- 阻燃等级: V0(UL94)
阻燃性能: 不含卤素、磷、镉,RoHS,耐UV,通过抗老化测试

- Material: Body: nickel-plated brass, Sealing: modified rubber
- Temperature range: Min -50 C ,max 150 C
- Protection degree: Within the clamping range, its protection degree can reach IP68
- Flame-retardant: V0 (UL94)
- Flame-retardant: Free of halogen,phosphor and cadmium, UV-resistance,RoHS, passed anti-aging test

★ 所有打*可以开发 All article No. marked * can be developed
 所有规格材质可以提供不锈钢HSM.DS系列和铝合金HSMAL.DS系列
 HSM.DS (stainless steel version) and HSMAL.DS (aluminum version) are available for all sizes

HSM.DS/n×d 耐高温多芯金属电缆防水接头

HSM.DS Metal High Temperature Resistant Cable Gland With Multi



HSM.DS-M/n×d 公制螺纹 M Thread

规格型号 Article no.	螺纹规格 Thread Dimension	卡口范围 Clamping Range mm	螺纹长度 GL mm	扳手尺寸 SW1/SW2 mm	包装单位 Packet Units
* HSM.DS-M20/5×2.5	M20×1.5	5×2.5	7	22/22	32
HSM.DS-M25/3×5	M25×1.5	3×5	7	28/28	18
* HSM.DS-M25/3×6.5	M25×1.5	3×6.5	7	30/28	18
HSM.DS-M25/4×3.5	M25×1.5	4×3.5	7	28/28	18
* HSM.DS-M25/4×5	M25×1.5	4×5	7	28/28	18
HSM.DS-M25/2×8.5	M25×1.5	2×8.5	7	30/30	18
* HSM.DS-M25/3×7.5	M25×1.5	3×7.5	7	30/30	18
HSM.DS-M32/3×8.5	M32×1.5	3×8.5	8	36/36	8
* HSM.DS-M32/5×5.5	M32×1.5	5×5.5	8	36/36	8
* HSM.DS-M40/5×8.5	M40×1.5	5×8.5	9	45/45	8
* HSM.DS-M50/3×12.5	M50×1.5	3×12.5	9	45/45	8
HSM.DS-M50/4×12.5	M50×1.5	4×12.5	9	50/55	8
HSM.DS-M50/5×12.5	M50×1.5	5×12.5	9	60/60	2
HSM.DS-M50/13×7	M50×1.5	13×7	9	55/55	2

- 材料: 外部金属为黄铜镀镍;内部芯体和密封件材料为硅橡胶
- 温度: -50°C~150°C
- 防护等级: IP65 (在线径=孔径的情况下可达到IP68)
- 阻燃等级: V0(UL94),不含卤素、磷、镉,通过RoHS测试,耐UV,通过抗老化测试

- Material: Nickel-plated brass;
Seal: Silicon rubber
- Temperature range: Min-50 C ,max150 C
- Protection degree: IP65 (When the diameter of cables equals to that of holes, it can reach IP68)
- Properties: V0(UL94),free of halogen, phosphor and cadmium,passed RoHS; UV-resistance,passed anti-aging test.

HSM.DS-P/n×d 德国 PG 螺纹 PG Thread

规格型号 Article no.	螺纹规格 Thread Dimension	卡口范围 Clamping Range mm	螺纹长度 GL mm	扳手尺寸 SW1/SW2 mm	包装单位 Packet Units
* HSM.DS-P21/3×7	PG21	3×5	7	30/28	18
* HSM.DS-P21/3×6.5	PG21	3×6.5	7	30	18
HSM.DS-P21/6×6	PG21	6×6	7	30	18
HSM.DS-P29/3×8.5	PG29	3×8.5	8	40/36	8
* HSM.DS-P36/5×8.5	PG36	5×8.5	8	50/45	4
* HSM.DS-P36/3×12.5	PG36	3×12.5	8	50/45	4

★ 所有规格材质可以提供不锈钢HSM.S.DS系列和铝合金HSMAL.DS系列

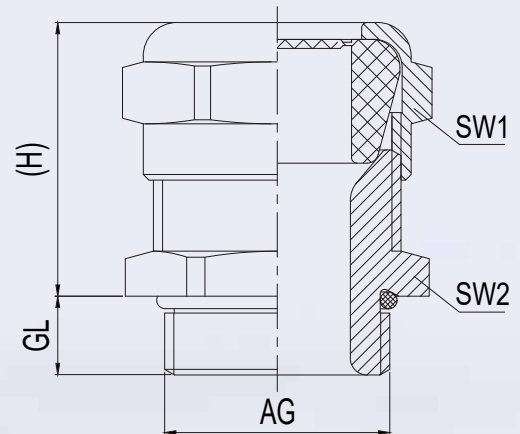
HSM.S.DS (stainless steel version) and HSMAL.DS (aluminum version) are available for all sizes

其它规格及其它螺纹规格如G制等需定制 Notice: other dimension and other thread dimension such as G thread can be customized

所有打*可以开发 All article No. marked * can be developed

HSM.ZX 金属电缆防水接头(锥型密封体)

HSM.ZX Metal Cable Waterproof Joint(Cone Seal)



规格型号 Article no.	卡口范围 Clamping Range mm	螺纹规格 Thread AG mm	螺纹长度 Thread Length GL mm	安装初始高度 (H) mm	扳手尺寸 SW1/SW2 mm
HSM.ZX-M12/8	4~8	M12×1.5	6	24	17/17
HSM.ZX-M16/8	5~8	M16×1.5	6	23	18/18
HSM.ZX-M16/8-T	4~8	M16×1.5	7	27	22/22
HSM.ZX-M16/9.5	4~9.5	M16×1.5	7	27	22/22
HSM.ZX-M20/14	10~14	M20×1.5	7	27	24/24
HSM.ZX-M25/12	7~12	M25×1.5	7	29	30/30
HSM.ZX-M25/16	10~16	M25×1.5	7	30	30/30
HSM.ZX-M25/17	14~17	M25×1.5	7	30	30/30
HSM.ZX-M25/20	16~20	M25×1.5	7	30	30/30
HSM.ZX-M27/20	15~20	M27×2.0	8	30	30/30
HSM.ZX-M32/21	17~21	M32×1.5	8	29	36/36
HSM.ZX-M32/25	17~25	M32×1.5	8	30	38/38
HSM.ZX-M36/28	20~28	M36×2.0	8	35	45/45

- 材料: 外部金属为黄铜镀镍,芯体为硅橡胶
- 温度: -50°C~150°C
- 防护等级: 在规定的卡口范围之内,防护等级可以达到IP68

- Material: The outer metal is brass nickel plating, the core is Silicon rubber, and the spring is stainless steel
- Temperature range: Min-50 C ,max150 C
- Protection degree: Within the clamping range, its protection degree can reach IP68

★ 所有规格材质可以提供不锈钢HSM.S.ZX系列和铝合金HSM.AL.ZX系列
HSM.S.ZX(stainless steel version) and HSM.AL.ZX (aluminum version) are available for all sizes

HSM-EMV 电磁兼容金属防水接头/公制螺纹 HSM-EMV Cable Gland/M Thread

- 材料:外部金属为黄铜镀镍,内部芯套为尼龙,密封件材料为改性橡胶
- 温度:-40°C~100°C,短时达到120°C
- 防护等级:在规定的卡口范围之内,防护等级可以达到IP68
- 性能:通过IEC-60077-1999抗振动和抗冲击试验,通过RoHS测试

- Material: Body: nickel-plated brass Seal: Polyamide, Sealing:modified rubber
- Temperature range: Min-40 C ,max100 C ,short-term120 C
- Protection degree: Within the clamping range, its protection degree can reach IP68.
- Properties: Succeed in the experiment of IEC-60077-1999 resistance to vibration and impact, passed RoHS



HSM-EMV 公制螺纹 Metric Thread

规格型号 Article no.	螺纹规格 Thread Dimension	卡口范围 Clamping Range mm	螺纹外径 AG mm	螺纹长度 GL mm	(H) mm	扳手尺寸 SW1/SW2 mm	包装单位 Packet Units
HSM-EMV-M12	M12×1.5	3~6.5	12	6	19	14/14	75
HSM-EMV-M16	M16×1.5	4~8	16	7	21	17/18	75
HSM-EMV-M18	M18×1.5	5~10	18	7	22.5	20/20	6
HSM-EMV-M20	M20×1.5	6~12	20	7	25	22/22	32
HSM-EMV-M24	M24×1.5	8~14	24	7	24	24/27	18
HSM-EMV-M25	M25×1.5	10~16	25	7	25.5	28/28	18
HSM-EMV-M25-D	M25×1.5	13~18	25	7	27	30/30	18
HSM-EMV-M30	M30×2.0	13~18	30	8	26	30/34	18
HSM-EMV-M32	M32×1.5	15~22	32	8	29	36/36	18
HSM-EMV-M32-D	M32×1.5	18~25	32	8	34.5	40/38	8
HSM-EMV-M36	M36×2.0	18~25	36	8	34.5	40/40	8
HSM-EMV-M40	M40×1.5	22~30	40	9	37.5	45/45	4
HSM-EMV-M40-D	M40×1.5	22~32	40	9	40	50/50	4
HSM-EMV-M48	M48×2.0	22~32	48	9	40	50/52	4
HSM-EMV-M50	M50×1.5	30~38	50	9	42	58/55	2
HSM-EMV-M56	M56×2.0	30~38	56	9	41	60/58	2
HSM-EMV-M63	M63×1.5	37~44	63	10	42.5	65/70	2
HSM-EMV-M64	M64×2.0	37~44	64	10	42.5	65/70	2

★ 所有规格材质可以提供不锈钢HSMS-EMV系列 HSMS-EMV(stainless steel version) are available for all sizes

具体使用

将屏蔽电缆的外护层破除一小段,并将屏蔽层截断,将一小段屏蔽层导体反包在接头的内芯套外部,长度应长于密封圈位置,然后用力放入入电缆接头,并旋紧。建议将柜体与电缆接头或螺母接触地方的油漆刮除,保证良好的导电性能。

Do away with one small section of the outer sheath of the screened cable,and cut off the shield layer,turn over the conductor of the shield layer and wrap it outside the seal,the length of it should be longer than the position of the sealing ring,then put into the cable gland and revolve it tightly.We suggest scraping the paint contacted to the cable gland and the thread to guarantee the good electric conductivity.



HSM-EMV.SC 电磁兼容电缆防水接头 HSM-EMV.SC Cable Gland

- 材料: 外部金属为黄铜镀镍,内部芯套为尼龙,密封件材料为改性橡胶
- 温度: -40°C~100°C,短时达到120°C
- 防护等级: 在规定的卡口范围之内,防护等级可以达到IP68
- 性能: 通过IEC-60077-1999抗振动和抗冲击试验,通过RoHS测试

- Material: Body: nickel-plated brass Seal: Polyamide, Sealing: modified rubber
- Temperature range: Min-40°C, max100°C, short-term120°C
- Protection degree: Within the clamping range, its protection degree can reach IP68
- Properties: Succeed in the experiment of IEC-60077-1999 resistance to vibration and impact, passed RoHS



HSM-EMV.SC-M 公制 螺纹 Metric Thread

规格型号 Article no.	可通过接线端子 A mm	适用屏蔽线径 B mm	适用电缆线径 C mm	螺纹规格AG Thread Dimension	螺纹长度GL Thread Length mm	(H) mm	扳手尺寸 SW1/SW2 mm	包装单位 Packet Units
HSM-EMV.SC-M12	5	2~5	3~6.5	M12×1.5	6	20.5	14/14	75
HSM-EMV.SC1-M12	5	2~5	4~8	M12×1.5	6	22	20/19	75
HSM-EMV.SC -M16	7.5	3~7	4~8	M16×1.5	7	21	17/18	75
HSM-EMV.SC1-M16	7.5	3~8	5~10	M16×1.5	7	24	22/21	32
HSM-EMV.SC -M20	11.5	5.5~11	7~12	M20×1.5	7	25	22/22	32
HSM-EMV.SC1-M20	11.5	5.5~12	9~14	M20×1.5	7	28	26/26	18
HSM-EMV.SC -M25	15.5	8.5~15	11~16	M25×1.5	7	26.25	28/28	18
HSM-EMV.SC1-M25	15.5	8.5~16	13~18	M25×1.5	7	29	30/30	18
HSM-EMV.SC -M32	20	12.5~19	15~21	M32×1.5	8	29	36/36	18
HSM-EMV.SC1-M32	20	12.5~21	17~24	M32×1.5	8	33.5	38/38	8
HSM-EMV.SC -M40	29	18.5~28	22~30	M40×1.5	9	35.5	45/45	8
HSM-EMV.SC1-M40	29	18.5~30	22~32	M40×1.5	9	34	50/50	8
HSM-EMV.SC -M50	37	27~36	30~38	M50×1.5	9	40.5	58/55	2
HSM-EMV.SC1-M50	37	27~38	30~40	M50×1.5	9	37	58/58	2
HSM-EMV.SC -M63	47	33~42	37~44	M63×1.5	10	43.5	65/70	2
HSM-EMV.SC1-M63	47	33~48	38~53	M63×1.5	10	48	75/75	2

★ 所有规格材质可以提供不锈钢HSMS-EMV.SC系列 HSMS-EMV.SC(stainless steel version) are available for all sizes

注: 客户线缆屏蔽层最好进行工艺保护处理, 常用方式有: 屏蔽层外包覆铜箔、压接圆环或六角环等手段。

Note: The shielding layer of the cable shall be treated with process protection.

Methods: Coat the shielding layer with copper foil, or crimp round rings or hexagonal rings.



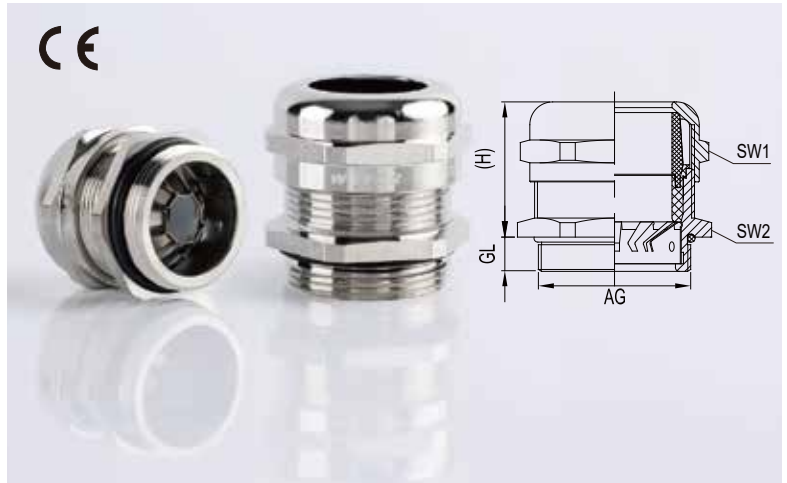
安装示意图

Assembly Delineation

HSM-EMV.SC 电磁兼容电缆防水接头 HSM-EMV.SC Cable Gland

- 材料: 外部金属为黄铜镀镍内部芯套为尼龙,密封件材料为改性橡胶
- 温度: -40°C~100°C,短时达到120°C
- 防护等级: 在规定的卡口范围之内,防护等级可以达到IP68
- 性能: 通过IEC-60077-1999抗振动和抗冲击试验,通过RoHS测试

- Material: Body: nickel-plated brass Seal: Polyamide, Sealing: modified rubber
- Temperature range: Min -40 °C ,max100 °C ,short-term120 °C
- Protection degree: Within the clamping range, its protection degree can reach IP68.
- Properties: Succeed in the experiment of IEC-60077-1999 resistance to vibration and impact, passed RoHS Patented



HSM-EMV.SC-P PG 螺纹 PG Thread

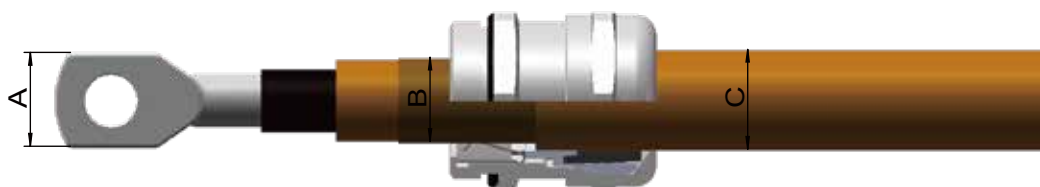
规格型号 Article no.	可通过接线端子 A mm	适用屏蔽线径 B mm	适用电缆线径 C mm	螺纹规格AG Thread Dimension	螺纹长度GL Thread Length mm	(H) mm	扳手尺寸 SW1/SW2 mm	包装单位 Packet Units
HSM-EMV.SC-P07	5	2~5	3~6.5	P07	6	20.5	14/15	75
HSM-EMV.SC1-P07	5	2~5	4~8	P07	6	22	20/19	75
HSM-EMV.SC-P09	7.5	3~7	4~8	P09	7	21	17/17	75
HSM-EMV.SC1-P09	7.5	3~8	5~10	P09	7	24	22/21	32
HSM-EMV.SC-P11	7.5	3~7	4~8	P11	7	21	17/20	75
HSM-EMV.SC1-P11	7.5	3~8	5~10	P11	7	24	22/21	32
HSM-EMV.SC-P13.5	11.5	5.5~11	7~12	P13.5	7	25	22/22	32
HSM-EMV.SC1-P13.5	11.5	5.5~12	9~14	P13.5	7	28	26/26	18
HSM-EMV.SC-P16	11.5	5.5~11	7~12	P16	7	25	22/24	32
HSM-EMV.SC1-P16	11.5	5.5~12	9~14	P16	7	28	26/26	18
HSM-EMV.SC-P21	15.5	8.5~15	11~16	P21	7	26.25	28/30	18
HSM-EMV.SC1-P21	15.5	8.5~16	13~18	P21	7	29	30/30	18
HSM-EMV.SC-P29	20	12.5~19	15~21	P29	8	29	36/40	8
HSM-EMV.SC1-P29	20	12.5~21	17~24	P29	8	33.5	38/40	8
HSM-EMV.SC-P36	29	18.5~28	22~30	P36	9	35.5	45/50	8
HSM-EMV.SC1-P36	29	18.5~30	22~32	P36	9	34	50/50	8
HSM-EMV.SC-P42	37	27~36	30~38	P42	9	40.5	58/58	2
HSM-EMV.SC1-P42	37	27~38	30~40	P42	9	37	58/58	2
HSM-EMV.SC-P48	47	33~42	37~44	P48	10	43.5	65/65	2
HSM-EMV.SC1-P48	47	33~48	38~53	P48	10	48	75/75	2

★ 所有规格材质可以提供不锈钢HSMS-EMV.SC系列 HSMS-EMV.SC(stainless steel version) are available for all sizes

注: 客户线缆屏蔽层最好进行工艺保护处理,常用方式有:屏蔽层外包覆铜箔、压接圆环或六角环等手段。

Note: The shielding layer of the cable shall be treated with process protection.

Methods: Coat the shielding layer with copper foil, or crimp round rings or hexagonal rings.



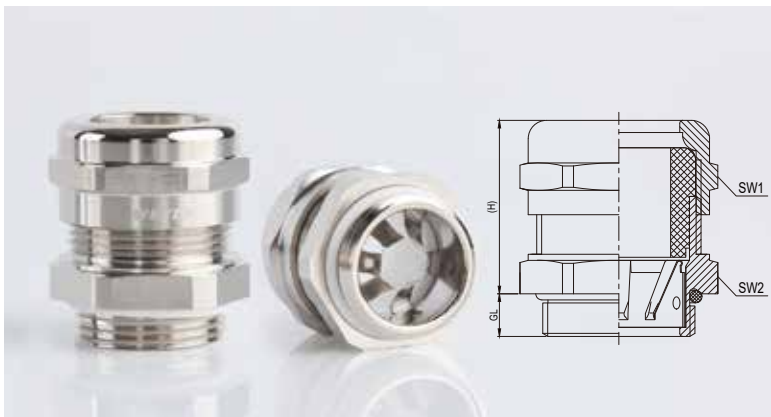
安装示意图

Assembly Delineation

HSM.DS-EMV.SC 金属屏蔽电缆防水接头 HSM-DS-EMV.SC Metal Shield Cable Gland

- 材料: 外部金属为黄铜镀镍, 密封件为阻燃硅橡胶, 屏蔽环为不锈钢
- 温度: -50°C~150°C
- 防护等级: 在规定的卡口范围之内, 防护等级可以达到IP68

- Material: The outer metal is brass nickel plating, the seal is flame retardant silicone rubber, and the shield ring is stainless steel
- Temperature: -50 °C ~ 150 °C
- Protection level: Within the clamping range, its protection degree can reach IP68

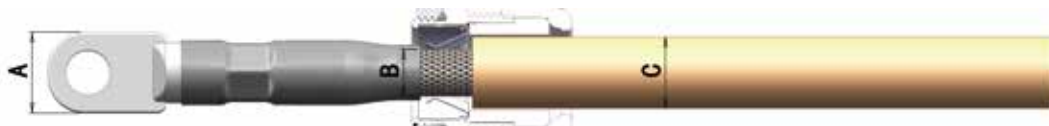


HSM.DS-EMV.SC 金属屏蔽电缆防水接头 HSM-DS-EMV.SC Metal Shield Cable Gland

规格型号 Article no.	可通过接线端子宽A mm	适用屏蔽线径B mm	适用电缆线径C mm	螺纹规格F -6g	螺纹长度GL	扳手尺寸 SW1/SW2 mm	安装高度(H) Units
HSM.DS-EMV.SC-M16/10-T	13	6~12	7~12	M16×1.5	7	22/22	33
* HSM.DS-EMV.SC-M16/10-T1	13	6~12	5.5~12	M16×1.5	7	24/24	33
* HSM.DS-EMV.SC-M16/12-T	12	6~12	8.5~12	M16×1.5	7	22/22	33
HSM.DS-EMV.SC-M20/13	14	6~12	9~13	M20×1.5	7	24/24	25.5
HSM.DS-EMV.SC-M20/13-T	13	6~12	9~13	M20×1.5	7	24/24	29
HSM.DS-EMV.SC-M20/14-T	14	6~12	11~14	M20×1.5	7	24/24	29
HSM.DS-EMV.SC-M25/14-T	14.5	6~12	10~14	M25×1.5	7	24/28	26
HSM.DS-EMV.SC-M25/14-T1	14.3	8.5~13	9~14	M25×1.5	7	26/28	27
HSM.DS-EMV.SC-M25/15-HC	16	9~16	10~15	M25×1.5	7	30/30	28.5
HSM.DS-EMV.SC-M25/17	19	9~16	14~17	M25×1.5	7	30/30	28.5
HSM.DS-EMV.SC-M25/17-T	19	9~16	14~17	M25×1.5	7	30/30	39.3
HSM.DS-EMV.SC-M25/18-HC	19	9~16	14~18	M25×1.5	7	30/30	28.5
HSM.DS-EMV.SC-M25/19-HC	19.5	9~16	16~19	M25×1.5	7	30/30	28.5
HSM.DS-EMV.SC-M25/19-T	19.5	9~16	16~19	M25×1.5	7	30/30	38
* HSM.DS-EMV.SC-M25/20.5	19.5	9~16	17~20.5	M25×1.5	7	30/30	28.5
HSM.DS-EMV.SC-M32/18	19	9~16	14~18	M32×1.5	8	30/36	27.5
HSM.DS-EMV.SC-M32/18-HC	21	9~16	12~18	M32×1.5	8	36/36	29
HSM.DS-EMV.SC-M32/20	23	13~20	16~20	M32×1.5	8	36/36	29
HSM.DS-EMV.SC-M32/22	23	13~22	17~22	M32×1.5	8	36/36	29.5
HSM.DS-EMV.SC-M32/24-HC	25.3	13~22	19~24	M32×1.5	8	36/36	29.5
HSM.DS-EMV.SC-M32/25	26	13~22	21~25	M32×1.5	8	36/36	30
* HSM.DS-EMV.SC-M32/26.5	26.5	13~22	22~26.5	M32×1.5	8	42/42	30
* HSM.DS-EMV.SC-M36/28-T	28.5	18.5~28	22.5~28	M36×2	8	45/45	38
HSM.DS-EMV.SC-M40/25	26	13~22	21~25	M40×1.5	9	40/45	29
* HSM.DS-EMV.SC-M40/32	32.5	18.5~28	26~32	M40×1.5	9	50/50	30.5
HSM.DS-EMV.SC-M40/33	32.5	18.5~28	27~33	M40×1.5	9	50/50	30.5

★ 所有规格材质可以提供不锈钢HSM.S.DS-EMV.SC系列和铝合金HSMAL.DS-EMV.SC系列
HSM.S.DS-EMV.SC(stainless steel version) and HSMAL.DS-EMV.SC (aluminum version) are available for all sizes

备注: 可以根据客户需求进行产品非标定制;屏蔽环可定制镀铜材质款(导电性更好)
Remark: Product can be customized according to customer needs; The shield ring can be customized copper plating material(better electrical conductivity)

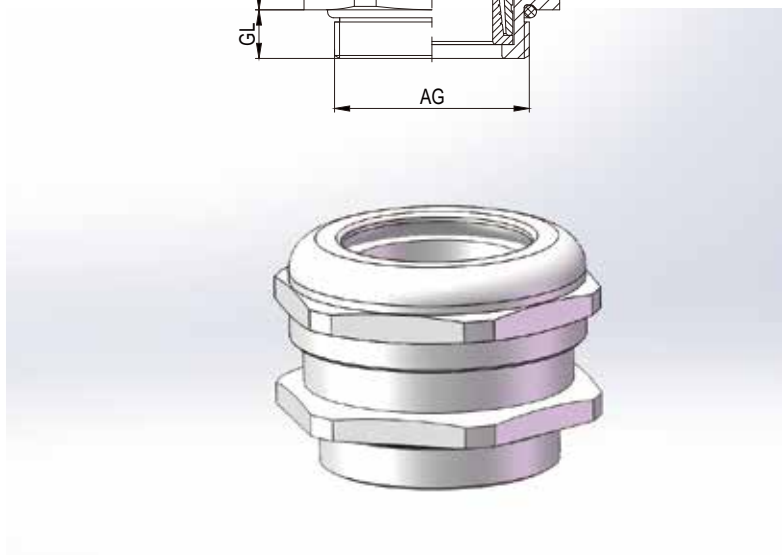
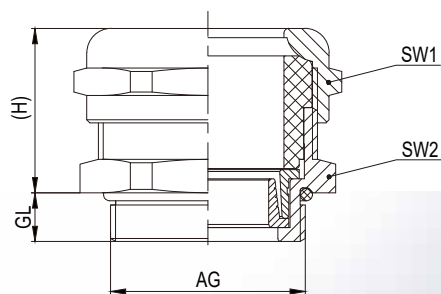


HSM.DS-KZ1系列-单芯铠装电缆防水接头

HSM.DS -KZ1 series single core armored cable waterproof cable gland

- 材料: 外部金属黄铜镀镍 密封件材料: 硅橡胶
- 温度: -50°C~150°C
- 防护等级: 在规定的卡口范围内, 防护等级可以达到IP68

-
- Material: external metal: nickel-plated brass
sealing material: silicone rubber
 - Temperature Range: Min -50 C ,Max 150 C
 - Protection degree: Within the clamping range,
its protection degree can reach IP68

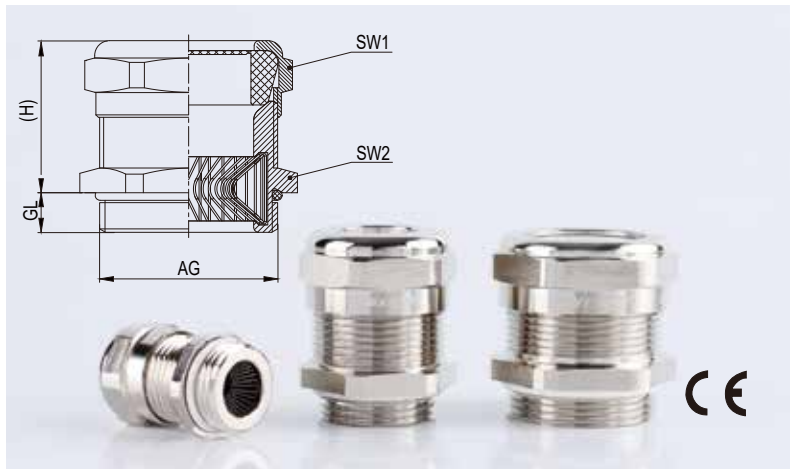


规格型号 Article no.	螺纹规格 Thread Dimension	卡口范围 Clamping Range mm	螺纹外径 AG mm	螺纹长度 GL mm	(H) mm	扳手尺寸 SW1/SW2 mm	包装单位 Packet Units
* HSM.DS-KZ1-M16/8(V0)	M16x1.5	5-8	M16	6	20.5	18/18	50
* HSM.DS-KZ1-M20/10(V0)	M20x1.5	7-10	M20	7	23	22/22	50
HSM.DS-KZ1-M25/15(V0)	M25x1.5	12-15	M25	7	25	30/28	25
HSM.DS-KZ1-M32/18(V0)	M32x1.5	14~18	M32	8	26	36/36	25
HSM.DS-KZ1-M32/25(V0)	M32x1.5	21~25	M32	8	27	40/38	25
HSM.DS-KZ1-M32/25(V0)	M40x1.5	24~28	M40	9	28.5	45/45	10
HSM.DS-KZ1-M40/30(V0)	M40x1.5	25~30	M40	9	30	50/50	10

HSM.ZX-EMV.T 金属屏蔽电缆防水接头 Metal Shielding Cable Gland

- 材料: 外部金属为黄铜镀镍,芯体为硅橡胶,弹簧为不锈钢
- 温度: -50°C~150°C
- 防护等级: 在规定的卡口范围之内,防护等级可以达到IP68

- Material: The outer metal is brass nickel plating, the core is Silicon rubber, and the spring is stainless steel
- Temperature range: Min -50 C ,max 150 C
- Protection degree: Within the clamping range, its protection degree can reach IP68



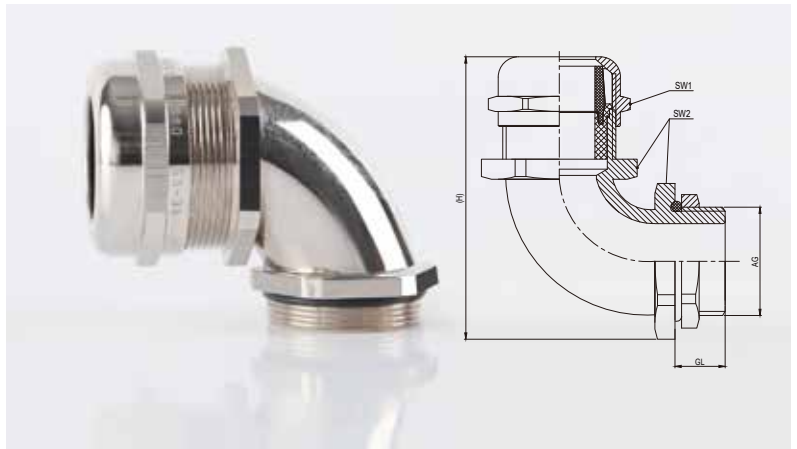
规格型号 Article no.	螺纹规格AG Cable Dimension mm	电缆使用径C Cable Diameter mm	螺纹长度GL Thread Length mm	可通过接线端子A Throug Connecting Terminal	屏蔽有效线径B Shiedld Effective Wire Diameter mm	(H) mm	扳手尺寸 SW1/SW2 mm
HSM.ZX-EMV.T-M12/8(S)	M12×1.5	5~8	6	7	3.5-7	20	17/17
HSM.ZX-EMV.T-M12/8-T	M12×1.5	4~8	6	7.5	4-7	33	17/17
HSM.ZX-EMV.T-M16/8	M16×1.5	5~8	6	7	3.5-7	23	17/18
HSM.ZX-EMV.T-M16/9.5-T	M16×1.5	4~9.5	7	9.5	6.5~9	36	22/22
HSM.ZX-EMV.T-M18/10	M18×1.5	7~10	7	10.2	6~10	27	20/20
HSM.ZX-EMV.T-M22/13	M22×1.5	10~13	7	12	8~12	26.5	24/24
HSM.ZX-EMV.T-M20/12	M20×1.5	7~12	7	12	7.5~11	27	24/24
HSM.ZX-EMV.T-M20/13	M20×1.5	10~13	7	12	8~12	27	24/24
HSM.ZX-EMV.T-M20/15-T	M20×1.5	12~14	7	14	11~14	35	24/24
HSM.ZX-EMV.T-M25/16	M25×1.5	11~16	7	15.5	8~15	32	30/30
HSM.ZX-EMV.T-M25/17-T	M25×1.5	13~17	7	16.5	10.5~16	36.5	30/30
HSM.ZX-EMV.T-M25/19-T	M25×1.5	12~19	7	18.5	12~18	39	32/32
HSM.ZX-EMV.T-M25/22-T	M25×1.5	18~22	8	21	13.5~21	36	36/36
HSM.ZX-EMV.T-M25/20-T	M25×1.5	16~20	7	19	12~19	34.5	30/30
HSM.ZX-EMV.T-M27/17-T	M27×2.0	14~17	8	18	11~16	36.5	30/30
HSM.ZX-EMV.T-M30/21	M30×2.0	14~21	8	20.5	12.5~20	30	36/36
HSM.ZX-EMV.T-M32/19	M32×1.5	14~19	8	21	13.5~18	31	32/36
HSM.ZX-EMV.T-M32/20-T	M32×1.5	16~20	8	19	12~19	33.5	30/36
HSM.ZX-EMV.T-M32/21-T	M32×1.5	17~21	8	22	14.5~20	38	36/36
HSM.ZX-EMV.T-M32/23	M32×1.5	18~23	8	22	15.2~22	27.5	36/36
HSM.ZX-EMV.T-M32/23-T	M32×1.5	18~23	8	22.8	14.8~22	36	36/36
HSM.ZX-EMV.T-M32/25-T	M32×1.5	19~25	8	25	18~24	39	38/38
HSM.ZX-EMV.T-M33/21	M33×2.0	17~21	8	21	14~20	28.5	36/36
HSM.ZX-EMV.T-P16/14	PG16	10~14	7	13	8.5~12	27	24/24
HSM.ZX-EMV.T-P21/19-T	PG21	14~19	7	18.5	13~18.5	40	32/32
HSM.ZX-EMV.T-P21/20	PG21	16~20	7	18	11~19	30	30/30
HSM.ZX-EMV.T-P21/20-T	PG21	16~21	7	21	11.5~21	38	32/32

★ 所有规格材质可以提供不锈钢HSM.S.ZX-EMV.T系列和铝合金HSM.AL.ZX-EMV.T系列
HSM.S.ZX-EMV.T(stainless steel version) and HSM.AL.ZX-EMV.T (aluminum version) are available for all sizes

HSMW 直角金属电缆防水接头 90°Elbow Metal Cable Gland

- 直角金属电缆防水接头，一端成90°，连接箱体，电机等设备，可定制可定位款HSMW1

- Bend metal cable gland. 90° bent, connecting to cabinet, motor and other equipment. HSMW1 (nickel-plated brass version) is available for all sizes.



HSMW-M 接头公制螺纹 Metric Thread

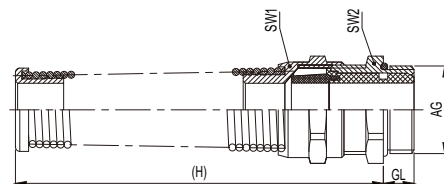
规格型号 Article no.	螺纹规格 Thread Dimension	卡口范围 Clamping Range mm	螺纹外径 AG mm	螺纹长度 GL mm	(H) mm	扳手尺寸 SW1/SW2 mm	包装单位 Packet Units
* HSMW-M12	M12×1.5	3~6.5	12	9	45	20/21	25
* HSMW-M16-H	M16×1.5	3~6.5	16	9	45	20/21	25
* HSMW-M16	M16×1.5	4~8	16	9	45	20/21	25
* HSMW-M16-D	M16×1.5	5~10	16	10	57	20/25	20
* HSMW-M18	M18×1.5	5~10	18	10	57	20/25	20
* HSMW-M20-H	M20×1.5	5~10	20	10	57	20/25	20
HSMW-M20	M20×1.5	6~12	20	10	57	24/25	20
HSMW-M20-D	M20×1.5	8~14	20	10	58	24/30	20
* HSMW-M22	M22×1.5	8~14	22	15	58	24/30	20
* HSMW-M24-H	M24×1.5	6~12	24	15	58	24/30	20
* HSMW-M24	M24×1.5	8~14	24	15	58	24/30	20
* HSMW-M25-H	M25×1.5	8~14	25	15	58	24/30	20
HSMW-M25	M25×1.5	10~16	25	10	66.5	27/31	10
* HSMW-M25-D	M25×1.5	13~18	25	15	75	30/34	10
* HSMW-M27-H	M27×2.0	10~16	27	15	75	28/34	10
* HSMW-M27	M27×2.0	13~18	27	15	75	30/34	10
* HSMW-M30-H	M30×2.0	10~16	30	15	75	28/34	10
* HSMW-M30	M30×2.0	13~18	30	15	75	30/34	10
* HSMW-M32-H	M32×1.5	13~18	32	15	75	30/34	10
* HSMW-M32-D	M32×1.5	18~25	32	15	90	40/43	5
* HSMW-M33	M33×2.0	18~25	33	15	90	40/43	5
* HSMW-M36-H	M36×2.0	15~22	36	15	90	36/43	5
* HSMW-M36	M36×2.0	18~25	36	15	90	40/43	5
* HSMW-M40-H	M40×1.5	18~25	40	15	90	40/43	5
HSMW-M40	M40×1.5	22~30	40	15	105	50/55	2
HSMW-M40-D	M40×1.5	22~32	40	15	89	50/55	2
* HSMW-M42	M42×2.0	22~32	42	15	115	50/55	2
* HSMW-M48	M48×2.0	22~32	48	15	115	50/55	2
* HSMW-M50	M50×1.5	30~38	50	15	115	55/60	2
* HSMW-M56	M56×2.0	30~38	56	15	115	55/60	2
* HSMW-M60	M60×2.0	37~44	60	18	125	65/70	2
* HSMW-M63	M63×1.5	37~44	63	18	125	75/75	2
* HSMW-M64	M64×2.0	37~44	64	18	125	65/70	2

HSM-F系列-防折断金属电缆防水接头 HSM-F Series Anti-breaking Metal Cable Waterproof Connector

- 材料:外部金属黄铜镀镍 密封件材料为改性橡胶
- 防护等级:在规定的卡口范围内,防护等级可以达到IP68
- 温度:-40°C-100°C,短时达到120°C

- Material: Body: nickel-plated brass Sealing: modified rubber
- Protection degree: Within the clamping range, its protection degree can reach IP68
- Temperature range: Min-40 C.,max 100 C.,short-term 120 C

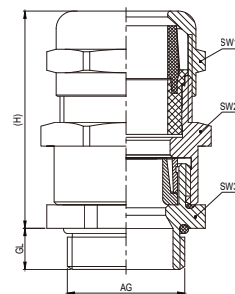
规格型号 Article no.	螺纹规格 Thread Dimension	卡口范围 Clamping Range mm	螺纹外径 AG mm	螺纹长度 GL mm	(H) mm	扳手尺寸 SW1/SW2 mm	包装单位 Packet Units
* HSM-F-M12	M12×1.5	3~6.5	M12	6	54	14/14	50
* HSM-F-M16	M16×1.5	4~8	M16	7	64	17/18	50
* HSM-F-M18	M18×1.5	5~10	M18	7	74.5	20/20	50
* HSM-F-M20	M20×1.5	6~12	M20	7	84	22/22	25
* HSM-F-M22	M22×1.5	8~14	M22	7	94	24/24	25
* HSM-F-M25	M25×1.5	10~16	M25	7	102	28/28	25
HSM-F-M30	M30×1.5	13~18	M30	8	114	30/34	10
HSM-F-M32	M32×1.5	15~22	M32	8	125	36/36	10



HSM-KZ 金属铠装电缆接头 Metal Cable Gland

- 材料:外部金属为黄铜镀镍内部芯套为尼龙,密封件材料为改性橡胶
- 温度:-40°C~100°C,短时达120°C
- 防护等级:在规定的卡口范围之内,防护等级可以达到IP68
- 性能:通过IEC-60077-1999抗振动和抗冲击试验,通过RoHS测试

- Material: Body: nickel-plated brass Seal: Polyamide, Sealing:modified rubber
- Temperature range: Min -40 C.,Max 100 C.,Short-term 120 C
- Protection degree: Within the clamping range, ts protection degree can reach IP68
- Properties: Succeed in the experiment of IEC-60077-1999 resistance to vibration and impact, passed RoHS



HSM-KZ-M 公制螺纹 Metric Metric

规格型号 Article no.	螺纹规格 Thread Dimension	卡口范围 Clamping Range mm	螺纹外径 AG mm	螺纹长度 GL mm	(H) mm	SW1/SW2/SW3 mm	包装单位 Packet Units
HSM-KZ-M16-H	M16×1.5	3~6.5	16	7	31	14/19/18	16
HSM-KZ-M16	M16×1.5	4~8	16	7	32	18/21/21	16
* HSM-KZ-M16-DL	M16×1.5	5~10	16	10	36	20/21/21	16
* HSM-KZ-M20-L	M20×1.5	6~12	20	10	37	23/23/23	16
* HSM-KZ-M20-DL	M20×1.5	8~14	20	10	37	24/26/24	16
* HSM-KZ-M20-TDL	M20×1.5	10~16	20	10	38	28/28/28	9
* HSM-KZ-M25-L	M25×1.5	10~16	25	12	38	28/28/28	9
* HSM-KZ-M25-DL	M25×1.5	13~18	25	12	44.5	30/30/30	9
* HSM-KZ-M25-TDL	M25×1.5	15~22	25	12	43.5	36/36/36	18
* HSM-KZ-M32-L	M32×1.5	15~22	32	12	43.5	36/36/36	9
* HSM-KZ-M32-DL	M32×1.5	18~25	32	12	47	40/40/40	4
* HSM-KZ-M40-L	M40×1.5	22~30	40	15	51	45/45/45	4
* HSM-KZ-M50-L	M50×1.5	30~38	50	15	58	50/58/58	2
* HSM-KZ-M50-DL	M50×1.5	37~44	50	15	59	65/65/60	2
* HSM-KZ-M63-L	M63×1.5	37~44	63	15	59	65/65/60	1
* HSM-KZ-M63-DL	M63×1.5	42~53	63	15	65	75/75/70	1
HSM-KZ-M72-H-15	M72×2.0	52~57	72	15	65	75/80/75	1
HSM-KZ-M72-15	M72×2.0	55~61	72	15	65	86/90/86	1

★ 所有规格材质可以提供不锈钢HSM-KZ系列
HSM-KZ (stainless steel version) are
available for all sizes

注:PG制、G制、NPT制以及其它非标品也可以进行开发,特殊屏蔽层可按需定制铠装环

Note: PG, G, NPT, and other non-standard products can also be developed,
and special shield layers can be customized as needed

HSK-EX 防爆尼龙电缆防水接头 EX Plastic Cable Gland

- 材料: 尼龙 密封件材料:改性橡胶
- 颜色: 灰白色(RAL 7035),黑色(RAL9005)
- 温度: -40°C~100°C.
- 防护等级: 在规定的卡口范围内,并使用合适的O形密封圈,防护等级可以达到IP68
- 阻燃等级: V2(UL94),不含卤素、磷、镉,通过RoHS测试,耐UV,通过抗老化测试
- 防爆等级: Ex eb IIC Gb Ex tb IIIC Db
防爆证书号: TUV 17ATEX 8015X IECEx TUR 17.0009X



- Material: Polyamide, Sealing:modified rubber
- Color: Grey white (RAL 7035), black (RAL 9005)
- Temperature range: Min -40 °C, max 100 °C,
- Protection degree: Using suitable O-sealings within the clamping range, its protection degree can reach IP68
- Properties: V2(UL94), free of halogen, phosphor and cadmium, passed RoHS UV-resistance, passed anti-aging test
- EX degree: Ex eb IIC Gb Ex tb IIIC Db Certificate No.:TUV 17ATEX 8015X IECEx TUR 17.0009X

HSK-EX-M 公制螺纹 Metric Thread

规格型号 Article no.	螺纹规格 Thread Dimension	卡口范围 Clamping Range mm	螺纹外径 AG mm	螺纹长度 GL mm	(H) mm	扳手尺寸 SW1/SW2 mm	包装单位 Packet Units
HSK-EX-M12 #	M12×1.5	3~6.5	12	8	20	15	100
HSK-EX-M16 #-H	M16×1.5	2.5~6	16	8	22	19	100
HSK-EX-M16 #	M16×1.5	4~8	16	8	22	19	100
HSK-EX-M16 #-D	M16×1.5	5~10	16	8	25	22	100
HSK-EX-M18 #	M18×1.5	5~10	18	8	25	22	100
HSK-EX-M20 #-H	M20×1.5	5~9	20	9	26.5	24	100
HSK-EX-M20 #	M20×1.5	6~12	20	9	26.5	24	100
HSK-EX-M20 #-D	M20×1.5	8~14	20	10	28	27	50
HSK-EX-M22 #-H	M22×1.5	7~12	22	10	28	27	50
HSK-EX-M22 #	M22×1.5	8~14	22	10	28	27	50
HSK-EX-M24 #-H	M24×1.5	7~12	24	10	28	27	50
HSK-EX-M24 #	M24×1.5	8~14	24	10	28	27	50
HSK-EX-M25 #-H	M25×1.5	11~16	25	11	31.5	33	50
HSK-EX-M25 #	M25×1.5	13~18	25	11	31.5	33	50
HSK-EX-M27 #-H	M27×2.0	11~16	27	11	31.5	33	50
HSK-EX-M27 #	M27×2.0	13~18	27	11	31.5	33	50
HSK-EX-M30 #-H	M30×2.0	11~16	30	11	31.5	33	50
HSK-EX-M30 #	M30×2.0	13~18	30	11	31.5	33	50
HSK-EX-M32 #-H	M32×1.5	14~21	32	11	39	42	25
HSK-EX-M32 #	M32×1.5	18~25	32	11	39	42	25
HSK-EX-M33 #	M33×2.0	18~25	33	11	39	42	25
HSK-EX-M36 #-H	M36×2.0	14~21	36	11	39	42	25
HSK-EX-M36 #	M36×2.0	18~25	36	11	39	42	25
HSK-EX-M40 #	M40×1.5	22~32	40	13	48.5	53	10
HSK-EX-M42 #	M42×2.0	22~32	42	13	46.5	53	10
HSK-EX-M48 #	M48×2.0	22~32	48	13	48.5	53	10
HSK-EX-M50 #	M50×1.5	30~38	50	15	47.3	60	10
HSK-EX-M56 #	M56×2.0	30~38	56	15	47.3	60	10
HSK-EX-M60 #	M60×2.0	37~44	60	15	47	68	5
HSK-EX-M63 #	M63×1.5	37~44	63	15	47	68	5
HSK-EX-M64 #	M64×2.0	37~44	64	15	47	68	5

★ 订货编号: #-B(黑色)、G(灰白色) Order number: #-B(Black)、G(Grey white)

HSK-EX 防爆尼龙电缆防水接头 EX Plastic Cable Gland

- 材料: 尼龙 密封件材料: 改性橡胶
- 颜色: 灰白色(RAL 7035), 黑色(RAL 9005)
- 温度: -40°C~100°C.
- 防护等级: 在规定的卡口范围内, 并使用合适的O形密封圈, 防护等级可以达到IP68
- 阻燃等级: V2(UL94), 不含卤素、磷、镉, 通过RoHS测试, 耐UV, 通过抗老化测试
- 防爆等级: Ex eb IIC Gb Ex tb IIIC Db
防爆证书号: TUV 17ATEX 8015X IECEx TUR 17.0009X

- Material: Polyamide, Sealing: modified rubber
- Color: Grey white (RAL 7035), black (RAL 9005)
- Temperature Range: Min -40°C, max 100°C,
- Protection degree: Using suitable O-sealings within the clamping range, its protection degree can reach IP68
- Flame retardant grade: V2(UL94), no halogen, phosphorus, cadmium, passed RoHS test, TUV resistance, passed anti-aging test.
- EX degree: Ex eb IIC Gb Ex tb IIIC Db Certificate
No.: TUV 17ATEX 8015X IECEx TUR 17.0009X



HSK-EX-M-L 加长型公制螺纹 Lengthened Metric Thread

规格型号 Article no.	螺纹规格 Thread Dimension	卡口范围 Clamping Range mm	螺纹外径 AG mm	螺纹长度 GL mm	(H) mm	扳手尺寸 SW1/SW2 mm	包装单位 Packet Units
HSK-EX-M12 #-L	M12×1.5	3~6.5	12	15	20	15	100
HSK-EX-M16 #-HL	M16×1.5	2.5~6	16	15	22	19	100
HSK-EX-M16 #-L	M16×1.5	4~8	16	15	22	19	100
HSK-EX-M16 #-DL	M16×1.5	5~10	16	15	25	22	100
HSK-EX-M18 #-L	M18×1.5	5~10	18	15	25	22	100
HSK-EX-M20 #-HL	M20×1.5	5~9	20	15	26.5	24	100
HSK-EX-M20 #-L	M20×1.5	6~12	20	15	26.5	24	100
HSK-EX-M20 #-DL	M20×1.5	8~14	20	15	28	27	50
HSK-EX-M22 #-HL	M20×1.5	7~12	22	15	28	27	50
HSK-EX-M22 #-L	M22×1.5	8~14	22	15	28	27	50
HSK-EX-M24 #-HL	M24×1.5	7~12	24	15	28	27	50
HSK-EX-M24 #-L	M24×1.5	8~14	24	15	27	27	50
HSK-EX-M25 #-HL	M25×1.5	11~16	25	15	33	33	50
HSK-EX-M25 #-L	M25×1.5	13~18	25	15	33	33	50
HSK-EX-M32 #-HL	M32×1.5	14~21	32	15	42	42	25
HSK-EX-M32 #-L	M32×1.5	18~25	32	15	42	42	25

HSK-EX-N 60°NPT 制锥形螺纹 NPT Thread/HSK-EX-G55° 管螺纹 G Thread

规格型号 Article no.	螺纹规格 Thread Dimension	卡口范围 Clamping Range mm	螺纹外径 AG mm	螺纹长度 GL mm	(H) mm	扳手尺寸 SW1/SW2 mm	包装单位 Packet Units
HSK-EX-N 3/8 #-H	NPT3/8"	2~6	16.65	11	25	20	100
HSK-EX-N 3/8 #	NPT3/8"	4~8	16.65	11	25	24	100
HSK-EX-N 1/2 #-H	NPT1/2"	5~9	20.85	13	26.5	24	100
HSK-EX-N 1/2 #	NPT1/2"	6~12	20.85	13	26.5	24	100
HSK-EX-N 3/4 #-H	NPT3/4"	11~16	26.3	13	31.5	30	50
HSK-EX-N 3/4 #	NPT3/4"	13~18	26.3	13	31.5	30	50
HSK-EX-N 1 #-H	NPT1"	14~21	33.15	16	39	40	25
HSK-EX-N 1 #	NPT1"	18~25	33.15	16	39	40	25
HSK-EX-G 1/2 #-H	G1/2"	5~9	20.99	9	26.5	24	100
HSK-EX-G 1/2 #	G1/2"	6~12	20.99	9	26.5	24	100
HSK-EX-G 3/4 #	G 3/4"	13~18	26.44	11	31.5	33	50
HSK-EX-G 1 #	G 1"	18~25	33.24	11	39	42	25
HSK-EX-G 1 1/2 #	G 1 1/2"	22~32	47.8	13	48.5	53	10
HSK-EX-G 2 #	G 2"	37~44	59.61	15	47	65	5

★ 订货编号: #-B(黑色)、G(灰白色) Order number: #-B(Black)、G(Grey white)

HSK-EX 防爆尼龙电缆防水接头 EX Plastic Cable Gland

- 材料: 尼龙 密封件材料:改性橡胶
- 颜色: 灰白色(RAL 7035), 黑色(RAL 9005)
- 温度: -40°C~100°C.
- 防护等级: 在规定的卡口范围内, 并使用合适的O形密封圈,
- 防护等级可以达到IP68
- 阻燃等级: V2(UL94), 不含卤素、磷、镉, 通过RoHS测试, 耐UV, 通过抗老化测试
- 防爆等级: Ex eb IIC Gb Ex tb IIIC Db
防爆证书号: TUV 17ATEX 8015X IECEx TUR 17.0009X

- Material: Polyamide, Sealing: modified rubber
- Color: Grey white (RAL 7035), Black (RAL 9005)
- Temperature range: Min -40 °C, max 100 °C.
- Protection degree: Using suitable O-sealings within the clamping range, its protection degree can reach IP68
- Properties: V2(UL94), free of halogen, phosphor and cadmium, passed RoHS UV-resistance, passed anti-aging test.
- EX degree: Ex eb IIC Gb Ex tb IIIC Db Certificate No.: TUV 17ATEX 8015X IECEx TUR 17.0009X



HSK-EX-P/HSK-EX-P-L 加长型 PG 螺纹 PG Thread

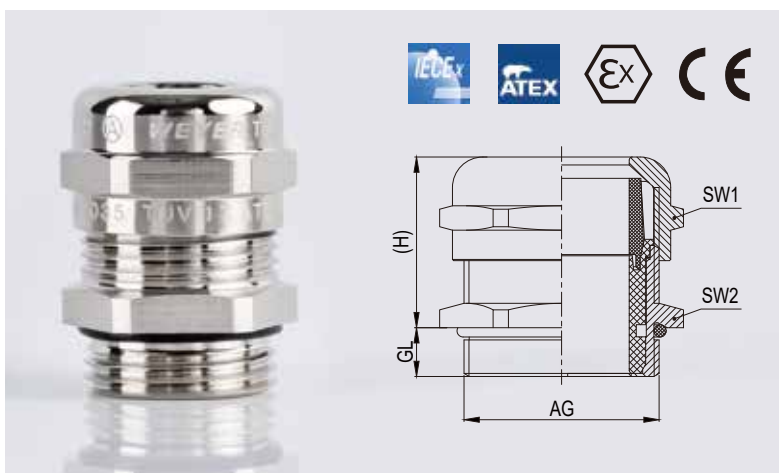
规格型号 Article no.	螺纹规格 Thread Dimension	卡口范围 Clamping range mm	螺纹外径 AG mm	螺纹长度 GL mm	(H) mm	扳手尺寸 SW1/SW2 mm	包装单位 Packet Units
HSK-EX-P07 #	PG7	3~6.5	12.5	8	20	15	100
HSK-EX-P09 #H	PG9	2.5~6	15.2	8	22	19	100
HSK-EX-P09 #	PG9	4~8	15.2	8	22	19	100
HSK-EX-P11 #	PG11	5~10	18.6	8	25	22	100
HSK-EX-P13.5 #H	PG13.5	5~9	20.4	9	26.5	24	100
HSK-EX-P13.5 #	PG13.5	6~12	20.4	9	26.5	24	100
HSK-EX-P16 #H	PG16	7~12	22.5	10	28	27	50
HSK-EX-P16 #	PG16	8~14	22.5	10	28	27	50
HSK-EX-P21 #H	PG21	11~16	28.3	11	31.5	33	50
HSK-EX-P21 #	PG21	13~18	28.3	11	31.5	33	50
HSK-EX-P29 #H	PG29	14~21	37	11	39	42	25
HSK-EX-P29 #	PG29	18~25	37	11	39	42	25
HSK-EX-P36 #	PG36	22~32	47	13	48.5	53/52	10
HSK-EX-P42 #	PG42	30~38	54	15	47.3	60	10
HSK-EX-P48 #	PG48	37~44	59.3	15	47	65	5
HSK-EX-P07 #L	PG7	3~6.5	12.5	15	20	15	100
HSK-EX-P09 #HL	PG9	2.5~6	15.2	15	22	19	100
HSK-EX-P09 #L	PG9	4~8	15.2	15	22	19	100
HSK-EX-P11 #L	PG11	5~10	18.6	15	25	22	100
SK-EX-P13.5 #L	PG13.5	5~9	20.4	15	26.5	24	100
HSK-EX-P13.5 #L	PG13.5	6~12	20.4	15	26.5	24	100
HSK-EX-P16 #HL	PG16	7~12	22.5	15	28	27	50
HSK-EX-P16 #L	PG16	8~14	22.5	15	28	27	50
HSK-EX-P21 #HL	PG21	11~16	28.3	15	31.5	33	50
HSK-EX-P21 #L	PG21	13~18	28.3	15	31.5	33	50
HSK-EX-P29 #HL	PG29	14~21	37	15	39	42	25
HSK-EX-P29 #L	PG29	18~25	37	15	39	42	25

★ 订货编号: #=B(黑色)、G(灰白色) Order number: #=B(Black)、G(Grey white)

HSM-EX 防爆金属电缆防水接头 EX Metal Cable Gland

- 材料: 外部金属为黄铜镀镍 内部芯套为尼龙 密封件材料为改性橡胶
- 温度: -40°C~100°C,短时达120°C
- 防护等级: 在规定的卡口范围内, 防护等级可以达到IP68
- 防爆等级: Ex eb IIC Gb Ex tb IIIC Db
- 防爆证书号: TUV 17ATEX 8015X IECEX TUR 17.0009X
- 性能: 通过IEC-60077-1999抗振动和抗冲击试验,通过RoHS测试

- Material: Body: nickel-plated brass
Seal: Polyamide, Sealing: modified rubber
- Temperature range: Min -40 °C, max 100 °C, short-term 120 °C
- Protection degree: Within the clamping range, its protection degree can reach IP68
- EX degree: Ex eb IIC Gb Ex tb IIIC Db Certificate No.:TUV 17ATEX 8015X IECEX TUR 17.0009X
- Properties: Succeed in the experiment of IEC-60077-1999 resistance to vibration and impact, passed RoHS



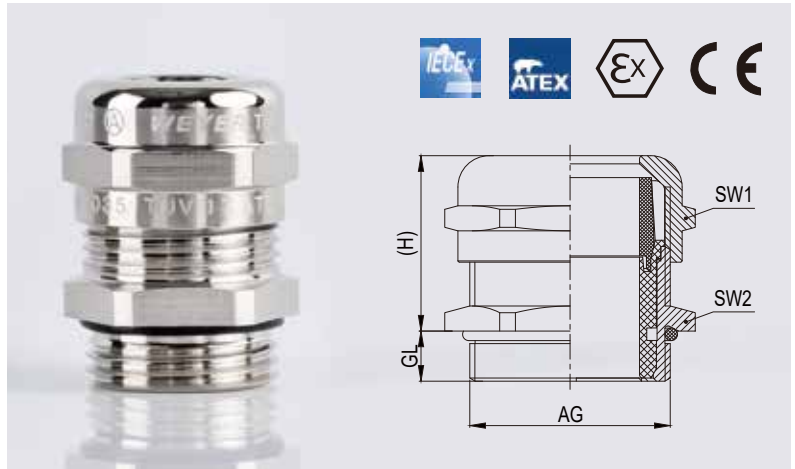
HSM-EX-M 公制螺纹 Metric Thread

规格型号 Article no.	螺纹规格 Thread Dimension	卡口范围 Clamping Range mm	螺纹外径 AG mm	螺纹长度 GL mm	(H) mm	扳手尺寸 SW1/SW2 mm	包装单位 Packet Units
HSM-EX-M12	M12×1.5	3~6.5	12	6	19	14/14	75
HSM-EX-M16-H	M16×1.5	3~6.5	16	7	20	14/18	75
HSM-EX-M16	M16×1.5	4~8	16	7	21	17/18	75
HSM-EX-M16-D	M16×1.5	5~10	16	7	22.5	20/20	50
HSM-EX-M18	M18×1.5	5~10	18	7	22.5	20/20	50
HSM-EX-M20-H	M20×1.5	5~10	20	7	22.5	20/22	32
HSM-EX-M20	M20×1.5	6~12	20	7	23.5	22/22	32
HSM-EX-M20-D	M20×1.5	8~14	20	7	23	24/24	32
HSM-EX-M22	M22×1.5	8~14	22	7	23	24/24	32
* HSM-EX-M24-H	M24×1.5	6~12	24	7	23.5	22/28	18
HSM-EX-M24	M24×1.5	8~14	24	7	23	24/27	18
HSM-EX-M25-H	M25×1.5	8~14	25	7	23	24/28	18
HSM-EX-M25	M25×1.5	10~16	25	7	24.5	28/28	18
HSM-EX-M25-D	M25×1.5	13~18	25	7	26	30/30	18
* HSM-EX-M27-H	M27×2.0	10~16	27	8	24.5	28/30	18
HSM-EX-M27	M27×2.0	13~18	27	8	26	30/30	18
HSM-EX-M30-H	M30×2.0	10~16	30	8	24.5	28/34	18
HSM-EX-M30	M30×2.0	13~18	30	8	26	30/34	18
HSM-EX-M32-H	M32×1.5	13~18	32	8	26	30/36	18
HSM-EX-M32	M32×1.5	15~22	32	8	28	36/36	18
HSM-EX-M32-D	M32×1.5	18~25	32	8	33	40/38	8
HSM-EX-M33	M33×2.0	18~25	33	8	33	40/38	8
* HSM-EX-M36-H	M36×2.0	15~22	36	8	28	36/40	8
HSM-EX-M36	M36×2.0	18~25	36	8	33	40/40	8
* HSM-EX-M40-H	M40×1.5	18~25	40	9	33.5	40/45	8
HSM-EX-M40	M40×1.5	22~30	40	9	35.5	45/45	8
HSM-EX-M40-D	M40×1.5	22~32	40	9	38.5	50/50	4
HSM-EX-M42	M42×2.0	22~32	42	9	38.5	50/50	4
HSM-EX-M48	M48×2.0	22~32	48	9	38.5	50/52	4
HSM-EX-M50	M50×1.5	30~38	50	9	40	58/55	4
* HSM-EX-M56	M56×2.0	30~38	56	9	40	58/60	2
HSM-EX-M60	M60×2.0	37~44	60	10	41	65/65	2
HSM-EX-M63	M63×1.5	37~44	63	10	41	65/70	2
HSM-EX-M63-D	M63×1.5	42~53	63	10	44.5	75/75	2
HSM-EX-M64	M64×2.0	37~44	64	10	41	65/70	2

★ 所有规格材质可以提供不锈钢HSMS-EX系列
HSMS-EX (stainless steel version) are available for all sizes

HSM-EX 防爆金属电缆防水接头 EX Metal Cable Gland

- 材料: 外部金属为黄铜镀镍 内部芯套为尼龙 密封件材料为改性橡胶
- 温度: -40°C~100°C,短时达120°C
- 防护等级: 在规定的卡口范围内,防护等级可以达到IP68
- 防爆等级: Ex eb IIC Gb Ex tb IIIC Db
防爆证书号: TUV 17ATEX 8015X IECEX TUR 17.0009X
- 性能: 通过IEC-60077-1999抗振动和抗冲击试验,通过RoHS测试



- Material: Body: nickel-plated brass Seal: Polyamide, Sealing: modified rubber
- Temperature range: Min-40 °C ,max100 °C ,short-term120 °C
- Protection degree: Within the clamping range, its protection degree can reach IP68
- EX degree: Ex eb IIC Gb Ex tb IIIC Db Certificate No.:TUV 17ATEX 8015X IECEX TUR 17.0009X
- Properties: Succeed in the experiment of IEC-60077-1999 resistance to vibration and impact,passed RoHS

HSM-EX-M-L 加长型公制螺纹 Lengthened Metric Thread

规格型号 Article no.	螺纹规格 Thread Dimension	卡口范围 Clamping Range mm	螺纹外径 AG mm	螺纹长度 GL mm	(H) mm	扳手尺寸 SW1/SW2 mm	包装单位 Packet Units
HSM-EX-M12-L	M12×1.5	3~6.5	12	10	19	14/14	50
* HSM-EX-M16-HL	M16×1.5	3~6.5	16	10	20	14/18	50
HSM-EX-M16-L	M16×1.5	4~8	16	10	21	17/18	50
HSM-EX-M16-DL	M16×1.5	5~10	16	10	22.5	20/20	50
HSM-EX-M18-L	M18×1.5	5~10	18	10	22.5	20/20	50
HSM-EX-M20-HL	M20×1.5	5~10	20	10	22.5	20/22	32
HSM-EX-M20-L	M20×1.5	6~12	20	10	23.5	22/22	32
HSM-EX-M20-DL	M20×1.5	8~14	20	10	23	24/24	32
HSM-EX-M22-L	M22×2.0	8~14	22	10	23	24/24	32
HSM-EX-M24-HL	M24×1.5	6~12	24	10	23.5	22/28	18
HSM-EX-M24-L	M24×1.5	8~14	24	12	23	24/27	18
HSM-EX-M25-HL	M25×1.5	8~14	25	12	23	24/28	18
HSM-EX-M25-L	M25×1.5	10~16	25	12	24.5	28/28	18
HSM-EX-M25-DL	M25×1.5	13~18	25	12	26	30/30	18
HSM-EX-M27-HL	M27×2.0	10~16	27	12	24.5	28/30	18
* HSM-EX-M27-L	M27×2.0	13~18	27	12	26	30/30	18
* HSM-EX-M30-HL	M30×2.0	10~16	30	12	24.5	28/34	18
HSM-EX-M30-L	M30×2.0	13~18	30	12	26	30/34	18
HSM-EX-M32-HL	M32×1.5	13~18	32	12	26	30/36	18
HSM-EX-M32-L	M32×1.5	15~22	32	12	28	36/36	18
HSM-EX-M32-DL	M32×1.5	18~25	32	12	33	40/40	8
HSM-EX-M33-L	M33×2.0	18~25	33	12	33	40/40	8
* HSM-EX-M36-HL	M36×2.0	15~22	36	12	28	36/40	8
HSM-EX-M36-L	M36×2.0	18~25	36	15	33	40/40	8
HSM-EX-M40-HL	M40×1.5	18~25	40	15	33.5	40/45	4
HSM-EX-M40-L	M40×1.5	22~30	40	15	35.5	45/45	4
HSM-EX-M40-DL	M40×1.5	22~32	40	15	38.5	50/50	4
HSM-EX-M42-L	M42×2.0	22~32	42	14	38.5	50/50	4
HSM-EX-M48-L	M48×2.0	22~32	48	15	38	50/52	4
HSM-EX-M50-L	M50×1.5	30~38	50	15	40	55/58	2
* HSM-EX-M56-L	M56×2.0	30~38	56	15	40	58/60	2
HSM-EX-M60-L	M60×2.0	37~44	60	15	41	65/65	1
* HSM-EX-M63-L	M63×1.5	37~44	63	15	41	65/70	2
HSM-EX-M63-DL	M63×1.5	42~53	63	15	44.5	75/75	1
HSM-EX-M64-L	M64×2.0	37~44	64	15	41	65/70	2

- ★ 所有规格材质可以提供不锈钢HSM-EX系列
HSM-EX (stainless steel version) are available for all sizes

HSM-EX 防爆金属电缆防水接头 EX Metal Cable Gland

- 材料: 外部金属为黄铜镀镍 内部芯套为尼龙 密封件材料为改性橡胶
- 温度: -40°C~100°C,短时达120°C
- 防护等级: 在规定的卡口范围内, 防护等级可以达到IP68
- 防爆等级: Ex eb IIC Gb Ex tb IIIC Db
防爆证书号: TUV 17ATEX 8015X IECEX TUR 17.0009X
- 性能: 通过IEC-60077-1999抗振动和抗冲击试验,通过RoHS测试

- Material: Body: nickel-plated brass Seal: Polyamide, Sealing: modified rubber
- Temperature range: Min-40 °C ,max100 C ,short-term120 C
- Protection degree: Within the clamping range, its protection degree can reach IP68.
- EX degree: Ex eb IIC Gb Ex tb IIIC Db Certificate No.:TUV 17ATEX 8015X IECEX TUR 17.0009X
- Properties: Succeed in the experiment of IEC-60077-1999 resistance to vibration and impact,passed RoHS



HSM-EX-P 德国 PG 螺纹 PG Thread

规格型号 Article no.	螺纹规格 Thread Dimension	卡口范围 Clamping Range mm	螺纹外径 AG mm	螺纹长度 GL mm	(H) mm	扳手尺寸 SW1/SW2 mm	包装单位 Packet Units
HSM-EX-P07	PG7	3~6.5	12.5	6	19	14/14	75
HSM-EX-P09-H	PG9	3~6.5	15.2	7	20	14/17	75
HSM-EX-P09	PG9	4~8	15.2	7	21	17/17	75
HSM-EX-P11	PG11	5~10	18.6	7	22.5	20/22	75
HSM-EX-P13.5-H	PG13.5	5~10	20.4	7	22.5	22/22	32
HSM-EX-P13.5	PG13.5	6~12	20.4	7	23.5	22/22	32
HSM-EX-P16-H	PG16	6~12	22.5	7	23.5	22/24	32
HSM-EX-P16	PG16	8~14	22.5	7	23	24/24	32
HSM-EX-P21-H	PG21	10~16	28.3	7	24.5	28/30	18
HSM-EX-P21	PG21	13~18	28.3	7	26	30/30	18
HSM-EX-P29-H	PG29	15~22	37	8	28	36/40	8
HSM-EX-P29	PG29	18~25	37	8	33	40/40	8
HSM-EX-P36	PG36	22~32	47	9	38.5	50/50	4
HSM-EX-P42	PG42	30~38	54	9	40	58/58	2
HSM-EX-P48	PG48	37~44	59.3	10	41	65/65	2

HSM-EX-P-L 加长型德国 PG 螺纹 Lengthened PG Thread

规格型号 Article no.	螺纹规格 Thread Dimension	卡口范围 Clamping Range mm	螺纹外径 AG mm	螺纹长度 GL mm	(H) mm	扳手尺寸 SW1/SW2 mm	包装单位 Packet Units
HSM-EX-P07-L	PG7	3~6.5	12.5	10	19	14/14	50
HSM-EX-P09-HL	PG9	3~6.5	15.2	10	20	14/17	50
HSM-EX-P09-L	PG9	4~8	15.2	10	21	17/17	50
HSM-EX-P11-L	PG11	5~10	18.6	10	22.5	20/20	50
HSM-EX-P13.5-HL	PG13.5	5~10	20.4	10	22.5	20/22	32
HSM-EX-P13.5-L	PG13.5	6~12	20.4	10	23.5	22/22	32
HSM-EX-P16-HL	PG16	6~12	22.5	10	23.5	22/24	32
HSM-EX-P16-L	PG16	8~14	22.5	10	23	24/24	32
HSM-EX-P21-HL	PG21	10~16	28.3	12	24.5	28/30	18
HSM-EX-P21-L	PG21	13~18	28.3	12	26	30/30	18
HSM-EX-P29-HL	PG29	15~22	37	12	28	36/40	8
HSM-EX-P29-L	PG29	18~25	37	12	33	40/40	8
HSM-EX-P36-L	PG36	22~32	47	15	38.5	50/50	2
HSM-EX-P42-L	PG42	30~38	54	15	40	58/58	2
HSM-EX-P48-L	PG48	37~44	59.3	15	41	65/65	2

HSM-EX 防爆不锈钢电缆防水接头 EX Cable Gland

- 材料: 外部金属为SUS 304 内部芯套为尼龙 密封件材料为改性橡胶
- 温度: -40°C~100°C,短时达120°C
- 防护等级: 在规定的卡口范围之内, 防护等级可以达到IP68
- 防爆等级: Ex eb IIC Gb Ex tb IIIC Db
防爆证书号: TUV 17ATEX 8015X IECEx TUR 17.0009X
- 性能: 通过IEC-60077-1999抗振动和抗冲击试验,通过RoHS测试



- Material: Body: SUS 304 Seal: Polyamide, Sealing: modified rubber
- Temperature range: Min-40 C ,Max100 C ,Short-term120 C
- Protection degree: Within the clamping range, its protection degree can reach IP68.
- EX degree: Ex eb IIC Gb Ex tb IIIC Db Certificate No.:TUV 17ATEX 8015X IECEx TUR 17.0009X
- Properties: Succeed in the experiment of IEC-60077-1999 resistance to vibration and impact, passed RoHS

HSM-EX-G G管螺纹 G Thread

规格型号 Article no.	螺纹规格 Thread Dimension	卡口范围 Clamping Range mm	基面螺纹外径 AG mm	螺纹长度 GL mm	(H) mm	扳手尺寸 SW1/SW2 mm	包装单位 Packet Units
HSM-EX-G3/8	G3/8"	4~8	16.66	8	21	17/20	32
HSM-EX-G1/2-H	G1/2"	5~10	20.95	8	23	20/24	32
HSM-EX-G1/2	G1/2"	6~12	20.95	8	23.5	22/24	32
HSM-EX-G1/2-D	G1/2"	8~14	20.95	8	23.5	24/24	32
HSM-EX-G3/4-TH	G3/4"	6~12	26.44	8	23.5	22/30	18
HSM-EX-G3/4-H	G3/4"	8~14	26.44	8	23.5	24/30	18
HSM-EX-G3/4	G3/4"	13~18	26.44	8	26	30/30	18
HSM-EX-G1	G1"	18~25	33.24	9	33	40/38	8
HSM-EX-G1 1/4	G1 1/4"	22~32	41.91	10	38.5	50/50	4
HSM-EX-G1 1/2	G1 1/2"	30~38	47.80	10	40	58/55	2
HSM-EX-G2	G2"	37~44	59.61	11	41	65/65	2

HSM-EX-N NPT 制锥管螺纹 NPT Thread

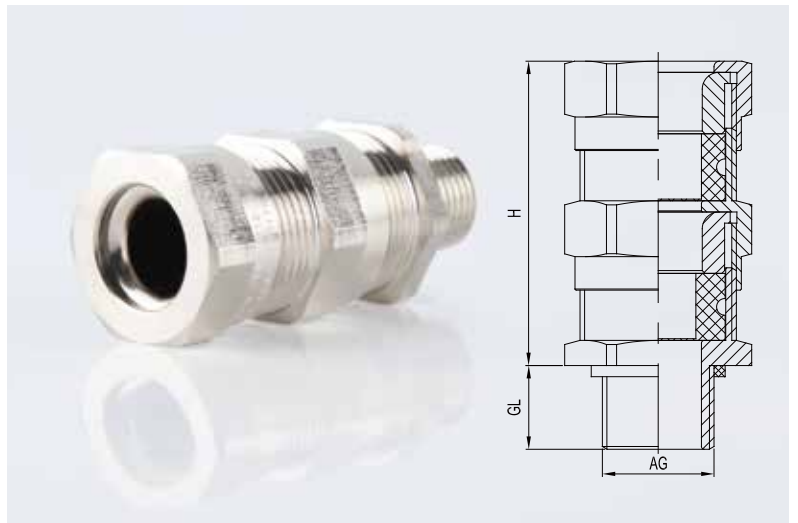
规格型号 Article no.	螺纹规格 Thread Dimension	卡口范围 Clamping Range mm	螺纹外径 AG mm	螺纹长度 GL mm	(H) mm	扳手尺寸 SW1/SW2 mm	包装单位 Packet Units
HSM-EX-N3/8	NPT3/8"	4~8	16.65	13	21	17/20	32
HSM-EX-N1/2-H	NPT1/2"	5~10	20.85	13	22.5	20/23	32
HSM-EX-N1/2	NPT1/2"	6~12	20.85	13	23.5	22/23	32
HSM-EX-N1/2-D	NPT1/2"	8~14	20.85	13	23.5	24/24	32
HSM-EX-N3/4-TH	NPT3/4"	6~12	26.30	13	23.5	22/30	18
HSM-EX-N3/4-H	NPT3/4"	8~14	26.30	13	23.5	24/30	18
HSM-EX-N3/4	NPT3/4"	13~18	26.30	13	26	30/30	18
HSM-EX-N1	NPT1"	18~25	33.15	16	33	40/38	8
HSM-EX-N1 1/4	NPT1 1/4"	22~32	41.85	16	38.5	50/50	4
HSM-EX-N1 1/2	NPT1 1/2"	30~38	47.75	18	40	58/55	2
HSM-EX-N2	NPT2"	37~44	59.55	18	41	65/65	2

★ 所有规格材质可以提供不锈钢HSMS-EX系列
HSMS-EX (stainless steel version) are available for all sizes

HSM-EX1 隔爆型金属电缆防水接头 Flameproof Metal Cable Gland

- 材料: 外部金属为黄铜镀镍, 密封件材料为硅橡胶
- 温度: -40°C~130°C
- 防护等级: 在规定的卡口范围之内, 防护等级可以达到IP68
- 防爆等级: Ex db IIC Gb Ex tb IIIC Db
- 隔爆证书号: TUV 17 ATEX 8013X IECEx TUR 17.0007X
- 性能: 通过RoHS测试
- 应用场合: 用于爆炸危险的场所, 防爆电气设备连接, 化工、石油、电力、轻工、机械等各个部门, 特别适用于自动化工程线路安装

- Material: Body: nicked-plated brass; Sealing:Silicone rubber
- Temperature range: Min -40 C ,max 130 C
- Protection degree: Within the clamping range, its protection degree can reach IP68.
- Ex degree: Ex db IIC Gb Ex tb IIIC Db Certificate No:TUV 17 ATEX 8013X IECEx TUR 17.0007X
- Properties: RoHS
- Application: For hazardous area, connection for explosion-proof electric equipments, chemical industry,petroleum, electricity,light industry,machinery etc, especially for installation for automation engineering circuit



HSM-EX1-M 公制螺纹 Metric Thread

规格型号 Article no.	螺纹规格 Thread Dimension	卡口范围 Clamping Range mm	螺纹外径 AG mm	螺纹长度 GL mm	(H) mm	扳手尺寸 SW1/SW2 mm	包装单位 Packet Units
HSM-EX1-M16	M16×1.5	6~12	16	15	48	26	9
HSM-EX1-M20	M20×1.5	10~15	20	15	54.5	30	9
HSM-EX1-M25	M25×1.5	14~18	25	15	54.5	34	9
HSM-EX1-M30	M30×2.0	17~23	30	20	58	45	4
HSM-EX1-M32	M32×1.5	22~27	32	15	58	50	4
HSM-EX1-M40	M40×1.5	26~33	40	15	58	55	4
HSM-EX1-M50	M50×1.5	32~41	50	15	67	65	1
HSM-EX1-M56	M56×2.0	40~49	56	20	67	75	1
HSM-EX1-M63	M63×1.5	48~57	63	20	68	80	1

HSM-EX1-60°NPT锥螺纹 NPT Thread

规格型号 Article no.	螺纹规格 Thread Dimension	卡口范围 Clamping Range mm	螺纹外径 AG mm	螺纹长度 GL mm	(H) mm	扳手尺寸 SW1/SW2 mm	包装单位 Packet Units
HSM-EX1-N3/8	NPT3/8	6~12	17.055	16	48	26	9
HSM-EX1-N1/2	NPT1/2	10~15	21.223	20	54.5	30	9
HSM-EX1-N3/4	NPT3/4	14~18	26.568	21	54.5	34	9
HSM-EX1-N1	NPT1	22~27	33.228	26	58	50	4
HSM-EX1-N1 1/4	NPT1 1/4	26~33	41.988	26	58	55	4
HSM-EX1-N1 1/2	NPT1 1/2	32~41	48.054	27	67	65	1
HSM-EX1-N2	NPT2	40~49	60.092	27	67	75	1

★ 所有规格材质可以提供不锈钢HSM-EX1系列
HSM-EX1 (stainless steel version) are available for all sizes

HSM-EX2 铠装隔爆型金属电缆防水接头

Flameproof Metal Cable Gland for Armoured Cable

- 材料: 外部金属为黄铜镀镍, 密封件材料为硅橡胶
- 防护等级: 在规定的卡口范围之内, 防护等级可以达到IP68
- 温度: -40°C~130°C
- 防爆等级: Ex db IIC Gb Ex tb IIIC Db
隔爆证书号: TUV 17 ATEX 8014X IECEx TUR 17.0008X
- 性能: 通过RoHS测试
- 应用场合: 用于爆炸危险的场所, 防爆电气设备连接, 化工、石油、电力、轻工、机械等各个部门, 特别适用于自动化工程线路安装

- Material: Body: nicked-plated brass; Sealing: Silicone rubber
- Temperature range: Min -40 C ,max 130 C
- Protection degree: Within the clamping range, its protection degree can reach IP68
- Ex degree: Ex db IIC Gb Ex tb IIIC Db Certificate No: TUV 17 ATEX 8014X IECEx TUR 17.0008X
- Properties: RoHS
- Application: For hazardous area, connection for explosion-proof electric equipments, chemical industry, petroleum, electricity, light industry, machinery etc, especially for installation for automation engineering circuit



HSM-EX2-M 公制螺纹 Metric Thread

规格型号 Article no.	螺纹规格 Thread Dimension	卡口范围 Clamping Range1 mm	卡口范围 Clamping Range2 mm	螺纹外径 AG mm	螺纹长度 GL mm	(H) mm	扳手尺寸 SW1/SW2 mm	包装单位 Packet Units
HSM-EX2-M16	M16×1.5	6~12	4~10	16	15	61	26	9
HSM-EX2-M20	M20×1.5	10~15	8~13	20	15	67.5	30	9
HSM-EX2-M25	M25×1.5	14~18	12~16	25	15	67.5	34	9
HSM-EX2-M30	M30×2.0	17~23	15~21	30	20	71	45	4
HSM-EX2-M32	M32×1.5	22~27	20~25	32	15	71	50	4
HSM-EX2-M40	M40×1.5	26~33	24~31	40	15	71	55	4
HSM-EX2-M50	M50×1.5	32~41	27~35	50	15	80	65	1
HSM-EX2-M56	M56×2.0	40~49	35~43	56	20	80	75	1
HSM-EX2-M63	M63×1.5	48~57	42~50	63	20	81	80	1

HSM-EX2-60°NPT锥螺纹 NPT Thread

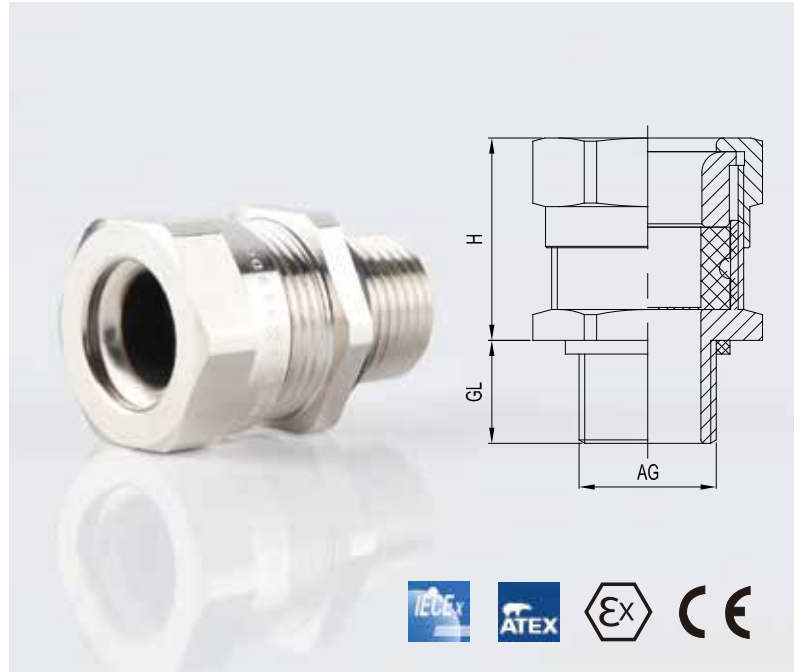
规格型号 Article no.	螺纹规格 Thread Dimension	卡口范围 Clamping Range1 mm	卡口范围 Clamping Range2 mm	螺纹外径 AG mm	螺纹长度 GL mm	(H) mm	扳手尺寸 SW1/SW2 mm	包装单位 Packet Units
HSM-EX2-N3/8	NPT3/8	6~12	4~10	17.055	15	67	26	9
HSM-EX2-N1/2	NPT1/2	10~15	8~13	21.223	15	67.5	30	9
HSM-EX2-N3/4	NPT3/4	14~18	12~16	26.568	15	67.5	34	9
HSM-EX2-N1	NPT1	22~27	20~25	33.228	20	71	50	4
HSM-EX2-N1 1/4	NPT1 1/4	26~33	24~31	41.988	20	71	55/52	4
HSM-EX2-N1 1/2	NPT1 1/2	32~41	27~35	48.054	20	80	65	1
HSM-EX2-N2	NPT2	40~49	35~43	60.092	20	80	75/70	1

★ 所有规格材质可以提供不锈钢HSM-EX2系列
HSM-EX2 (stainless steel version) are available for all sizes

HSM-EX3 单密封隔爆型金属电缆防水接头 Flameproof Metal Cable Gland with Single Seal

- 材料: 外部金属为黄铜镀镍, 密封件材料为硅橡胶
- 温度: -40°C~130°C
- 防护等级: 在规定的卡口范围之内, 防护等级可以达到IP68
- 防爆等级: Ex db IIC Gb Ex tb IIIC Db
隔爆证书号: TUV 17 ATEX 8013X IECEx TUR 17.0007X
- 性能: 通过RoHS测试
- 应用场合: 用于爆炸危险的场所, 防爆电气设备连接, 化工、石油、电力、轻工、机械等各个部门, 特别适用于自动化工程线路安装

- Material: Body: nicked-plated brass; Sealing:Silicone rubber
- Temperature range: Min -40 C ,max 130 C
- Protection degree: Within the clamping range, its protection degree can reach IP68
- Ex db IIC Gb Ex tb IIIC Db Certificate No:TUV 17 ATEX 8013X IECEx TUR 17.0007X
- Properties: RoHS
- Application: For hazardous area, connection for explosion-proof electric equipments, chemical industry, petroleum, electricity, light industry,machinery etc, especially for installation for automation engineering circuit



HSM-EX3-M 公制螺纹 Metric Thread

规格型号 Article no.	螺纹规格 Thread Dimension	卡口范围 Clamping Range mm	螺纹外径 AG mm	螺纹长度 GL mm	(H) mm	扳手尺寸 SW1/SW2 mm	包装单位 Packet Units
HSM-EX3-M16	M16×1.5	6~12	16	15	29	26	18
HSM-EX3-M20	M20×1.5	10~15	20	15	29.5	30	18
HSM-EX3-M25	M25×1.5	14~18	25	15	29.5	34	18
HSM-EX3-M30	M30×2.0	17~23	30	20	32	45	4
HSM-EX3-M32	M32×1.5	22~27	32	15	32	50	4
HSM-EX3-M40	M40×1.5	26~33	40	15	32	55	4
HSM-EX3-M50	M50×1.5	32~41	50	15	37	65	2
HSM-EX3-M56	M56×2.0	32~39	56	20	37	75	2
HSM-EX3-M63	M63×1.5	48~57	63	20	38	80	2

HSM-EX3-60°NPT锥螺纹 NPT Thread

规格型号 Article no.	螺纹规格 Thread Dimension	卡口范围 Clamping Range mm	螺纹外径 AG mm	螺纹长度 GL mm	(H) mm	扳手尺寸 SW1/SW2 mm	包装单位 Packet Units
HSM-EX3-N3/8	NPT3/8	6~12	17.055	15	29	26	18
HSM-EX3-N1/2	NPT1/2	10~15	21.223	15	29.5	30	18
HSM-EX3-N3/4	NPT3/4	14~18	26.568	15	29.5	34	18
HSM-EX3-N1	NPT1	22~25	33.228	20	32	50~46	4
HSM-EX3-N1 1/4	NPT1 1/4	26~33	41.988	20	32	55	4
HSM-EX3-N1 1/2	NPT1 1/2	32~39	48.054	20	37	65	2
HSM-EX3-N2	NPT2	40~49	60.092	20	37	75	2

★ 所有规格材质可以提供不锈钢HSMS-EX3系列
HSMS-EX3 (stainless steel version) are available for all sizes

HSM-EX4 单密封铠装隔爆型金属电缆接头

Flameproof Metal Cable Gland For Armoured Cable with Single Seal

- 材料: 外部金属为黄铜镀镍, 密封件材料为硅橡胶
- 温度: -40°C~130°C
- 防爆等级: Ex db IIC Gb Ex tb IIIC Db
隔爆证书号: TUV 17 ATEX 8014X IECEx TUR 17.0008X
- 性能: 通过RoHS测试
- 应用场合: 用于爆炸危险的场所, 防爆电气设备连接, 化工、石油、电力、轻工、机械等各个部门, 特别适用于自动化工程线路安装



- Material: Body: nicked-plated brass; Sealing: Silicone rubber
- Temperature range: Min -40 °C, Max 130 °C
- Ex degree: Ex db IIC Gb Ex tb IIIC Db Certificate No: TUV 17 ATEX 8014X IECEx TUR 17.0008X
- Properties: RoHS
- Application: For hazardous area, connection for explosion-proof electric equipments, chemical industry, petroleum, electricity, light industry, machinery etc, especially for installation for automation engineering circuit

HSM-EX4-M 公制螺纹 Metric Thread

规格型号 Article no.	螺纹规格 Thread Dimension	卡口范围 Clamping Range mm	螺纹外径 AG mm	螺纹长度 GL mm	(H) mm	扳手尺寸 SW1/SW2 mm	包装单位 Packet Units
HSM-EX4-M16	M16 × 1.5	6~12	16	15	40	27/26	9
HSM-EX4-M20	M20 × 1.5	10~15	20	15	42.5	30	9
HSM-EX4-M25	M25 × 1.5	14~18	25	15	42.5	36/34	9
HSM-EX4-M30	M30 × 2.0	17~23	30	20	44	45/42	4
HSM-EX4-M32	M32 × 1.5	22~27	32	15	44	50 /46	4
HSM-EX4-M40	M40 × 1.5	26~33	40	15	44	55/50	4
HSM-EX4-M50	M50 × 1.5	32~41	50	15	49	65	1
HSM-EX4-M56	M56 × 2.0	40~49	56	20	49	75/70	1
HSM-EX4-M63	M63 × 1.5	48~57	63	20	50	80	1

HSM-EX4-60° NPT 锥螺纹 NPT Thread

规格型号 Article no.	螺纹规格 Thread Dimension	卡口范围 Clamping Range mm	螺纹外径 AG mm	螺纹长度 GL mm	(H) mm	扳手尺寸 SW1/SW2 mm	包装单位 Packet Units
HSM-EX4-N3/8	NPT3/8	6~12	17.055	16	40	27/26	9
HSM-EX4-N1/2	NPT1/2	10~15	21.223	20	42.5	30	9
HSM-EX4-N3/4	NPT3/4	14~18	26.568	21	42.5	36/34	9
HSM-EX4-N1	NPT1	22~27	33.228	26	44	50/46	4
HSM-EX4-N1 1/4	NPT1 1/4	26~33	41.988	26	44	55/52	4
HSM-EX4-N1 1/2	NPT1 1/2	32~41	48.054	27	49	65	1
HSM-EX4-N2	NPT2	40~49	60.092	27	49	75	1

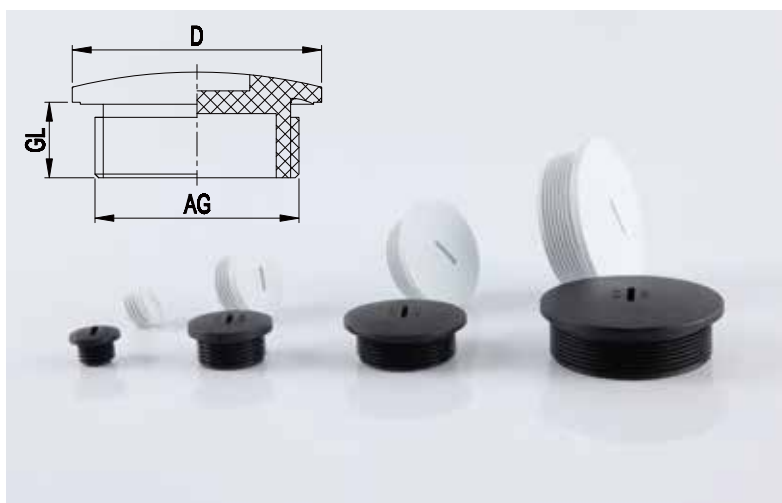
- ★ 所有规格材质可以提供不锈钢HSMS-EX4系列
HSMS-EX4 (stainless steel version) are available for all sizes

DPK 尼龙闷盖 Polyamide Plug

- 材料: 尼龙
- 颜色: 灰白色(RAL 7035), 黑色(RAL 9005)
- 温度: -40°C~100°C
- 防护等级: IP56 当使用合适密封圈(O-ring/FR), 防护等级可以达到IP68
- 性能: 不含卤素、磷、铜等,通过 RoHS测试

- Material: Polyamide
- Color: Grey white (RAL 7035), Black (RAL 9005)
- Temperature range: Min -40°C, max 100°C
- Protection degree: IP56 When used together with O-sealings, its protection degree can reach IP68
- Properties: Free of halogen, phosphor and cadmium, passed RoHS

★ 订货编号: #=B(黑色)、G(灰白色)
Order number: #=B(Black)、G(Grey white)



DPK-M 公制螺纹 Metric Thread

规格型号 Article no.	螺纹规格 Thread Dimension	螺纹外径 AG mm	闷盖外径 D mm	螺纹长度 GL mm	包装数量 Packet Units
DPK-M12 #	M12×1.5	12	16	8	100
DPK-M16 #	M16×1.5	16	20	8	100
DPK-M18 #	M18×1.5	18	23	8	100
DPK-M20 #	M20×1.5	20	25	9	100
DPK-M22 #	M22×1.5	22	27	10	100
DPK-M24 #	M24×1.5	24	29	10	50
DPK-M25 #	M25×1.5	25	30	11	50
DPK-M27 #	M27×2.0	27	33	11	50
DPK-M30 #	M30×2.0	30	35	11	50
DPK-M32 #	M32×1.5	32	39	11	50
DPK-M36 #	M36×2.0	36	44	11	25
DPK-M40 #	M40×1.5	40	46	13	10
DPK-M48 #	M48×2.0	48	55	13	10
DPK-M50 #	M50×1.5	50	56.5	15	10
DPK-M63 #	M63×1.5	63	70	15	5

DPK-P PG 螺纹 PG Thread

规格型号 Article no.	螺纹规格 Thread Dimension	螺纹外径 AG mm	闷盖外径 D mm	螺纹长度 GL mm	包装数量 Packet Units
DPK -P07 #	PG7	12.5	16	8	100
DPK -P09 #	PG9	15.2	19	8	100
DPK -P11 #	PG11	18.6	23	8	100
DPK -P13.5 #	PG13.5	20.4	25	9	100
DPK -P16 #	PG16	22.5	27	10	50
DPK -P21 #	PG21	28.3	33	11	50
DPK -P29 #	PG29	37	44	11	25
DPK -P36 #	PG36	47	55	13	10
DPK -P42 #	PG42	54	62	15	10
DPK -P48 #	PG48	59.3	69.5	15	5

DPM 六角形金属闷盖 Hexagon Metal Plug

- 材料: 黄铜镀镍, 密封件为改性橡胶
- 防护等级: IP68
- 性能: 通过RoHS测试

- Material: Nickel-plated brass, sealing: modified rubber
- Protection degree: IP68
- Properties: Passed RoHS



DPM-M M 螺纹 Metric Thread

规格型号 Article no.	规格螺纹 Thread Dimension	螺纹外径 AG mm	扳手尺寸 Wrench Size mm	螺纹长度 GL mm	总长度 H mm	包装单位 Packet Units
DPM-M10	M10×1.0	10	12	6	9	50
DPM-M12	M12×1.5	12	14	6	9	50
DPM-M16	M16×1.5	16	18	7	10	50
DPM-M18	M18×1.5	18	20	7	10.5	50
DPM-M20	M20×1.5	20	22	7	10.5	32
DPM-M22	M22×1.5	22	24	7	10.5	32
DPM-M24	M24×1.5	24	27	7	10.5	18
DPM-M25	M25×1.5	25	28	7	10.5	18
DPM-M27	M27×2.0	27	30	8	12	18
DPM-M30	M30×2.0	30	34	8	12	18
DPM-M32	M32×1.5	32	36	8	12	18
DPM-M33	M33×2.0	33	36	8	12	18
DPM-M36	M36×2.0	36	40	8	12	8
DPM-M40	M40×1.5	40	45	9	14	8
DPM-M48	M48×2.0	48	52	9	14	8
DPM-M50	M50×1.5	50	55	9	14	8
DPM-M56	M56×2.0	56	60	9	15	4
DPM-M63	M63×1.5	63	70	10	16	6
DPM-M64	M64×2.0	64	70	10	16	6

DPM-P 螺纹 PG Thread

规格型号 Article no.	规格螺纹 Thread Dimension	螺纹外径 AG mm	扳手尺寸 Wrench Size mm	螺纹长度 GL mm	总长度 H mm	包装单位 Packet Units
DPM-P07	PG7	12.5	15	6	9	50
DPM-P11	PG11	18.6	21	7	10.5	32
DPM-P09	PG9	15.2	18	7	10	50
DPM-P13.5	PG13.5	20.4	23	7	10.5	32
DPM-P16	PG16	22.5	26	7	10.5	18
DPM-P21	PG21	28.3	32	7	11	18
DPM-P29	PG29	37	40	8	12	8
DPM-P36	PG36	47	50	9	14	8
DPM-P42	PG42	54	58	9	14	4
DPM-P48	PG48	59.3	65	10	16	6

★ 所有规格材质可以提供不锈钢DPMS系列
DPMS (stainless steel version) are available for all sizes

DPM 六角形金属闷盖 Hexagon Metal Plug

- 材料: 黄铜镀镍, 密封件为改性橡胶
- 防护等级: IP68
- 性能: 通过RoHS测试

- Material: Nickel-plated brass, sealing: modified rubber
- Protection degree: IP68
- Properties: Passed RoHS



DPM-G 管螺纹 G Thread

规格型号 Article no.	规格螺纹 Thread Dimension	螺纹外径 AG mm	螺纹长度 GL mm	扳手尺寸 Wrench Size mm	总长度 H mm	包装单位 Packet Units
DPM-G3/8	G3/8"	16.66	8	20	11.5	50
DPM-G1/2	G1/2"	20.99	8	24	11.5	32
DPM-G3/4	G3/4"	26.44	8	30	12	18
DPM-G1	G1"	33.24	9	38	13	8
DPM-G1 1/4	G1 1/4"	41.91	10	50	15	8
DPM-G1 1/2	G1 1/2"	47.8	10	52	15	8
DPM-G2	G2"	59.61	11	65	17	6
DPM-G2 1/2	G2 1/2"	75.18	11	80	17	6
DPM-G3	G3"	87.88	11	95	18.5	2

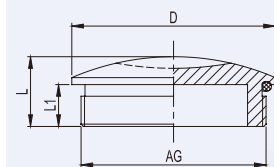
DPM-N 锥管螺纹 N Thread

规格型号 Article no.	规格螺纹 Thread Dimension	螺纹外径 AG mm	螺纹长度 GL mm	扳手尺寸 Wrench Size mm	总长度 H mm	包装单位 Packet Units
DPM-N3/8	N3/8"	16.65	11	20	14.5	50
DPM-N1/2	N1/2"	20.85	13	23	16.5	32
DPM-N3/4	N3/4"	26.30	13	30	17	18
DPM-N1	N1"	33.15	16	38	20	8
DPM-N1 1/4	N1 1/4"	41.85	16	50	21	8
DPM-N1 1/2	N1 1/2"	47.75	18	52	23	8
DPM-N2	N2"	59.55	18	65	24	4
DPM-N2 1/2	N2 1/2"	72.30	22	75	28	4
DPM-N3	N3"	87.95	22	95	28	2

★ 所有规格材质可以提供不锈钢DPMS系列
DPMS (stainless steel version) are available for all sizes

DPM.C 圆形金属闷盖 Circular Metal Plug

- 材料: 黄铜镀镍, 密封件为改性橡胶
- 防护等级: IP68
- 性能: 通过RoHS测试



- Material: Nickel-plated brass, sealing: modified rubber
- Protection degree: IP68
- Properties: Passed RoHS

DPM.C-P 圆形金属闷盖 PG 制螺纹 PG Thread

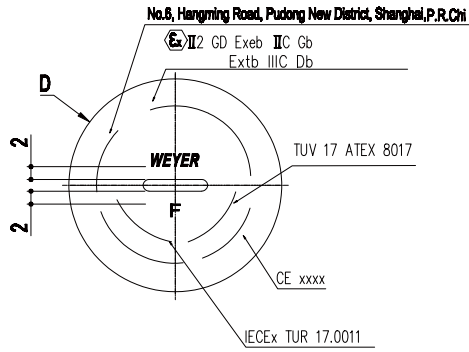
规格型号 Article no.	螺纹规格 Thread	螺纹外径 AG mm	螺纹长度L1 Thread Length mm	总长度L Total Length mm	头部直径D(Φ) Head Dia. mm	包装单位 Packet Units
DPM.C-P07	PG7	12.5	6	9	15	50
DPM.C-P09	PG9	15.2	7	10	18	50
DPM.C-P11	PG11	18.6	7	10	21	50
DPM.C-P13.5	PG13.5	20.4	7	10	23	32
DPM.C-P16	PG16	22.5	7	10	25	32
DPM.C-P21	PG21	28.3	7	11	32	18
DPM.C-P29	PG29	37	8	12	40	8
DPM.C-P36	PG36	47	9	15	50	8
DPM.C-P42	PG42	54	9	15	59	8
DPM.C-P48	PG48	59.3	10	16	64	4

DPM.C-M 圆形金属闷盖-公制螺纹 Metric Thread

规格型号 Article no.	螺纹规格 Thread	螺纹外径 AG mm	螺纹长度L1 Thread Length mm	总长度L Total Length mm	头部直径D(Φ) Head Dia. mm	包装单位 Packet Units
DPM.C-M10	M10×1.0	10	6	9	12	50
DPM.C-M12	M12×1.5	12	6	9	14	50
DPM.C-M16	M16×1.5	16	7	10	18	50
DPM.C-M18	M18×1.5	18	7	10	21	50
DPM.C-M20	M20×1.5	20	7	10	23	32
DPM.C-M22	M22×1.5	22	7	10	25	32
DPM.C-M24	M24×1.5	24	7	10	27	32
DPM.C-M25	M25×1.5	25	7	10	28	18
DPM.C-M27	M27×2.0	27	8	12	30	18
DPM.C-M30	M30×2.0	30	8	12	33	18
DPM.C-M32	M32×1.5	32	8	12	35	18
DPM.C-M33	M33×2.0	33	8	12	36	18
DPM.C-M36	M36×2.0	36	8	12	39	18
DPM.C-M40	M40×1.5	40	9	15	44	8
DPM.C-M42	M42×2.0	42	9	15	46	8
DPM.C-M48	M48×2.0	48	9	15	52	8
DPM.C-M50	M50×1.5	50	9	15	55	8
DPM.C-M56	M56×2.0	56	9	15	60	4
DPM.C-M63	M63×1.5	63	10	16	68	4
DPM.C-M64	M64×2.0	64	10	16	69	4

- ★ 所有规格材质可以提供不锈钢DPMS.C系列
DPMS.C (stainless steel version) are available for all sizes

DPK-EX 防爆尼龙闷盖 Explosion-Proof Nylon Plug



- 材料: 尼龙
- 颜色: 灰白色(RAL 7035), 黑色(RAL 9005)
- 温度: -40°C~100°C
- 性能: 不含卤素、磷、镉等,通过 RoHS测试
- 防爆等级: Ex II2 G Exeb IIC Gb II2 D Extb IIC Db IP66/IP68
- 防爆证书号:TUV 17 ATEX 8017 IECEX TUR 17.0011

- Material: Polyamide
- Color: Grey white (RAL 7035), black (RAL 9005)
- Temperature range: Min -40 °C, max 100 °C
- Properties: Free of halogen, phosphor and cadmium, passed RoHS
- Explosion Class: Ex II2 G Exeb IIC Gb II2 D Extb IIC Db IP66/68
- Explosion proof number: TUV17 ATEX8017 IECEX TUR17.0011

★ 订货编号: #=B(黑色)、G(灰白色)
Order number: #=B(Black)、G(Grey white)

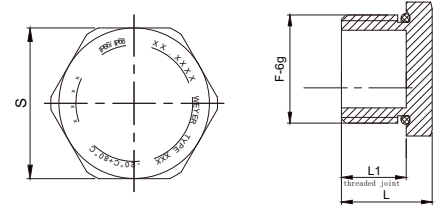
DPK-EX-M 公制螺纹 Metric Thread

规格型号 Article no.	螺纹规格 Thread Dimension	螺纹外径 AG mm	闷盖外径 D mm	螺纹长度 GL mm	包装数量 Packet Units
DPK-EX-M12 #	M12×1.5	12	16	8	100
DPK-EX-M16 #	M16×1.5	16	20	8	100
DPK-EX-M18 #	M18×1.5	18	23	8	100
DPK-EX-M20 #	M20×1.5	20	25	9	100
DPK-EX-M22 #	M22×1.5	22	27	10	100
DPK-EX-M24 #	M24×1.5	24	29	10	50
DPK-EX-M25 #	M25×1.5	25	30	11	50
DPK-EX-M27 #	M27×2.0	27	33	11	50
DPK-EX-M30 #	M30×2.0	30	35	11	50
DPK-EX-M32 #	M32×1.5	32	39	11	25
DPK-EX-M36 #	M36×2.0	36	44	11	25
DPK-EX-M40 #	M40×1.5	40	46	13	10
DPK-EX-M48 #	M48×2.0	48	55	13	10
DPK-EX-M50 #	M50×1.5	50	56.5	15	10
DPK-EX-M63 #	M63×1.5	63	70	15	5

DPK-EX-P 公制螺纹 Metric Thread

规格型号 Article no.	螺纹规格 Thread Dimension	螺纹外径 AG mm	闷盖外径 D mm	螺纹长度 GL mm	包装数量 Packet Units
DPK -EX-P07 #	PG7	12.5	16	8	100
DPK -EX-P09 #	PG9	15.2	19	8	100
DPK -EX-P11 #	PG11	18.6	23	8	100
DPK -EX-P13.5 #	PG13.5	20.4	25	9	100
DPK -EX-P16 #	PG16	22.5	27	10	50
DPK -EX-P21 #	PG21	28.3	33	11	50
DPK -EX-P29 #	PG29	37	44	11	25
DPK -EX-P36 #	PG36	47	55	13	10
DPK -EX-P42 #	PG42	54	62	15	10
DPK -EX-P48 #	PG48	59.3	69.5	15	5

DPM-EX-M 防爆六角金属闷盖 Explosion-Proof Hexagon Metal Plug



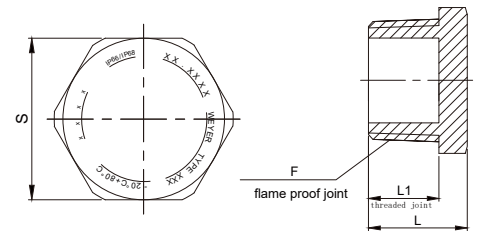
- 材料: 黄铜镀镍
- 温度: -40°C~100°C
- 防爆等级: Ⓜ II2 GD Exeb IIC Gb Extb IIIC Db IP66/68
- 防爆证书号: TUV 17 ATEX 8017 IECEx TUR 17.0011
- 性能: 通过RoHS测试

- Material: Nickel-plated brass
- Temperature range: Min -40 °C, max 100 °C
- Explosion Class: Ⓜ II2 GD Exeb IIC Gb Extb IIIC Db IP66/68
- Explosion proof number: TUV 17 ATEX 8017 IECEx TUR 17.0011
- Properties: Passed RoHS

- ★ 所有规格材质可以提供不锈钢DPMS-EX-M系列
Material can provide stainless steel DPMS-EX-M series for all specifications

规格型号 Article no.	外螺纹F Outer Thread mm	扳手尺寸S Wrench Size mm	总长L Total Length mm	外螺纹长L1 Thread Length mm
DPM-EX-M10	M10×1.0	12	9	6
DPM-EX-M12	M12×1.5	14	9	6
DPM-EX-M16	M16×1.5	18	10	7
DPM-EX-M18	M18×1.5	20	10.5	7
DPM-EX-M20	M20×1.5	22	10.5	7
DPM-EX-M22	M22×1.5	24	10.5	7
DPM-EX-M24	M24×1.5	27	10.5	7
DPM-EX-M25	M25×1.5	28	10.5	7
DPM-EX-M27	M27×2.0	30	12	8
DPM-EX-M30	M30×2.0	34	12	8
DPM-EX-M32	M32×1.5	36	12	8
DPM-EX-M33	M33×2.0	36	12	8
DPM-EX-M36	M36×2.0	40	12	8
DPM-EX-M40	M40×1.5	45	14	9
DPM-EX-M48	M48×2.0	52	14	9
DPM-EX-M50	M50×1.5	55	14	9
DPM-EX-M56	M56×2.0	60	15	9
DPM-EX-M60	M60×2.0	65	16	10
DPM-EX-M63	M63×1.5	70	16	10
DPM-EX-M64	M64×2.0	70	16	10

DPM-EX-N 防爆六角金属闷盖 Explosion-Proof Hexagon Metal



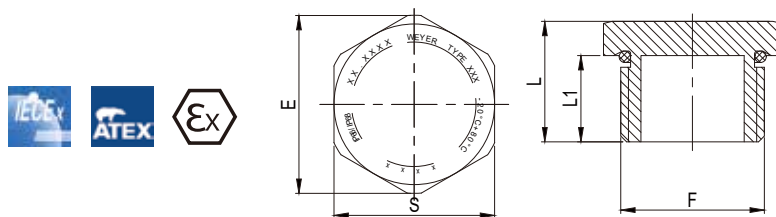
- 材料: 黄铜镀镍
- 温度: -40°C~100°C
- 防爆等级: Ⓜ II2 GD Exeb IIC Gb Extb IIIC Db
- 防爆证书号: TUV 17 ATEX 8017 IECEx TUR 17.0011
- 性能: 通过RoHS测试

- Material: Nickel-plated brass
- Temperature range: Min -40 °C, max 100 °C
- Explosion Class: Ⓜ II2 GD Exeb IIC Gb Extb IIIC Db
- Explosion proof number: TUV 17 ATEX 8017 IECEx TUR 17.0011
- Properties: Passed RoHS

规格型号 Article no.	外螺纹F Outer Thread mm	扳手尺寸S Wrench Size mm	总长L Total Length mm	外螺纹长L1 Thread Length mm
DPM-EX-N3/8	NPT3/8"	20	15.5	12
DPM-EX-N1/2	NPT1/2"	23	18.5	15
DPM-EX-N3/4	NPT3/4"	30	19	15
DPM-EX-N1	NPT1"	38	23	19
DPM-EX-N11/4	NPT11/4"	50	24	19
DPM-EX-N11/2	NPT11/2"	52	25	20
DPM-EX-N2	NPT2"	65	27	21
DPM-EX-N21/2	NPT21/2"	75	36	30

- ★ 所有规格材质可以提供不锈钢DPMS-EX-N系列
DPMS-EX-N (stainless steel version) are available for all sizes

DPM-EX-G 防爆六角金属闷盖 Explosion-Proof Hexagon Metal Plug



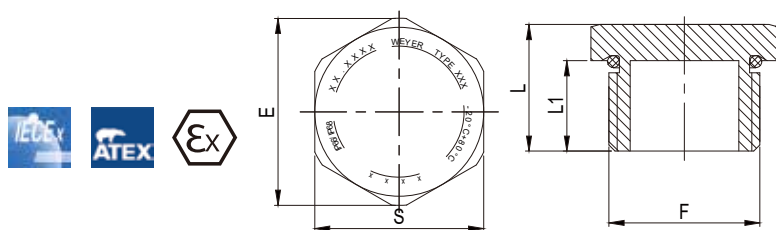
- 材料: 黄铜镀镍
- 温度: -40°C~100°C
- 防爆等级: Ⓢ II2 GD Exeb IIC Gb Extb IIIC Db IP66/68
- 防爆证书号: TUV 17 ATEX 8017 IECEx TUR 17.0011
- 性能: 通过RoHS测试

- Material: Nickel-plated brass
- Temperature range: Min -40 C, max 100 C
- Explosion Class: Ⓢ II2 GD Exeb IIC Gb Extb IIIC Db IP66/68
- Explosion proof number: TUV 17 ATEX 8017 IECEx TUR 17.0011
- Properties: Passed RoHS

★ 所有规格材质可以提供不锈钢DPMS-EX-G系列
DPMS-EX-G (stainless steel version) are available for all sizes

规格型号 Article no.	外螺纹F Outer Thread mm	扳手尺寸S Wrench Size mm	总长L Total Length mm	外螺纹长L1 Thread Length mm
DPM-EX-G3/8	G3/8	20	1Φ1.5	8
DPM-EX-G1/2	G1/2	24	1Φ1.5	8
DPM-EX-G3/4	G3/4	30	12	8
DPM-EX-G1	G1	38	13	9
DPM-EX-G11/4	G11/4	50	15	10
DPM-EX-G11/2	G11/2	52	15	10
DPM-EX-G2	G2	65	17	11
DPM-EX-G21/2	G21/2	80	17	11

DPM-EX-P 防爆六角金属闷盖 Explosion-Proof Hexagon Metal



- 材料: 黄铜镀镍
- 温度: -40°C~100°C
- 防爆等级: Ⓢ II2 GD Exeb IIC Gb Extb IIIC Db
- 防爆证书号: TUV 17 ATEX 8017 IECEx TUR 17.0011
- 性能: 通过RoHS测试

- Material: Nickel-plated brass
- Temperature range: Min -40 C, max 100 C
- Explosion Class: Ⓢ II2 GD Exeb IIC Gb Extb IIIC Db
- Explosion proof number: TUV 17 ATEX 8017 IECEx TUR 17.0011
- Properties: Passed RoHS

规格型号 Article no.	外螺纹F Outer Thread mm	扳手尺寸S Wrench Size mm	总长L Total Length mm	外螺纹长L1 Thread Length mm
DPM-EX-P07	PG7	15	9	6
DPM-EX-P09	PG9	18	10	7
DPM-EX-P11	PG11	21	10.5	7
DPM-EX-P13.5	PG13.5	23	10.5	7
DPM-EX-P16	PG16	26	10.5	7
DPM-EX-P21	PG21	32	11	7
DPM-EX-P29	PG29	40	12	8
DPM-EX-P36	PG36	50	14	9
DPM-EX-P42	PG42	58	14	9
DPM-EX-P48	PG48	65	16	10

★ 所有规格材质可以提供不锈钢DPMS-EX-P系列
DPMS-EX-P (stainless steel version) are available for all sizes

DPM.C-EX-M 防爆圆形金属闷盖 Explosion-Proof Circular Metal

- 材料: 黄铜镀镍
- 温度: -40°C~100°C
- 防爆等级: Ex II2 GD Exeb IIC Gb Extb IIIC Db IP66/68
- 防爆证书号: TUV 17 ATEX 8017 IECEx TUR 17.0011
- 性能: 通过RoHS测试

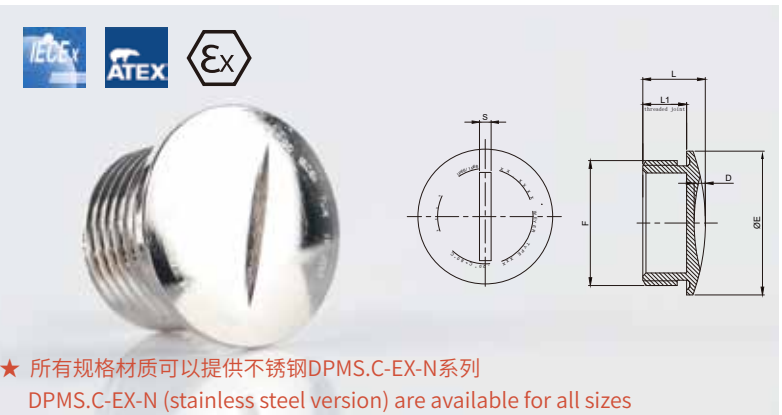


- Material: Nickel-plated brass
- Temperature range: Min -40°C, max 100°C
- Explosion Class: Ex II2 GD Exeb IIC Gb Extb IIIC Db IP66/68
- Explosion proof number: TUV 17 ATEX 8017 IECEx TUR 17.0011
- Properties: Passed RoHS

规格型号 Article no.	外螺纹F Outer Thread mm	扳手尺寸S Wrench Size mm	最大外径E Maximum Outer mm	总长度L Total Length mm	螺纹长度L1 Thread Length mm	一字槽深度 Slot Depth mm
DPM.C-EX-M12	M12×1.5	2	Φ14	9	6	1.8
DPM.C-EX-M16	M16×1.5	2	Φ18	10	7	1.8
DPM.C-EX-M18	M18×1.5	2	Φ21	10	7	1.8
DPM.C-EX-M20	M20×1.5	2	Φ23	10	7	1.8
DPM.C-EX-M22	M22×1.5	2	Φ25	10	7	1.8
DPM.C-EX-M24	M24×1.5	2	Φ27	10	7	1.8
DPM.C-EX-M25	M25×1.5	2	Φ28	10	7	1.8
DPM.C-EX-M27	M27×2.0	2	Φ30	12	8	1.8
DPM.C-EX-M30	M30×2.0	2	Φ33	12	8	1.8
DPM.C-EX-M32	M32×1.5	2	Φ35	12	8	1.8
DPM.C-EX-M33	M33×2.0	2	Φ36	12	8	1.8
DPM.C-EX-M36	M36×2.0	2	Φ39	12	8	1.8
DPM.C-EX-M40	M40×1.5	2.5	Φ44	15	9	2.5
DPM.C-EX-M48	M48×2.0	2.5	Φ52	15	9	2.5
DPM.C-EX-M50	M50×1.5	2.5	Φ55	15	9	2.5
DPM.C-EX-M56	M56×2.0	2.5	Φ60	15	9	2.5
DPM.C-EX-M63	M63×1.5	2.5	Φ68	16	10	2.5
DPM.C-EX-M64	M64×2.0	2.5	Φ69	16	10	2.5

DPM.C-EX-N 防爆圆形金属闷盖 Explosion-Proof Circular Metal

- 材料: 黄铜镀镍
- 温度: -40°C~100°C
- 防爆等级: Ex II2 GD Exeb IIC Gb Extb IIIC Db IP66/68
- 防爆证书号: TUV 17 ATEX 8017 IECEx TUR 17.0011
- 性能: 通过RoHS测试



- Material: Nickel-plated brass
- Temperature range: Min -40°C, max 100°C
- Explosion Class: Ex II2 GD Exeb IIC Gb Extb IIIC Db IP66/68
- Explosion proof number: TUV 17 ATEX 8017 IECEx TUR 17.0011
- Properties: Passed RoHS

规格型号 Article no.	外螺纹F Outer Thread mm	扳手尺寸S Wrench Size mm	最大外径E Maximum Outer mm	总长度L Total Length mm	螺纹长度L1 Thread Length mm	一字槽深度 Slot Depth mm
DPM.C-EX-N3/8	NPT3/8"	2	Φ22	15.5	12	1.8
DPM.C-EX-N1/2	NPT1/2"	2	Φ26	18.5	15	1.8
DPM.C-EX-N3/4	NPT3/4"	2	Φ31	20	15	1.8
DPM.C-EX-N1	NPT1"	2	Φ37	23.5	19	1.8
DPM.C-EX-N11/4	NPT11/4"	2.5	Φ47	25.5	19	2.5
DPM.C-EX-N11/2	NPT11/2"	2.5	Φ53	26.5	20	2.5
DPM.C-EX-N2	NPT2"	2.5	Φ66	27.5	21	2.5
DPM.C-EX-N21/2	NPT21/2"	2.5	Φ78	38	30	5.5

DPM.C-EX-G 防爆圆形金属闷盖 Explosion-Proof Circular Metal

- 材料: 黄铜镀镍
- 温度: -40°C~100°C
- 防爆等级: Ex II2 GD Exeb IIC Gb Extb IIIC Db IP66/68
- 防爆证书号: TUV 17 ATEX 8017 IECEx TUR 17.0011
- 性能: 通过RoHS测试

- Material: Nickel-plated brass
- Temperature range: Min -40 C ,max 100 °C
- Explosion Class: Ex II2 GD Exeb IIC Gb Extb IIIC Db IP66/68
- Explosion proof number: TUV 17 ATEX 8017 IECEx TUR 17.0011
- Properties: Passed RoHS



规格型号 Article no.	外螺纹F Outer Thread mm	扳手尺寸S Wrench Size mm	最大外径E Maximum Outer mm	总长度L Total Length mm	螺纹长度L1 Thread Length mm	一字槽深度 Slot Depth mm
DPM.C-EX-G1/2	G1/2B	2	Φ25	11	8	1.8
DPM.C-EX-G3/4	G3/4B	2	Φ30	12	8	1.8
DPM.C-EX-G1	G1B	2	Φ38	13	9	1.8
DPM.C-EX-G11/4	G11/4B	2.5	Φ47	16	10	2.5

DPM.C-EX-P 防爆圆形金属闷盖 Explosion-Proof Circular Metal

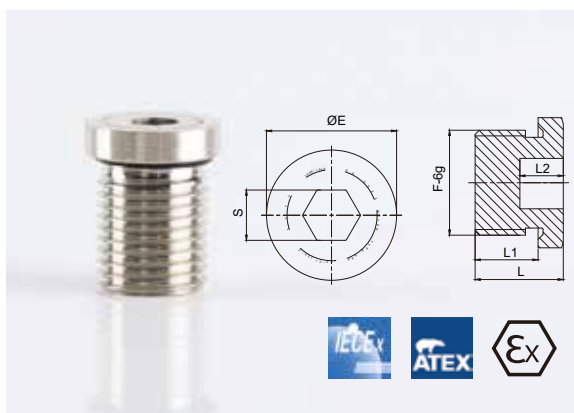
- 材料: 黄铜镀镍
- 温度: -40°C~100°C
- 防爆等级: Ex II2 GD Exeb IIC Gb Extb IIIC Db IP66/68
- 防爆证书号: TUV 17 ATEX 8017 IECEx TUR 17.0011
- 性能: 通过RoHS测试

- Material: Nickel-plated brass
- Temperature range: Min -40 C ,Max 100 °C
- Explosion Class: Ex II2 GD Exeb IIC Gb Extb IIIC Db IP66/68
- Explosion proof number: TUV 17 ATEX 8017 IECEx TUR 17.0011
- Properties: Passed RoHS



规格型号 Article no.	外螺纹F Outer Thread mm	扳手尺寸S Wrench Size mm	最大外径E Maximum Outer mm	总长度L Total Length mm	螺纹长度L1 Thread Length mm	一字槽深度 Slot Depth mm
DPM.C-EX-P07	PG7	2	Φ15	9	6	1.8
DPM.C-EX-P09	PG9	2	Φ18	10	7	1.8
DPM.C-EX-P11	PG11	2	Φ21	10	7	1.8
DPM.C-EX-P13.5	PG13.5	2	Φ23	10	7	1.8
DPM.C-EX-P16	PG16	2	Φ25	10	7	1.8
DPM.C-EX-P21	PG21	2	Φ32	11	7	1.8
DPM.C-EX-P29	PG29	2	Φ40	12	8	1.8
DPM.C-EX-P36	PG36	2.5	Φ50	15	9	2.5
DPM.C-EX-P42	PG42	2.5	Φ59	15	9	2.5
DPM.C-EX-P48	PG48	2.5	Φ64	16	10	2.5

DPM-Exd-M 金属隔爆闷盖 Explosion-proof Metal Plug



- 材料: 金属为黄铜镀镍
- 防护等级: IP68
- 防爆等级: Exdb IIC Gb Ex tb IIIC Db
- 防爆证书: TUV17 ATEX 8016 IECEx TUR17.0010
- 性能: 通过ATEX测试

- Material: Nickel-plated brass
- Protection Level: IP68
- Explosion Class: Exdb IIC Gb Ex TB IIIC Db
- Explosion proof certificate: TUV17 ATEX 8016 IECEx TUR 17.0010
- Performance: passed the ATEX test

★ 所有规格材质可以提供不锈钢DPMS-Exd-M系列
DPMS-Exd-M (stainless steel version) are available for all sizes

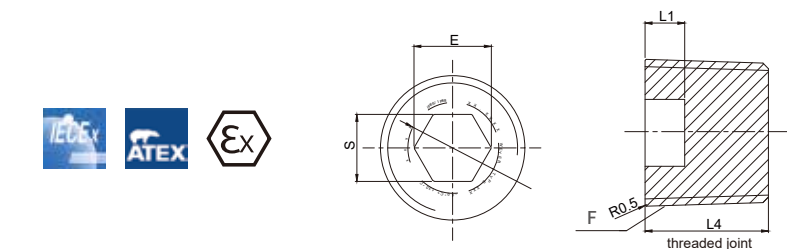
规格型号 Article no.	螺纹规格F Thread Dimension	最大外圆直径E Maximum Outer Circle Diameter mm	总长L Total Length mm	螺纹长度L1 GL mm	扳手槽深度L2 Wrench Slot Depth mm
DPM-Exd-M10	M10×1.0	Φ12	15	12	12
DPM-Exd-M12	M12×1.5	Φ14	18	15	15
DPM-Exd-M16	M16×1.5	Φ18	18	15	15
DPM-Exd-M18	M18×1.5	Φ21	18.5	15	15
DPM-Exd-M20	M20×1.5	Φ23	18.5	15	15
DPM-Exd-M22	M22×1.5	Φ25	19.5	16	16
DPM-Exd-M24	M24×1.5	Φ27	19.5	16	16
DPM-Exd-M25	M25×1.5	Φ28	19	16	16
DPM-Exd-M27	M27×2.0	Φ30	24	20	20
DPM-Exd-M30	M30×2.0	Φ33	24	20	20
DPM-Exd-M32	M32×1.5	Φ35	24	20	20
DPM-Exd-M33	M33×2.0	Φ36	24	20	20
DPM-Exd-M36	M36×2.0	Φ39	24	20	20
DPM-Exd-M40	M40×1.5	Φ44	25	20	20
DPM-Exd-M48	M48×2.0	Φ52	26	21	21
DPM-Exd-M50	M50×1.5	Φ55	26	21	21
DPM-Exd-M56	M56×2.0	Φ60	27	21	21
DPM-Exd-M63	M63×1.5	Φ68	27	21	21
DPM-Exd-M64	M64×2.0	Φ69	27	21	21

DPM-Exd-N 金属隔爆闷盖 Explosion-proof Metal Plug



- 材料: 金属为黄铜镀镍
- 防护等级: IP68
- 防爆等级: Exdb IIC Gb Ex tb IIIC Db
- 防爆证书: TUV17 ATEX 8016 IECEx TUR17.0010
- 性能: 通过ATEX测试

- Material: Nickel-plated brass
- Protection Level: IP68
- Explosion Class: Exdb IIC Gb Ex TB IIIC Db
- Explosion proof certificate: TUV17 ATEX 8016 IECEx TUR 17.0010
- Performance: Passed the ATEX test



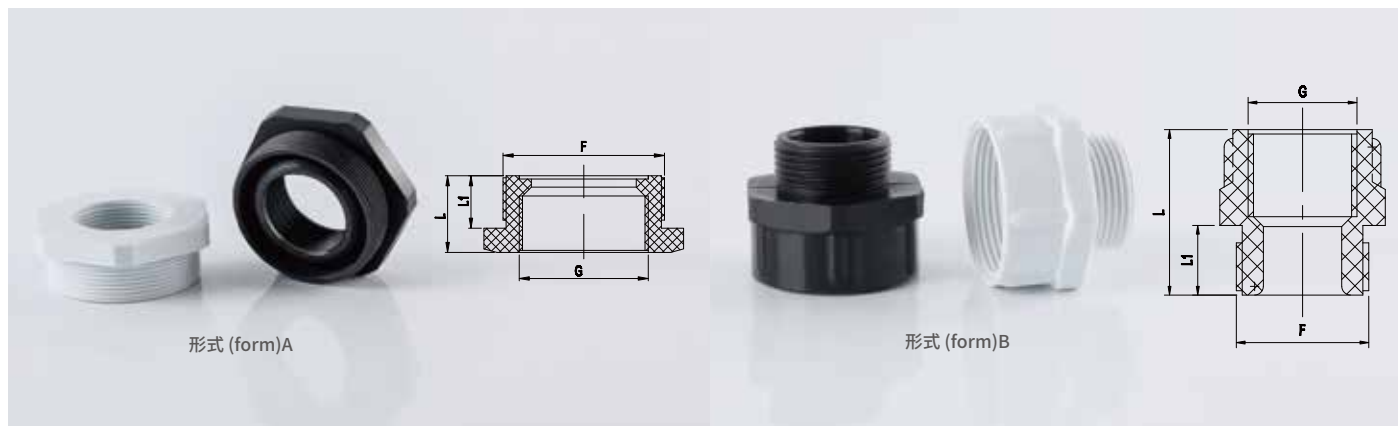
规格型号 Article no.	螺纹规格 Thread Dimension	扳手尺寸 SW1/SW2 mm	扳手对角尺寸 Wrench Angle Size mm	扳手槽深度 Wrench Slot depth mm	螺纹长度 GL mm
DPM-Exd-N3/8	NPT3/8"	7.2	8.5	5	12
DPM-Exd-N1/2	NPT1/2"	10.2	12	7	15
DPM-Exd-N3/4	NPT3/4"	14.2	16.5	7	15
DPM-Exd-N1	NPT3/1"	17.2	20	9	19
DPM-Exd-N11/4	NPT11/4"	24.2	28	9	19
DPM-Exd-N11/2	NPT11/2"	27.2	31.5	9	20
DPM-Exd-N2	NPT2"	36.2	41.5	10	21
DPM-Exd-N21/2	NPT21/2"	36.2	41.5	14	30

★ 所有规格材质可以提供不锈钢DPMS-Exd-N系列
DPMS-Exd-N (stainless steel version) are available for all sizes

REK 尼龙减缩环 Polyamide Reducer

- 材料: 尼龙
- 颜色: 灰白色(RAL 7035),黑色(RAL 9005)
- 温度: -40°C~100°C
- 防护等级: 当使用合适密封圈 (O-ring/FR)时达IP68

- Material: Polyamide
- Color: Grey white (RAL 7035),black (RAL 9005)
- Temperature range: Min -40 °C ,max 100 °C
- Protection degree: When used together with O-sealing, its protection degree can reach IP68



REK-P 尼龙减缩环-PG制螺纹 PG Thread

规格型号 Article no.	外螺纹规格 Outer Thread	内螺纹规格 Inner Thread	螺纹长度L1 Thread Length mm	总长度L Total Length mm	扳手尺寸SW Wrench Size mm	形式 Form	包装单位 Packet Units
* REK-P09/P07 #	PG9	PG7	8	19	19	B	100
* REK-P11/P09 #	PG11	PG9	8	22	22	B	100
* REK-P13.5/P11 #	PG13.5	PG11	9	24	24	B	100
* REK-P16/P11 #	PG16	PG11	9	24	23	A	100
* REK-P16/P13.5 #	PG16	PG13.5	10	27	27	B	100
* REK-P21/P16 #	PG21	PG16	11	15	33	A	100
* REK-P29/P21 #	PG29	PG21	11	17	40	A	50
* REK-P36/P29 #	PG36	PG29	18	24	50	A	50

REK-M 尼龙减缩环-公制螺纹 Metric Thread

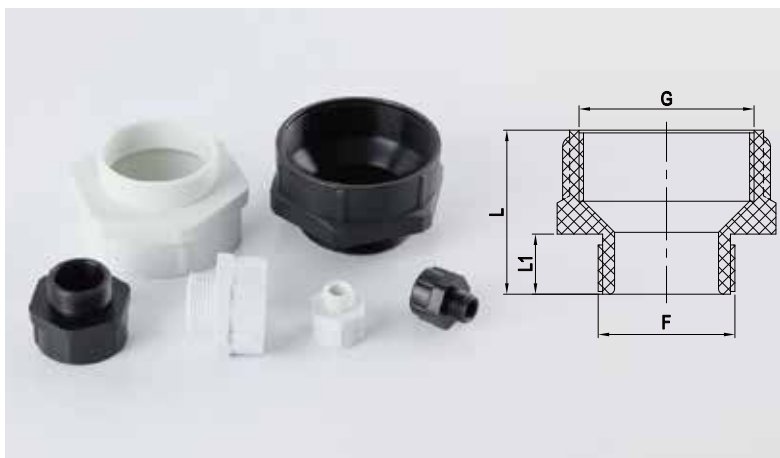
规格型号 Article no.	外螺纹规格 Outer Thread	内螺纹规格 Inner Thread	螺纹长度L1 Thread Length mm	总长度L Total Length mm	扳手尺寸SW Wrench Size mm	形式 Form	包装单位 Packet Units
REK-M16/M12 #	M16×1.5	M12×1.5	8	12	18	A	100
REK-M20/M16 #	M20×1.5	M16×1.5	9	13	24	A	100
REK-M25/M16 #	M25×1.5	M16×1.5	11	16	29	A	100
REK-M25/M18 #	M25×1.5	M18×1.5	11	16	29	A	100
REK-M25/M20 #	M25×1.5	M20×1.5	11	16	29	A	100
REK-M32/M20 #	M32×1.5	M20×1.5	11	16	36	A	50
REK-M32/M24 #	M32×1.5	M24×1.5	11	16	36	A	50
REK-M32/M25 #	M32×1.5	M25×1.5	11	16	36	A	50
REK-M32/M27 #	M32×1.5	M27×2.0	11	16	36	A	50
REK-M40/M25 #	M40×1.5	M25×1.5	13	19	45	A	25
REK-M40/M30 #	M40×1.5	M30×2.0	13	19	45	A	25
REK-M40/M32 #	M40×1.5	M32×1.5	13	19	45	A	25
REK-M50/M32 #	M50×1.5	M32×1.5	14	22	55	A	20
REK-M50/M40 #	M50×1.5	M40×1.5	14	22	55	A	10
REK-M63/M40 #	M63×1.5	M40×1.5	15	24	68	A	10
REK-M63/M50 #	M63×1.5	M50×1.5	15	24	68	A	10

★ 订货编号: #=B(黑色)、G(灰白色) Order number : #=B(Black)、G(Grey white)

EWK 尼龙增扩环 Polyamide Enlargement

- 材料: 尼龙
- 颜色: 灰白色(RAL 7035),黑色(RAL 9005)
- 温度: -40°C~100°C
- 防水等级: 当使用合适密封圈 (O-ring/FR)时达IP68

- Material: Polyamide
- Color: Grey white (RAL 7035), Black (RAL 9005)
- Temperature range: Min-40 C , max100 C
- Protection degree: When used together with O-sealing, its protection degree can reach IP68



EWK-P 尼龙增扩环-PG 螺纹 PG Thread

规格型号 Article no.	外螺纹规格 Outer Thread	内螺纹规格 Inner Thread	螺纹长度L1 Thread Length mm	总长度L Total Length mm	扳手尺寸SW Wrench Size mm	包装单位 Packet Units
EWK-P07/P09 #	PG7	PG9	8	20	19	100
EWK-P09/P11 #	PG9	PG11	8	23	23	100
EWK-P11/P13.5 #	PG11	PG13.5	8	23	24	100
EWK-P11/P16 #	PG11	PG16	8	25	27	100
EWK-P13.5/P16 #	PG13.5	PG16	9	26	27	100
EWK-P16/P21 #	PG16	PG21	10	29	33	50
EWK-P21/P29 #	PG21	PG29	10	32	42	50
EWK-P29/P36 #	PG29	PG36	10	35	53	25
* EWK-P36/P42 #	PG36	PG42	13	41	60	10
* EWK-P42/P48 #	PG42	PG48	15	46	65	10

EWK-M 尼龙增扩环-公制螺纹 Metric Thread

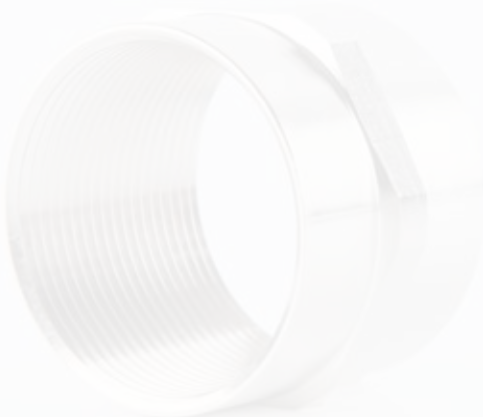
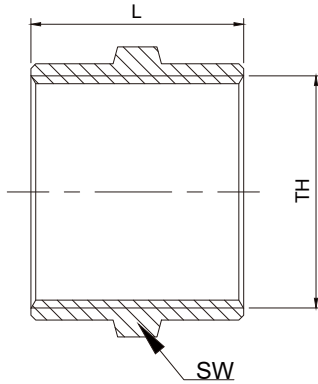
规格型号 Article no.	外螺纹规格 Outer Thread	内螺纹规格 Inner Thread	螺纹长度L1 Thread Length mm	总长度L Total Length mm	扳手尺寸SW Wrench Size mm	包装单位 Packet Units
EWK-M12/M16 #	M12×1.5	M16×1.5	8	22	20	100
EWK-M16/M20 #	M16×1.5	M20×1.5	8	23	24	100
EWK-M20/M25 #	M20×1.5	M25×1.5	9	27	30	100
EWK-M25/M32 #	M25×1.5	M32×1.5	11	30	36	50
EWK-M32/M40 #	M32×1.5	M40×1.5	11	34	45	50
EWK-M40/M50 #	M40×1.5	M50×1.5	13	37	55	25
EWK-M50/M63 #	M50×1.5	M63×1.5	14	41	68	10

★ 订货编号: #=B(黑色)、G(灰白色) Order number: #=B(Black)、G(Grey white)

VBM 金属内螺纹连接套 VBM-Metal Coupling Sleeve With Inner Thread

- 材料: 黄铜镀镍
- 性能: 通过RoHS测试

- Material: Nickel-plated brass
- Properties: Passed RoHS



VBM-M 公制螺纹 Metric Thread

规格型号 Article no.	内螺纹规格TH Inner Thread	总长度L Total Length	扳手尺寸SW Wrench Size	包装单位 Packet Units
VBM-M10	M10×1.5	16	12	50
VBM-M12	M12×1.5	16	14	50
VBM-M16	M16×1.5	18	18	50
VBM-M18	M18×1.5	22	21	32
VBM-M20	M20×1.5	22	23	32
VBM-M24	M24×1.5	22	27	36
VBM-M25	M25×1.5	22	28	36
VBM-M27	M27×2.0	22	30	36
VBM-M32	M32×1.5	24	36	18
VBM-M36	M36×2.0	28	40	18
VBM-M40	M40×1.5	30	45	8
VBM-M48	M48×2.0	35	52	8
VBM-M50	M50×1.5	35	55	8
VBM-M63	M63×1.5	42	70	2

VBM-P PG 制螺纹 PG Thread

规格型号 Article no.	内螺纹规格TH Inner Thread	总长度L Total Length	扳手尺寸SW Wrench Size	包装单位 Packet Units
VBM-P07	PG7	15	15	50
VBM-P11	PG9	15	18	50
VBM-P09	PG11	18	22	32
VBM-P13.5	PG13.5	22	24	32
VBM-P16	PG16	22	26	36
VBM-P21	PG21	24	32	18
VBM-P29	PG29	30	40	8
VBM-P36	PG36	35	50	8
VBM-P48	PG48	42.5	65	2

VBM-G 管螺纹 G Thread

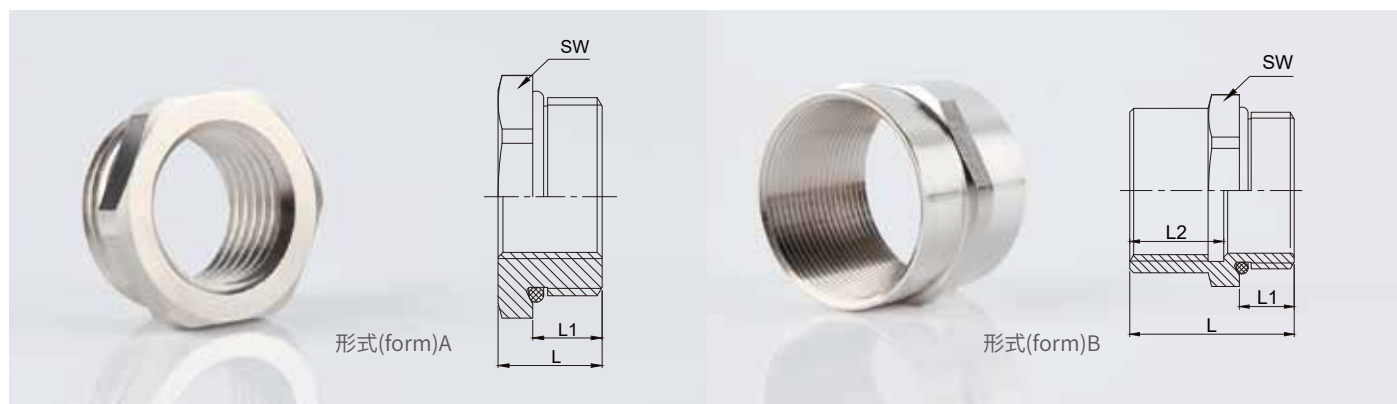
规格型号 Article no.	内螺纹规格TH Inner Thread	总长度D Total Length	扳手尺寸SW Wrench Size	包装单位 Packet Units
VBM-G1/4	G1/4"	22	17	75
VBM-G3/8	G3/8"	18	20	50
VBM-G1/2	G1/2"	30	24	32
VBM-G3/4	G3/4"	24	30	18
VBM-G1	G1"	24	38	8
VBM-G1 1/4	G1 1/4"	26	45	8
VBM-G1 1/2	G1 1/2"	30	52	8
VBM-G2	G2"	38	65	2
VBM-G2 1/2	G2 1/2"	38	80	2
VBM-G3	G3"	35	100	2

★ 所有规格材质可以提供不锈钢VBMS系列和铝合金VBMAL系列
VBMS (stainless steel version) and VBMAL (aluminum version)
are available for all sizes

REM 六角金属减缩环 Metal Reducer

- 材料: 外部金属为黄铜镀镍,密封件为改性橡胶
- 防护等级: IP68
- 性能: 通过RoHS测试

- Material: Nickel-plated brass,sealing:modified rubber
- Protection degree
- Protection Level: IP68
- Properties: Passed RoHS



REM-P 六角形金属减缩环 PG 螺纹 PG Thread Reducer

规格型号 Article no.	外螺纹规格 Outer Thread	内螺纹规格 Inner Thread	螺纹长度L1 Thread Length mm	总长度L Total Length mm	扳手尺寸SW Wrench Size mm	形式 Form	包装单位 Packet Units
REM-P09/P07	PG 9	PG 7	7	10	18	A	50
REM-P11/P09	PG11	PG 9	7	10.5	21	A	32
REM-P13.5/P11	PG 13.5	PG11	7	10.5	23	A	32
REM-P16/P13.5	PG 16	PG 13.5	7	10.5	26	A	18
REM-P21/P16	PG 21	PG 16	7	11	32	A	18
REM-P29/P21	PG 29	PG 21	8	13	45	A	8
REM-P36/P29	PG 36	PG 29	9	14	50	A	8
REM-P42/P36	PG 42	PG 36	9	14	58	A	6
REM-P48/P42	PG 48	PG 42	10	16	65	A	6

REM-M 六角形金属减缩环公制螺纹 Metric Thread Reducer

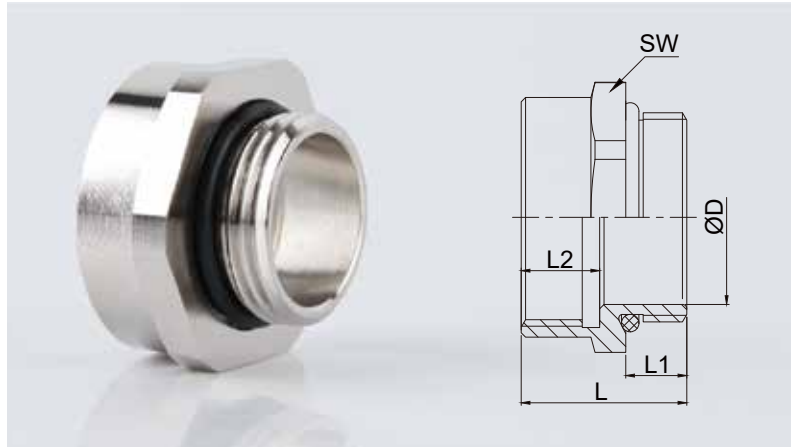
规格型号 Article no.	外螺纹规格 Outer Thread	内螺纹规格 Inner Thread	螺纹长度L1 Thread Length mm	螺纹长度L2 Thread Length mm	总长度L Total Length mm	扳手尺寸SW Wrench Size mm	形式 Form	包装单位 Packet Units
REM-M16/M12	M16×1.5	M12×1.5	7		10	18	A	50
REM-M18/M16	M18×1.5	M16×1.5	7	12	20.5	20	B	32
REM-M20/M16	M20×1.5	M16×1.5	7		10.5	22	A	32
REM-M20/M18	M20×1.5	M18×1.5	7	12	21	22	B	32
REM-M24/M20	M24×1.5	M20×1.5	7		10.5	27	A	18
REM-M25/M20	M25×1.5	M20×1.5	7		10.5	28	A	18
REM-M27/M25	M27×2.0	M25×1.5	8	14	24	30	B	18
REM-M30/M27	M30×2.0	M27×2.0	8	14	24	34	B	18
REM-M32/M25	M32×1.5	M25×1.5	8		12	36	A	18
REM-M36/M32	M36×1.5	M32×1.5	8		12	40	A	8
REM-M40/M32	M40×1.5	M32×1.5	9		14	45	A	8
REM-M50/M40	M50×1.5	M40×1.5	9		14	55	A	8
REM-M63/M50	M63×1.5	M50×1.5	10		16	70	A	6

- ★ 所有规格材质可以提供不锈钢REMS系列和铝合金REMAL系列
 REMS (stainless steel version) and REMAL (aluminum version) are available for all sizes
 可定制各类变径接头 Various reducer joints can be customized

EWM 金属增扩环 Metal Enlargement

- 材料: 黄铜镀镍, 密封件为改性橡胶
- 防护等级: IP68
- 性能: 通过RoHS测试

- Material: Nickel-plated brass, sealing: modified rubber
- Protection degree: IP68
- Properties: Passed RoHS



EWM-M 金属增扩环 Metric Thread

规格型号 Article no.	外螺纹规格 Outer Thread	内螺纹规格 Inner Thread	螺纹长度L1 Thread Length mm	螺纹长度L2 Thread Length mm	内孔 ΦD mm	总长度L Total Length mm	扳手尺寸SW Wrench Size mm	包装单位 Packet Units
EWM-M12/M16	M12×1.5	M16×1.5	6	8	8	16	19	32
EWM-M16/M18	M16×1.5	M18×1.5	7	8.5	12	17.5	22	32
EWM-M16/M20	M16×1.5	M20×1.5	7	9.5	12	18.5	23	32
EWM-M18/M20	M18×1.5	M20×1.5	7	9.5	14	18.5	23	32
EWM-M20/M25	M20×1.5	M25×1.5	7	9	16	18	28	18
EWM-M25/M30	M25×1.5	M30×1.5	7	10.5	21	20	34	18
EWM-M25/M32	M25×1.5	M32×1.5	7	10.5	21	20	36	18
EWM-M30/M36	M30×2.0	M36×2.0	8	12.5	25	23	40	8
EWM-M32/M40	M32×1.5	M40×1.5	8	12.5	27	23.5	45	8
EWM-M36/M48	M36×2.0	M48×2.0	8	16	31	27	52	4
EWM-M40/M50	M40×1.5	M50×1.5	9	16	35	28	55	8
EWM-M50/M63	M50×1.5	M63×1.5	10	17	44	30.5	70	3

EWM-P 金属增扩环 PG Thread

规格型号 Article no.	外螺纹规格 Outer Thread	内螺纹规格 Inner Thread	螺纹长度L1 Thread Length mm	螺纹长度L2 Thread Length mm	内孔 ΦD mm	总长度L Total Length mm	扳手尺寸SW Wrench Size mm	包装单位 Packet Units
EWM-P07/P09	PG7	PG9	6	8	9	16	18	50
EWM-P09/P11	PG9	PG11	7	9	11.5	18	22	32
EWM-P09/P13.5	PG9	PG13.5	7	9	11.5	18	24	32
EWM-P11/P13.5	PG11	PG13.5	7	9	15	18	24	32
EWM-P11/P16	PG11	PG16	7	11	15	20	26	18
EWM-P11/P21	PG11	PG21	7	12.5	15	22	32	18
EWM-P13.5/P16	PG13.5	PG16	7	11	17	20	26	32
EWM-P13.5/P21	PG13.5	PG21	7	13	17	22	32	18
EWM-P16/P21	PG16	PG21	7	12.5	19	22	32	18
EWM-P16/P29	PG16	PG29	7	13	19	23	40	8
EWM-P21/P29	PG21	PG29	7	13	23	22	40	8
EWM-P29/P36	PG29	PG36	8	16.5	32.5	27.5	50	8
EWM-P36/P42	PG36	PG42	9	18	42.5	31	58	2
EWM-P42/P48	PG42	PG48	10	19	48	33	65	2

★ 所有规格材质可以提供不锈钢EWS系列和铝合金EWMAL系列
EWS (stainless steel version) and EWMAL (aluminum version) are available for all sizes

EWM 金属增扩环 Metal Enlargement

- 材料: 黄铜镀镍, 密封件为改性橡胶
- 防护等级: IP68
- 性能: 通过RoHS测试

- Material: Nickel-plated brass, sealing: modified rubber
- Protection degree: IP68
- Properties: Passed RoHS



EWM-G 金属增扩环 G Thread

规格型号 Article no.	外螺纹规格 Outer Thread	内螺纹规格 Inner Thread	螺纹长度L1 Thread Length mm	螺纹长度L2 Thread Length mm	内孔 ΦD mm	总长度L Total Length mm	扳手尺寸SW Wrench Size mm	包装单位 Packet Units
EWM-G1/4/G3/8	G1/4"	G3/8"	8	10.5	9	20.5	20	32
EWM-G1/4/G1/2	G1/4"	G1/2"	8	10.5	9	20.5	24	32
EWM-G3/8/G1/2	G3/8"	G1/2"	8	10.5	12	20.5	24	32
EWM-G1/2/G1	G1/2"	G1"	8	13	16	23.5	36	8
EWM-G1/2/G1 1/4	G1/2"	G1 1/4"	8	16	16	27	45	8
EWM-G3/4/G1	G3/4"	G1"	8	16	21	26.5	36	8
EWM-G1/G1 1/4	G1"	G1 1/4"	13	16	27	32	45	8
EWM-G1 1/4/G1 1/2	G1 1/4"	G1 1/2"	13	15	34	31	52	4
EWM-G2/G2 1/2	G2"	G2 1/2"	13	18	53	34.5	80	2
EWM-G3/G3	G3"	G3"	11	17	79	32	100	2

EWM-N 金属增扩环 NPT Thread

规格型号 Article no.	外螺纹规格 Outer Thread	内螺纹规格 Inner Thread	螺纹长度L1 Thread Length mm	螺纹长度L2 Thread Length mm	内孔 ΦD mm	总长度L Total Length mm	扳手尺寸SW Wrench Size mm	包装单位 Packet Units
EWM-N1/2/N3/4	NPT1/2"	NPT3/4"	13	14	15	29	30	18
EWM-N3/4/N1	NPT3/4"	NPT1"	13	18	20	34	38	8
EWM-N3/4/N1 1/4	NPT3/4"	NPT1 1/4"	13	20	20	36.5	45	8
EWM-N3/4/N1 1/2	NPT3/4"	NPT1 1/2"	13	20	20	35.5	52	4
EWM-N1/N1 1/4	NPT1"	NPT1 1/4"	16	20	26	39	45	8
EWM-N1/N2	NPT1"	NPT2"	16	20	26	39	65	8
EWM-N1 1/4/N1 1/2	NPT1 1/4"	NPT1 1/2"	16	20	34	39	52	4
EWM-N1 1/2/N2	NPT1 1/2"	NPT2"	18	20	40	41	65	2

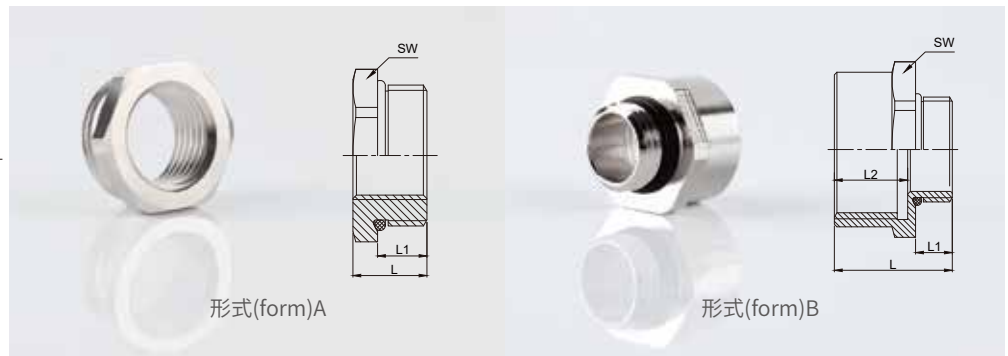
★ 可同时开发EWMAL系列铝合金材质接头

Note: EWMAL series aluminum alloy material connector can be developed simultaneously.

ADM 金属变径环 Metal Adaptor

- 材料: 黄铜镀镍, 密封件为改性橡胶
- 防护等级: IP68
- 性能: 通过RoHS测试

- Material: Nickel-plated brass, sealing: Modified rubber
- Protection degree: IP68
- Properties: Passed RoHS



ADM-M/P 金属变径环-公制螺纹转 PG 制螺纹 Metric Thread To PG Thread

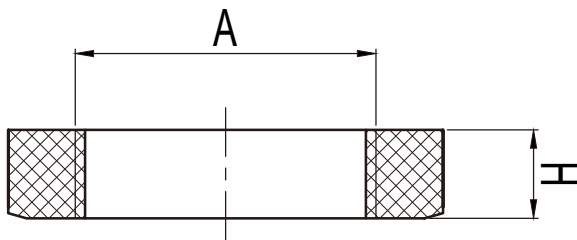
规格型号 Article no.	外螺纹规格 Outer Thread	内螺纹规格 Inner Thread	螺纹长度L1 Thread Length mm	螺纹长度L2 Thread Length mm	总长度L Total Length mm	扳手尺寸SW Wrench Size mm	形式 Form	包装单位 Packet Units
ADM-M16/P07	M16×1.5	PG7	7		10	18	A	50
ADM-M16/P09	M16×1.5	PG9	7	12	20.5	18	B	75
ADM-M16/P11	M16×1.5	PG11	7	12	20.5	22	B	32
ADM-M18/P09	M18×1.5	PG9	7	12	20.5	20	B	32
ADM-M18/P11	M18×1.5	PG11	7	12	20.5	22	B	32
ADM-M18/P13.5	M18×1.5	PG13.5	7	12	20.5	24	B	32
ADM-M20/P11	M20×1.5	PG11	7	12	20.5	22	B	32
ADM-M20/P13.5	M20×1.5	PG13.5	7	12	20.5	24	B	32
ADM-M20/P16	M20×1.5	PG16	7	12	20.5	26	B	36
ADM-M25/P16	M25×1.5	PG16	7	12	21	28	B	36
ADM-M25/P21	M25×1.5	PG21	7	14	23	32	B	18
ADM-M27/P13.5	M27×2.0	PG13.5	8		12	30	A	18
* ADM-M27/P16	M27×2.0	PG16	8		12	30	A	18
ADM-M32/P16	M32×1.5	PG16	8		12	36	A	18
ADM-M32/P21	M32×1.5	PG21	8		12	36	A	18
ADM-M32/P29	M32×1.5	PG29	8	14	24	40	B	8
ADM-M40/P29	M40×1.5	PG29	9	14	25	45	B	8
ADM-M40/P36	M40×1.5	PG36	9	17	28	50	B	8
ADM-M50/P21	M50×1.5	PG21	9		14	55	A	8
ADM-M50/P29	M50×1.5	PG29	9		14	55	A	8

ADM-P/M 金属变径环-PG 制螺纹转公制螺纹 PG Thread To Metric Thread

规格型号 Article no.	外螺纹规格 Outer Thread	内螺纹规格 Inner Thread	螺纹长度L1 Thread Length mm	螺纹长度L2 Thread Length mm	总长度L Total Length mm	扳手尺寸SW Wrench Size mm	形式 Form	包装单位 Packet Units
ADM-P09/M16	PG9	M16×1.5	7	12	20.5	19	B	75
ADM-P09/M20	PG9	M20×1.5	7	12	20.5	23	B	32
ADM-P11/M20	PG11	M20×1.5	7	12	20.5	23	B	32
ADM-P13.5/M20	PG13.5	M20×1.5	7	12	20.5	23	B	32
ADM-P16/M20	PG16	M20×1.5	7	12	20.5	26	B	18
ADM-P16/M25	PG16	M25×1.5	7	14	22.5	28	B	18
ADM-P21/M25	PG21	M25×1.5	7	14	23	32	B	18
ADM-P21/M32	PG21	M32×1.5	7	14	23	36	B	18
ADM-P21/M40	PG21	M40×1.5	7	17	26	45	B	8
ADM-P29/M40	PG29	M40×1.5	8	17	27	45	B	8
ADM-P36/M50	PG36	M50×1.5	9	17	28	55	B	8
ADM-P42/M63	PG42	M63×1.5	9	17	28.5	70	B	3

★ 所有规格材质可以提供不锈钢ADMS系列和铝合金ADMAL系列
ADMS (stainless steel version) and ADMAL (aluminum version) are available for all sizes

GMK 尼龙螺母 Polyamide Lock Nut



- 材料: 尼龙
- 颜色: 灰白色(RAL 7035),深灰色(RAL 7037),黑色(RAL 9005)
- 温度: -40°C~100°C

- Material: Polyamide
- Color: Grey white(RAL 7035), dark grey (RAL 7037), black (RAL 9005)
- Temperature range: Min -40°C, max 100°C

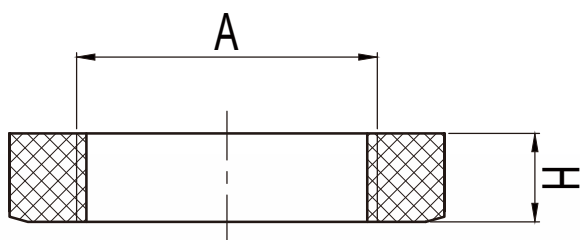
GMK-M 尼龙螺母 公制螺纹 Metric Thread

规格型号 Article no.	螺纹规格A Thread Dimension	扳手尺寸SW Wrench Size mm	厚度H Thickness mm	包装单位 Packet Units
GMK-M10 #	M10×1.0	15	5	50
GMK-M12 #	M12×1.5	19	5	50
GMK-M16 #	M16×1.5	22	5	50
GMK-M18 #	M18×1.5	24	5	50
GMK-M20 #	M20×1.5	27	6	50
GMK-M22 #	M22×1.5	30	6	50
GMK-M24 #	M24×1.5	32	6	50
GMK-M25 #	M25×1.5	32	6	25
GMK-M27 #	M27×2.0	36	7	25
GMK-M30 #	M30×2.0	36	7	25
GMK-M32 #	M32×1.5	41	7	25
GMK-M33 #	M33×2.0	41	7	25
GMK-M36 #	M36×.02	45	7	25
GMK-M40 #	M40×1.5	50	8	25
GMK-M42 #	M42×2.0	50	8	20
GMK-M48 #	M48×2.0	60	8	20
GMK-M50 #	M50×1.5	60	8	20
GMK-M56 #	M56×2.0	65	8	20
GMK-M60 #	M60×2.0	70	8	20
GMK-M63 #	M63×1.5	75	8	20
GMK-M64 #	M64×2.0	75	8	20

★ 订货编号: #-B(黑色)、DG(深灰色)、G(灰白色)

Order number: #-B(Black)、DG(Dark grey)、G(Grey white)

GMK 尼龙螺母 Polyamide Lock Nut



- 材料: 尼龙
- 颜色: 灰白色(RAL 7035),深灰色(RAL 7037),黑色(RAL 9005)
- 温度: -40°C~100°C

- Material: Polyamide
- Color: Grey white(RAL 7035), dark grey (RAL 7037), black (RAL 9005)
- Temperature range: Min -40 °C, max 100 °C

★ 订货编号: #=B(黑色)、DG(深灰色)、G(灰白色)

Order number: #=B(Black)、DG(Dark grey)、G(Grey white)

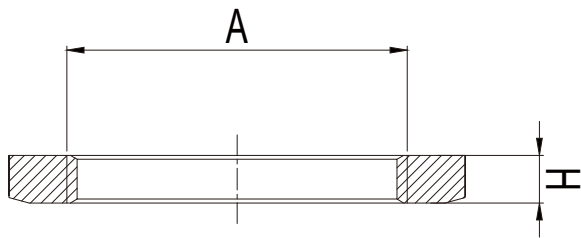
GMK-P 尼龙螺母 PG 制螺纹 PG Thread

规格型号 Article no.	螺纹规格A Thread Dimension mm	扳手尺寸SW Wrench Size mm	厚度H Thickness mm	包装单位 Packet Units
GMK-P07 #	PG7	19	5	50
GMK-P09 #	PG9	22	5	50
GMK-P11 #	PG11	24	5	50
GMK-P13.5 #	PG13.5	27	6	50
GMK-P16 #	PG16	30	6	50
GMK-P21 #	PG21	36	7	25
GMK-P29 #	PG29	45	7	25
GMK-P36 #	PG36	60	8	20
GMK-P42 #	PG42	65	8	20
GMK-P48 #	PG48	70	8	20

GMK-G 尼龙螺母 G 制螺纹 G Thread

规格型号 Article no.	螺纹规格A Thread Dimension mm	扳手尺寸SW Wrench Size mm	厚度H Thickness mm	包装单位 Packet Units
* GMK-G1/4 #	G1/4"	19	5	50
* GMK-G3/8 #	G3/8"	22	5	50
* GMK-G1/2 #	G1/2"	27	6	50
* GMK-G3/4 #	G3/4"	36	7	25
GMK-G1 #	G1"	41	7	25
GMK-G1 1/4 #	G1 1/4"	50	8	20
* GMK-G1 1/2 #	G1 1/2"	60	8	20
* GMK-G2 #	G2"	70	8	20

GM 金属螺母 Metal Lock Nut



- 材料: 黄铜镀镍
- 性能: 通过RoHS测试

- Material: Nickel-plated brass
- Properties: Passed RoHS



- ★ 所有规格材质可以提供不锈钢GMS系列和铝合金GMAL系列
GMS (stainless steel version) and GMAL (aluminum version) are available for all sizes

GM-M 金属螺母 公制螺纹 Metric Thread

规格型号 Article no.	螺纹规格A Thread Dimension mm	扳手尺寸SW Wrench Size mm	厚度H Thickness mm	包装单位 Packet Units
GM-M10	M10×1.0	12	2.5	50
GM-M12	M12×1.5	15	2.8	50
GM-M16	M16×1.5	19	2.8	50
GM-M18	M18×1.5	21	3	50
GM-M20	M20×1.5	23	3	50
GM-M22	M22×1.5	26	3	50
GM-M24	M24×1.5	28	3.5	50
GM-M25	M25×1.5	30	3.5	25
GM-M27	M27×2.0	32	4	25
GM-M30	M30×2.0	34	4	25
GM-M32	M32×1.5	36	4	20
GM-M33	M33×2.0	36	4	20
GM-M36	M36×2.0	40	4	20
GM-M40	M40×1.5	45	5	20
GM-M42	M42×2.0	46	5	20
GM-M48	M48×2.0	55	5	20
GM-M50	M50×1.5	55	5	20
GM-M56	M56×2.0	60	5	20
GM-M60	M60×2.0	65	5	20
GM-M63	M63×1.5	70	6	20
GM-M64	M64×2.0	70	6	20

GM-P 金属螺母 PG 制螺纹 PG Thread

规格型号 Article no.	螺纹规格A Thread Dimension mm	扳手尺寸SW Wrench Size mm	厚度H Thickness mm	包装单位 Packet Units
GM-P07	PG7	15	2.8	50
GM-P09	PG9	18	2.8	50
GM-P11	PG11	21	3	50
GM-P13.5	PG13.5	23	3	50
GM-P16	PG16	26	3	50
GM-P21	PG21	32	3.5	25
GM-P29	PG29	40	4	20
GM-P36	PG36	50	5	20
GM-P42	PG42	60	5	20
GM-P48	PG48	65	5.5	20

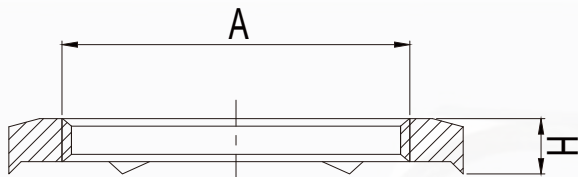
GM-G 金属螺母 管螺纹 G Thread

规格型号 Article no.	螺纹规格A Thread Dimension mm	扳手尺寸SW Wrench Size mm	厚度H Thickness mm	包装单位 Packet Units
GM-G3/8	G 3/8"	20	3	50
GM-G1/2	G 1/2"	20	4	50
GM-G3/4	G 3/4"	30	4	25
GM-G1	G 1"	40	5	20
GM-G1 1/4	G 1 1/4"	50	5	20
GM-G1 1/2	G 1 1/2"	55	6	20
GM-G2	G 2"	65	6	20
GM-G2 1/2	G 2 1/2"	86	8	10
GM-G3	G 3"	100	8	10

GME-M 齿状金属螺母 Lock nut With Cutting Edges

齿状金属螺母, 更适合与屏蔽接头配合使用, 通过RoHS测试

Lock nut with cutting edges, suit EMV connector better, passed RoHS.



- ★ 所有规格材质可以提供不锈钢GMEs系列和铝合金GMEAL系列
GMEs (stainless steel version) and GMEAL (aluminum version) are available for all sizes
- 同时可提供PG螺纹的齿状金属螺母
We can also supply Lock nut with cutting edges with PG thread

GME-M 公制螺纹 Metric Thread

规格型号 Article no.	螺纹规格A Thread Dimension mm	扳手尺寸SW Wrench Size mm	厚度H Thickness mm	包装单位 Packet Units
GME-M12	M12×1.5	15	3.8	50
GME-M16	M16×1.5	19	3.8	50
GME-M20	M20×1.5	23	4	50
GME-M25	M25×1.5	30	4.5	25
GME-M32	M32×1.5	36	5	20
GME-M40	M40×1.5	45	6	20
GME-M50	M50×1.5	55	6	20
GME-M63	M63×1.5	70	7	20

HP 扣式阀盖 Hole Plug

- 材料: 尼龙,UL94-V2
- 颜色: 黑色(RAL 9005)
- 温度: -30°C~100°C
- 应用场合: 可作为预留或多余孔的封堵, 无需工具, 只要用手轻轻一按, 即可完成装配。适用3.2mm以下钢板

- Material: PA, UL94-V2
- Color: Black(RAL 9005)
- Temperature range: Min-30 °C, max100 °C
- Application: To cover the spare holes, by pushing the plug without hand, you can finish the assembly easily without additional tools, suitable for the steel board below 3.2mm

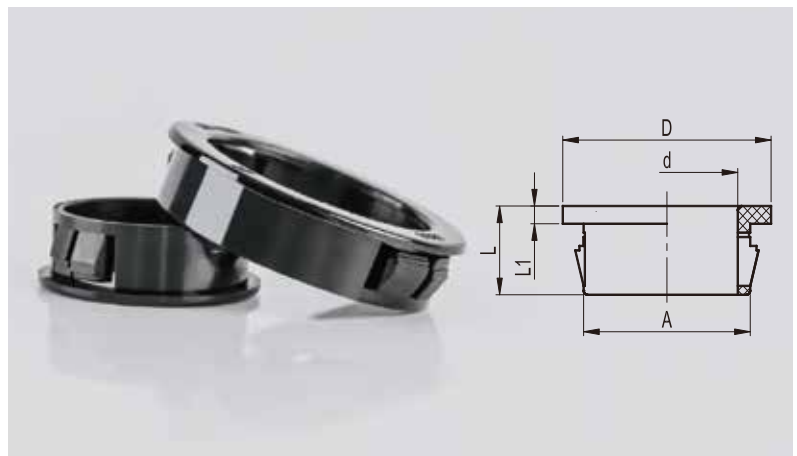


规格型号 Article no.	钢板孔径A Aperture of the Steel Board mm	阀头外径D OD of the Plug mm	阀头厚度L1 Thickness of the Plug mm	总高度L Total Length mm	包装单位 Packet Units
HP-8	7.9	10.3	1.6	8.1	100
HP-10	9.5	13	1.6	10.5	100
HP-13	12.7	16.5	1.6	10.9	100
HP-16	15.9	19.5	1.6	10	100
HP-19	19	22.9	1.6	10	100
HP-22	22.2	25.8	1.6	11.3	100
HP-25	25.3	29	1.6	12.6	100
HP-30	30	34.2	1.6	12	100
HP-50	50	55	1.6	14.5	25

SB 扣式护线套 Snap Bushing

- 材料: 尼龙,UL94-V2
- 颜色: 黑色(RAL 9005)
- 温度: -30°C~100°C
- 应用场合: 可作为预留或多余孔的封堵, 无需工具, 只要用手轻轻一按, 即可完成装配。适用0.8-3.2mm以下钢板

- Material: Polyamide, UL94-V2
- Color: Black(RAL 9005)
- Temperature range: Min-30 °C, max100 °C
- Application: To protect the cable which goes through the rough holes, by pushing the snap bushing with your hand, you can finish the assembly easily without additional tools, suitable for the steel board of 0.8- 3.2mm



规格型号 Article no.	钢板孔径A Aperture of the Steel Board mm	阀头外径D OD of the Plug mm	实线孔d mm	护口厚度L1 mm	总高度L Total Length mm	包装单位 Packet Units
SB-8	7.8	10.5	5.5	1.6	8	100
SB-10	9.5	12	6.5	1.6	10.5	100
SB-13	12.7	15	8	1.6	10.5	100
SB-16	15.9	19	12.5	1.6	10.5	100
SB-19	19	22	14.5	1.6	10.5	100
SB-22	22.2	24.5	18	1.6	11.5	100
SB-25	25.3	28.5	19.5	1.6	11.5	100
SB-30	30	33.5	24	1.6	11.5	100
SB-32	31.5	35	24	1.6	11.4	100
SB-38	38.1	42	29	1.6	11.4	100
SB-45	43.6	48	35.5	1.6	11.6	100
SB-55	55	60	50	1.6	15	100

O-ring O型密封圈 O-Ring



- 材质:改性橡胶
- 温度:-40°C~120°C
- 性能:耐油,通过RoHS测试
- 应用:防水、防尘

- Material: Modified rubber
- Temperature range: Min -40 °C, max 120 °C
- properties: Oil-resistant, passed RoHS
- Application: Protection against water, dust

规格型号 Article no.	适配尺寸 Fitting Size	内径 I D	外径 O D	线径 W D
O-ring 11	M10×1.0	8	10	1.5
O-ring 13	M16×1.5/PG7/G1/4	10	13	1.5
O-ring 16	M16×1.5/PG9	13	16	1.5
O-ring 18	M18×1.5/PG11	15	18	1.5
O-ring 20	M20×1.5/PG13.5	17	20	1.5
O-ring 22	M22×1.5/PG16	19	22	1.5
O-ring 25	M24×1.5	21	25	2.0
O-ring 26	M25×1.5	22	26	2.0
O-ring 28	M27×2.0	24	28	2.0
O-ring 29	PG21	25	29	2.0
O-ring 31	M30×2.0	27	31	2.0
O-ring 33	M32×1.5	29	33	2.0
O-ring 33	M33×2.0	29	33	2.0
O-ring 37	M36×2.0/PG29	33	37	2.0
O-ring 41	M40×1.5	37	41	2.0
O-ring 41	M42×2.0	37	41	2.0
O-ring 47	PG36	43	47	2.0
O-ring 49	M48×2.0	44	49	2.5
O-ring 51	M50×1.5	46	51	2.5
O-ring 55	PG42	50	55	2.5
O-ring 57	M56×2.0	52	57	2.5
O-ring 60	M60×2.0/PG48	55	60	2.5
O-ring 64	M63×1.5/M64×2.0	59	64	2.5
O-ring 13	G1/4"	10	13	1.5
O-ring 18×2.0	G3/8"	14	18	2.0
O-ring 21	G1/2"	17	21	2.0
O-ring 28G	G3/4"	23	28	2.5
O-ring 35G	G1"	29	35	3
O-ring 43G	G1 1/4"	37	43	3
O-ring 50G	G1 1/2"	44	50	3
O-ring 61G	G2"	55	61	3
O-ring 73	G2" 1/2	68.8	73	2.6
O-ring 89×3.0	G3"	83	89	3



- 材料:改性橡胶
- 温度:-40°C~120°C
- 特性:耐油, 防水, 防尘,通过RoHS测试

- Material: modified rubber
- Temperature range: Min -40 °C, max 120 °C
- Properties: Protection against oil, water and dust, passed RoHS

FR-P 扁平密封圈-PG 制螺纹 PG Thread

订货编号 Article no.	适配螺纹 For Thread	内径 ID mm	外径 OD mm	厚度 Thickness mm	包装单位 Packet Units
FR-P07	PG7	11.5	15	2	50
FR-P09	PG9	14	19	2	50
FR-P11	PG11	17.5	22	2	50
FR-P13.5	PG13.5	19	24	2	50
FR-P16	PG16	21	27	2	50
FR-P21	PG21	27	33	2.5	25
FR-P29	PG29	35.5	42	2.5	25
FR-P36	PG36	45.5	52	2.5	20
FR-P42	PG42	52.5	60	2.5	20
FR-P48	PG48	58	65	2.5	20

FR-M 扁平密封圈-公制螺纹 Metric Thread

订货编号 Article no.	适配螺纹 For Thread	内径 ID mm	外径 OD mm	厚度 Thickness mm	包装单位 Packet Units
FR-M10	M10×1.0	9	13	1.6	50
FR-M12	M12×1.5	10.5	15	1.6	50
FR-M16	M16×1.5	14.5	19	2	50
FR-M18	M18×1.5	16.5	22	2	50
FR-M20	M20×1.5	18.5	24	2	50
FR-M22	M22×1.5	20.5	26	2	50
FR-M24	M24×1.5	22.5	27	2	50
FR-M25	M25×1.5	23.5	30	2	25
FR-M27	M27×2.0	25	32	2	25
FR-M30	M30×2.0	28	33	2.5	25
FR-M32	M32×1.5	30.5	38	2.5	25
FR-M36	M36×2.0	34	42	2.5	25
FR-M40	M40×1.5	38.5	46	2.5	20
FR-M48	M48×2.0	46	52	2.5	20
FR-M50	M50×1.5	48.5	56	2.5	20
FR-M63	M63×1.5	61.5	67	2.5	20

FRH 扁平垫圈 Flat-Sealing



- 材质:不含石棉垫片
- 温度:-40°C~200°C
- 特性:扁平垫圈,用于各种软管接头,抗震,保证防护等级达到IP68

- Material: Tesnit (asbestos-free)
- Temperature range: Min -40 C ,max 200 C
- Properties: Flat-sealing is applied to all kinds of connectors,aseismatic, Protection degree:IP68

FRH-M 扁平密封圈-公制螺纹 Metric Thread

订货编号 Article no.	适配螺纹 For Thread	内径 ID	外径 OD	高度 Height	包装单位 Packet Units
FRH-M10	M10×1.0	10	15	1.5	50
FRH-M12	M12×1.5	12	17	1.5	50
FRH-M16	M16×1.5	16	21	1.5	50
FRH-M18	M18×1.5	18	23	1.5	50
FRH-M20	M20×1.5	20	27.5	1.5	50
FRH-M22	M22×1.5	22	27.5	1.5	50
FRH-M24	M24×1.5	24	29.5	1.5	50
FRH-M25	M25×1.5	25	35	1.5	25
FRH-M27	M27×2.0	27	35	1.5	25
FRH-M30	M30×2.0	30	37	1.5	25
FRH-M32	M32×1.5	32	42	1.5	25
FRH-M36	M36×2.0	36	44	1.5	25
FRH-M40	M40×1.5	40	52	1.5	25
FRH-M48	M48×2.0	48	52	1.5	20
FRH-M50	M50×1.5	50	62	1.5	20
FRH-M56	M56×2.0	56	62	1.5	20
FRH-M63	M63×1.5	63	72	1.5	10

FRH-P 扁平密封圈-PG 制螺纹 PG Thread

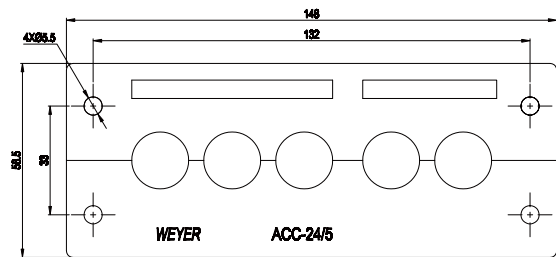
订货编号 Article no.	适配螺纹 For Thread	内径 ID	外径 OD	高度 Height	包装单位 Packet Units
FRH-P07	PG7	12.5	17	1.5	50
FRH-P09	PG9	15.2	21	1.5	50
FRH-P11	PG11	18.6	23	1.5	50
FRH-P13.5	PG13.5	20.4	27.5	1.5	50
FRH-P16	PG16	22.5	29.5	1.5	50
FRH-P21	PG21	28.3	35	1.5	25
FRH-P29	PG29	37	44	1.5	25
FRH-P36	PG36	47	52	1.5	20
FRH-P48	PG48	59.3	72	1.5	10

ACC 24/5 组合式电缆密封件 Combined Cable Seal



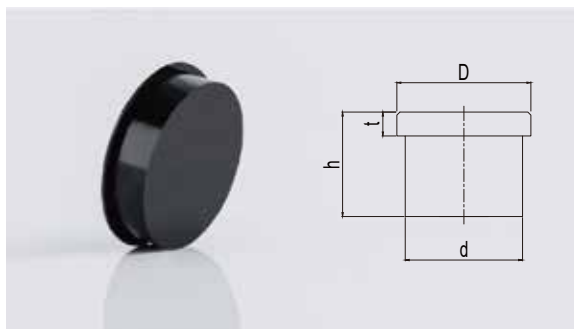
- 材料:尼龙;密封件材料:改性橡胶
- 温度:静态:-40°C~100°C短时可达到120°C
- 防护等级:IP65
- 阻燃等级:V2(UL94) 不含卤素、磷、镉,通过RoHS认证

- Material: Polyamide,sealing:modified rubber
- Temperature range: Min-40 C ,max100 C , short-term120 C
- Protection degree: IP65
- Properties: V2(UL94),free of halogen, phosphor and cadmium, passed RoHS



规格型号 Article no.	内孔尺寸 ΦI(mm)	包装单位 Packet	备注
WL-ACC24/5	/	10	穿墙板
WL-CT-S	0	50	
WL-CT-6	6	50	
WL-CT-7	7	50	
WL-CT-9	9	50	
WL-CT-11	11	50	
WL-CT-13	13	50	

SXT T型密封体 T-Sealing



型号规格 Article no.	D mm	d mm	h mm	t mm	包装单位 Packet Units
SXT-6.5	7.5	6.5	8	1	100
SXT-8	9.5	8	5	1	100
SXT-10	11.5	10	5	1	100
SXT-12	13.5	12	6	1	100
SXT-14	15.5	14	6	1	50
SXT-16	17.5	16	9	1	50
SXT-18	19.5	18	9	1	50
SXT-21	23	21	10	1.2	25
SXT-22	24	22	10	1.2	25
SXT-25	27.5	25	10	1.2	25
SXT-30	32.5	30	10	1.2	20
SXT-32	36	32	10	1.2	20
SXT-38	41.5	38	10	1.2	20
SXT-41	45	41	10	1.2	25
SXT-44	47.5	44	10	1.2	20
SXT-53	57	53	12	1.2	20
SXT-57	61	57	12	1.2	20

- 材质: 改性橡胶
- 温度: -40°C~120°C
- 性能: 耐油
- 应用: 适用于电缆防水接头不穿电缆时, 防水、防尘

- Material: Modified Rubber
- Temperature range: Min-40 °C , max120 °C
- properties: Oil-resistant
- Application: for cable glands while not being used, resistant to water and dust

SXT-PA 尼龙T型密封体 Polyamide T-Sealing



型号规格 Article no.	D mm	d mm	h mm	t mm	包装单位 Packet Units
SXT-14-T-PA	24	14.1	16.5	1.5	100
SXT-18-T-PA	30	18.1	18	3	50
SXT-20-PA-15	23	20	16.5	1.2	50
SXT-23-PA-17	26.5	23	18.5	1.5	50
SXT-25-T-PA	39	25	19	3	50
SXT-44-T-PA	62	44	21.5	1.5	25

- 材质: 尼龙
- 温度: -40°C~100°C
- 性能: 耐油
- 应用: 适用于电缆防水接头不穿电缆时, 防水、防尘

- Material: Polyamide
- Temperature range: Min-40 °C , max100 °C
- properties: Oil-resistant
- Application: For cable glands while not being used, resistant to water and dust

扳手工具 Wrench Tool

常规型扳手
Regular Wrench



短边型快速扳手
Short Edge Quick Wrench



套筒型扳手
Sleeve Wrench



加长套筒型扳手
Extended socket wrench



型号规格 Article no.	扳手尺寸 Spear Size (mm)	外圆 Outer Circle	扳口厚度 Pulling Thickness (mm)	柄长(有效长度) Handle Length (valid length) (mm)
WL-BS1-SW64	64.1	Ø82.3	180	35
WL-BS1-SW60	60.1	Ø77.7	180	35
WL-BS1-SW55	55.1	Ø72	200	35
WL-BS1-SW42-LJJ	42.2	Ø56.8	180	30
WL-BS1-SW41	41.1	Ø54.3	180	35
WL-BS1-SW40	40.2	Ø54.2	180	35
WL-BS-SW36	36.1	Ø52	200	30
WL-BS-SW34	34.1	Ø49	150	30
WL-BS1-SW33-LJJ	33.2	Ø44.7	150	30
WL-BS1-SW32	32.1	Ø44	150	30
WL-BS-SW30-T1	30.1	Ø44	200	30
WL-BS1-SW28	28.2	Ø39.3	150	30
WL-BS1-SW27	27.1	Ø38.2	150	30
WL-BS1-SW24-T	24.1	Ø34.7	210	30
WL-BS1-SW22	22.2	Ø32.4	150	30
WL-BS1-SW18	18.2	Ø26.8	150	30

型号规格 Article no.	扳手尺寸 Spear Size (mm)	外圆 Outer Circle	扳口厚度 Pulling Thickness (mm)	柄长(有效长度) Handle Length (valid length) (mm)
WL-BS-SW60	60.3	Ø81.3	150	35
WL-BS-SW58	58.3	Ø78.6	150	35
WL-BS-SW55	55.4	Ø74.6	150	35
WL-BS-SW53-T2	53.2	Ø67.3	233	30
WL-BS-SW45	54.2	Ø61	150	30
WL-BS-SW40	40.2	Ø54	150	30
WL-BS-SW36-T2	36.2	Ø49	150	30
WL-BS-SW30-T3	30.2	Ø41	150	30
WL-BS-SW28	28.2	Ø38	150	30
WL-BS-SW24	24.1	Ø33	150	30

型号规格 Article no.	扳手尺寸 Spear Size (mm)	开口尺寸 Opening size	外圆 Outer Circle	柄长 Handle Length (mm)	厚度 Thickness (mm)
* WL-BS2-SW80	80	59	104	250	30
* WL-BS2-SW65	65	42	85	250	30
* WL-BS2-SW60	60	40	79	250	30
* WL-BS2-SW55	55	37	73	250	30
* WL-BS2-SW53	53	35	70	250	30
* WL-BS2-SW42	42	27	55	200	25
* WL-BS2-SW33	33	20	44	180	25
* WL-BS2-SW27	27	16	36	150	20
* WL-BS2-SW24	24	16	35	150	20
* WL-BS2-SW22	22	14	33	150	20
* WL-BS2-SW19	19.2	10	26	150	20
* WL-BS2-SW15	15.2	8	21	150	20

型号规格 Article no.	扳手尺寸 Spear Size (mm)	开口尺寸 Opening size	外圆 Outer Circle	柄长 Handle Length (mm)	厚度 Thickness (mm)
* WL-BS2-SW65-T	65	42	85	250	60
* WL-BS2-SW60-T	60	40	80	250	60
* WL-BS2-SW53-T	53	35	72	250	60
WL-BS2-SW50-T	50	35	68	250	60
WL-BS2-SW45-T	45	32	62	200	60

扳手工具 Wrench Tool

常规型扳手头

Regular wicker.



型号规格 Article no.	扳手尺寸 Spear Size (mm)	外圆 Outer Circle	柄长(有效长度) Handle Length (valid length) (mm)
BST1-SW53	53.2	Ø71.7	59
BST1-SW42	42.2	Ø56.8	51.6
* BST1-SW36	36.2	Ø49	47.6
BST1-SW33	33.2	Ø44.7	45.8
* BST1-SW28	28.2	Ø38.2	41.6
BST1-SW24	24.2	Ø32.6	38.6
* BST1-SW22	22.2	Ø30.2	36.6
BST1-SW19	19.2	Ø25.9	34.6
* BST1-SW18	18.2	Ø24.8	34.6
BST1-SW15	15.2	Ø24	34.6

短边型快速扳手头

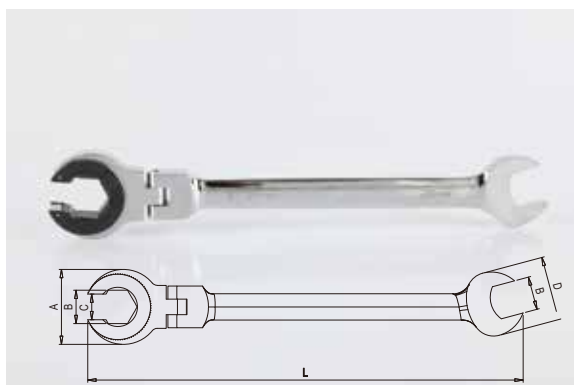
Short Edge Quick TwisterC



型号规格 Article no.	扳手尺寸 Spear Size (mm)	外圆 Outer Circle	柄长(有效长度) Handle Length (valid length) (mm)
BST-SW53	53.2	Ø71.7	59
BST-SW42	42.2	Ø56.8	51.6
* BST-SW36	36.2	Ø49	47.6
BST-SW33	33.2	Ø44.7	45.8
* BST-SW28	28.2	Ø38.2	41.6
BST-SW24	24.2	Ø32.6	38.6
* BST-SW22	22.2	Ø30.2	36.6
BST-SW19	19.2	Ø25.9	34.6
* BST-SW18	18.2	Ø24.8	34.6
BST-SW15	15.2	Ø24	34.6

棘轮开口扳手

Ratchet open-end wrench



型号规格 Article no.	宽度A (mm)	规格 B	棘轮开口 C	宽度D (mm)	厚度E (mm)	厚度F (mm)	长度L (mm)
* RG1217B30	65	30	21.5	62	22.5	12.0	405
* RG1217B27	63	27	20.5	54	20.0	10.5	370
* RG1217B24	50	24	18.0	52	18.0	10.5	330
* RG1217B22	47	22	17.0	44.5	17.0	9.0	290
* RG1217B21	47	21	16.5	44.5	17.0	9.0	290
* RG1217B19	46.2	19	14.0	39.8	16.4	8.0	230
* RG1217B18	46.2	18	14.0	39.0	16.4	7.8	230
* RG1217B17	41.8	17	12.8	36.4	15.4	7.3	215
* RG1217B16	41.8	16	12.8	33.4	15.4	7.1	215
* RG1217B15	41.8	15	12.8	31.9	15.4	6.6	215
* RG1217B14	36.3	14	10.5	29.4	14.3	6.5	190
* RG1217B13	36.3	13	10.5	27.1	14.3	6.2	190
* RG1217B12	32.7	12	8.5	24.9	13.5	6.0	175
* RG1217B11	32.7	11	8.5	23.5	13.5	5.4	175
* RG1217B10	28.6	10	7.0	21.3	13.3	5.3	160
* RG1217B9	28.6	9	6.0	18.7	13.3	5.2	160
* RG1217B8	28.6	8	6.0	17.0	13.3	5.1	160

技术参数 Technical Data

螺纹标准与技术数据 Thread standard and technical data

公制螺纹:螺牙角度60度MetricThread:60°德国PG制螺纹:螺牙角度80度PGThread:80°

螺纹规格 Thread	螺距 Pitch	外径d1 mm	底径d2 mm	备注	螺纹规格 thread	螺距 Pitch	外径d1 mm	底径d2 mm
M10	1	10	9	欧标、国标				
M12	1.5	12	10.5	欧标、国标	PG7	1.27	12.5	11.28
M16	1.5	16	14.5	欧标、国标	PG9	1.41	15.2	13.86
M18	1.5	18	16.5	国标	PG11	1.41	18.6	17.26
M20	1.5	20	18.5	欧标、国标	PG13.5	1.41	20.4	19.06
M22	1.5	22	20.5	国标	PG16	1.41	22.5	21.16
M24	1.5	24	22.5	国标	PG21	1.587	28.3	26.78
M25	1.5	25	23.5	欧标	PG29	1.587	37	35.48
M27	2	27	25	国标	PG36	1.587	47	45.58
M30	2	30	28	国标	PG42	1.587	54	52.48
M32	1.5	32	30.5	欧标、国标	PG48	1.587	59.3	57.78
M33	2	33	31	国标				
M36	2	36	34	国标				
M40	1.5	40	38.5	欧标、国标				
M42	2	42	40	国标				
M48	2	48	46	国标				
M50	1.5	50	48.5	欧标、国标				
M56	2	56	54	国标				
M60	2	60	58	国标				
M63	1.5	63	61.5	欧标、国标				
M64	2	64	62	国标				
M72	2	72	62	国标				
M75	2	75	73	国标				

注明: 欧州公制标准按照EN60423标准
 国标公制标准按照GB/T192-1981
 PG螺纹标准按照DIN40430

Notice: European metric thread standard according to
 EN60423, Chinese metric thread standard according
 to GB/ T 192-1981
 PG thread standard DIN 40430

管螺纹:螺牙角度55度GThread:55°

NPT锥管螺纹:螺牙角度60度NPT Thread:60°

螺纹规格 Thread	螺距 Pitch	螺纹外径d mm	内螺纹小径 mm	螺纹规格 Thread	螺距 Pitch	基面距离 Base Surface Distance	基面螺纹大径 mm	内螺纹小径 mm
G 1/4"	1.337	13.157	11.145	NPT 1/4"	1.411	5.786	13.616	11.358
G 3/8"	1.337	16.662	14.95	NPT 3/8"	1.411	6.096	17.055	14.797
G 1/2"	1.814	20.995	18.631	NPT 1/2"	1.814	8.128	21.223	18.321
G 3/4"	1.814	26.441	24.117	NPT 3/4"	1.814	8.611	26.568	23.666
G 1"	2.309	33.249	30.291	NPT 1"	2.208	10.16	33.228	29.694
G 1 1/4"	2.309	41.91	38.952	NPT 1 1/4"	2.208	10.668	41.988	38.451
G 1 1/2"	2.309	47.803	44.845	NPT 1 1/2"	2.208	10.668	48.054	44.52
G 2"	2.309	59.614	56.565	NPT 2"	2.208	11.074	60.092	56.558
G2 1/2"	2.309	75.184	72.226	NPT 2 1/2"	3.175	17.323	72.699	67.619
G 3"	2.309	87.884	84.926	NPT 3"	3.175	19.456	88.608	83.528

G螺纹标准按:DIN ISO 228-1

NPT 螺纹标准按: ANSI/ASME B/.20.

Gas thread standard according to DIN ISO 228-1

NPT thread standard according to ANSI/ASME B/.20.

电缆防水接头扭矩标准 VDE0619 cable gland twisting standard for torque moment

螺纹规格 Thread Dimension	接头(N·M) Cable Gland		平螺母(N·M) Lock Nut	
	塑料 Plastic	金属 Metal	塑料 Plastic	金属 Metal
Pg7/M10/M12	1.3	3.5~5.5	1.2	4.5~7
PG9/M16	2.5	6.5~10	1.5	4.5~7
PG11/M18	3.8	6.5~10	2	4.5~7
PG13.5/M20	3.8	6.5~10	2	4.5~7
PG16/M22/M24	5	7.5~11	3.5	5~7.5
M25	7.5	10~15	3.5	7~10
PG21/M27/M30	7.5	10~15	5	7~10
PG29/M32/M33/M36	7.5	10~20	5	7~10
PG36/M40/M42/M48	7.5	10~20	5	10~15
PG42/M50/M56	7.5	15~30	5	15~20
PG48/M63/M64	10	15~30	5	15~20

(单位:N.M UNIT: N.M)

IP 防护等级的意义 Protection Degree

第一位表示防尘指标

- 0. 表示没有防护
- 1. 可防止50mm以上固体的危害
(偶然的手接触)
- 2. 可防止12mm以上固体的危害
(手指大小的物体)
- 3. 可防止2.5mm以上固体的危害(细电线等)
- 4. 可防止1mm以上固体的危害(细电线等)
- 5. 可防止粉尘的危害
- 6. 完全防止粉尘的危害

First index

Code Degree of protection(dust)

- 0. No protection
- 1. Protection against foreign bodies with $\phi > 50\text{mm}$ (occasional contact with hands)
- 2. Protection against foreign bodies with $\phi > 12\text{mm}$ (occasional contact with fingers)
- 3. Protection against foreign bodies with $\phi > 2.5\text{mm}$ (wires or the like with $\phi > 2.5\text{mm}$)
- 4. Protection against foreign bodies with $\phi > 1\text{mm}$ (wires or the like with $\phi > 1\text{mm}$)
- 5. Protection against dust
- 6. Full protection against dust

第二位表示防水指标

- 0. 表示没有防护
- 1. 可防止竖直落水的危害
- 2. 可防止竖直方向成15°角以下直接喷水的危害
- 3. 可防止竖直方向成60°角以下直接喷水的危害
- 4. 可防止来自各个方向上直接喷水的危害
- 5. 可防止来自各个方向上低压水喷射的危害
- 6. 可防止来自各个方向上高压水喷射的危害
- 7. 可防止15cm~1m之间浸没的危害
- 8. 可放置长期浸没的危害(1.2米水深, 1小时)

Second index

Code Degree of protection(water)

- 0. No protection
- 1. Protection against vertical water drops
- 2. Protection against included water drops (any angle up to 15° to vertical line)
- 3. Protection against splash water from all directions, 60° to vertical line
- 4. Protection against splash water from all directions.
- 5. Protection against water jets from any angle under low pressure
- 6. Protection against water jets from any angle under high pressure
- 7. Protection against water penetration 15cm~1m below water
- 8. Protection against long-term water penetration (1.2m water depth, 1 hour).

WEYER

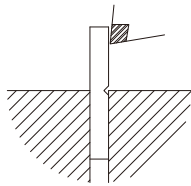
电气连接与保护系统

电缆拖链系列

Cable Chains System

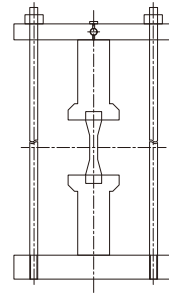


抗冲击
Impact

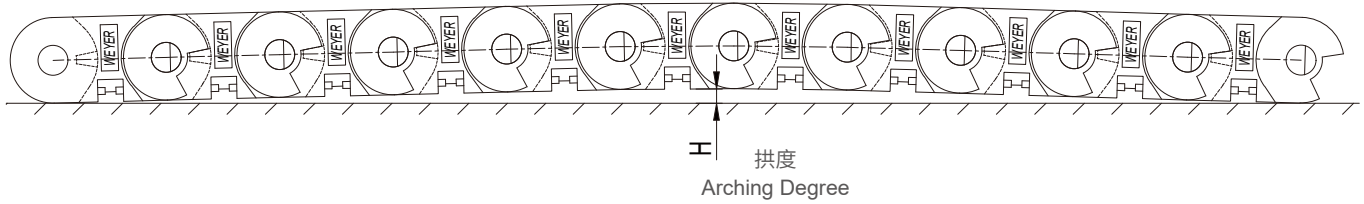


悬臂梁冲击
Cantilever Beam Impact

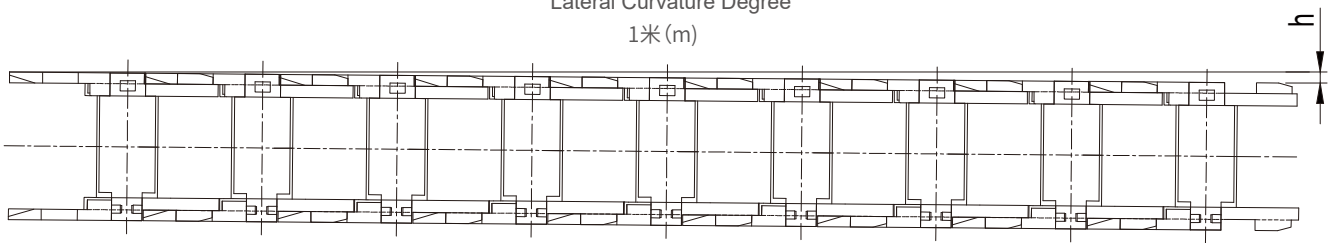
抗拉强度
Tensile Strength



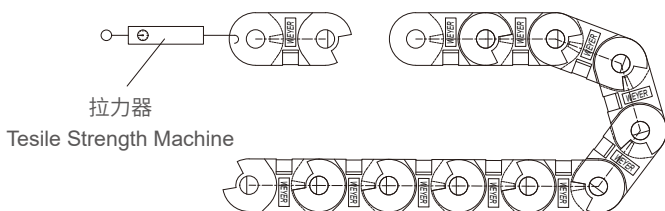
拱度
Arching Degree
1米 (m)



侧弯度
Lateral Curvature Degree
1米 (m)



灵活度
Flexibility



运行寿命
Operation Life



拖链的用途和特点 Application And Characteristics of Cable Chains

- 适合于使用在往复运动的场合,能够对内置的电缆、油管、气管、水管等起到牵引和保护作用;
- 工程塑料电缆拖链每节都能打开,便于安装和维护;
- 工程塑料电缆拖链运动时噪音低、耐磨、可高速运动;
- 拖链已被广泛应用于数控机床、电子设备、石材机械、玻璃机械、门窗机械、注塑机、机械手、起重运输设备、自动化仓库等;
- Applied to use in reciprocating motion so as to have traction and protection effects on built-in cables, inner oil tubes, gas tubes, water tubes, etc;
- Each segmental part of the engineering plastic cable chain can be opened for easy installation and maintaining;
- While working, the engineering plastic chain is in low noise, anti-abrasion, high speed movement;
- Widely applied to numerically controlled machine tools, electronic devices, dimension stone mechanism, glass mechanism, door-window mechanism, plastic injection moulding machine, manipulator, weight handling equipment, auto warehouse, etc.

拖链的结构 Constructure of Chains

- 工程塑料电缆拖链,由众多单元链节组成,链节之间可转动自如;
- 相同系列的拖链内高Hi、外高Ha、节距T相同,拖链内宽Bi、弯曲半径R可有不同的选择;
- 10系列拖链的单元链节不能打开;15系列、18系列、25系列拖链的单元链节能单面打开;26系列及以上规格拖链的单元链节上下两面均能打开,它由左右链板和上下盖板组成;拖链每节都能打开,装拆方便;不必穿线,打开盖板后即可把电缆、油管、气管等放入拖链内(10系列除外);
- 另可提供分隔片,将链内空间按需要分隔开;
- 可提供特殊运动方式或特殊应用场合的工程塑料电缆拖链;
- The engineering plastic cable chain consists of numerous unit links which can round up smoothly between each other;
- In the same series of chains, they are seized of the same inner height(Hi), same outer height(Ha), same pitch(T);However,thereare different choices for inner width(Bi) and bending radius(R).
- Unit link of the 10 series can not be opened, while unit link of 15 series, 18 series and 25 series can be opened by one side; Unit link of 26 series and above, which is made up of right-and-left link joint and both cover plate(upper and lower),can be opened by both upper and lower sides. Each unit can not only be opened but also installed and dismantled without threading. After opening the cover, putting the cables, oil tubes, and gas tubes into the chain.(Except 10 series);
- Besides, the separator can be provided to separate the space in the chain as required.
- We can provide engineering plastic cable chains for special motion or special applications.

拖链的基本参数 Basic Data of Chains

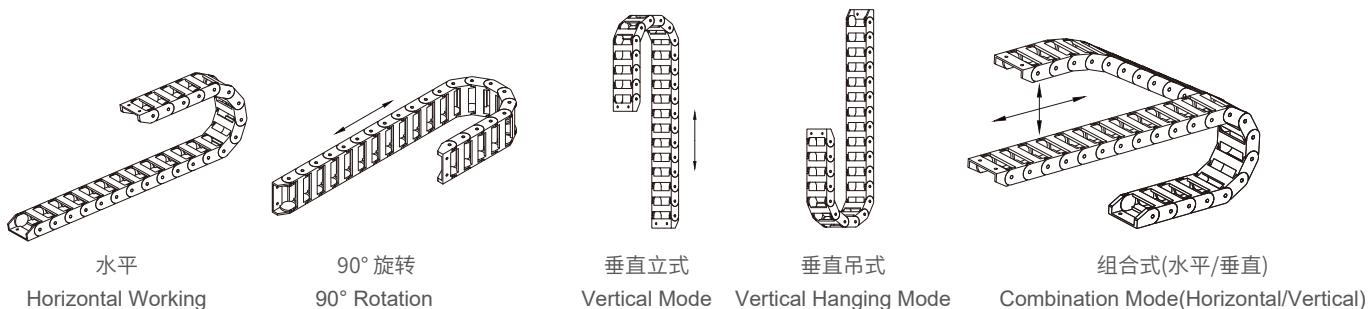
- 材料:增强尼龙,具有高的压力和抗拉负荷,良好的韧性高弹性模数。高低温时性能稳定,可以使用在室外。
- 抗耐性:耐油、盐并有一定的耐酸耐碱能力;
- 运行速度和加速度;最高速度可达5米/秒,最高加速度可达5米/秒²(具体速度、加速度视运行情况而定);
- 运行寿命:在正常架空使用情况下,可达500万往复运动次数(具体寿命视运行情况而定);
- Material:Enhanced polyamide with high tension and pull-out strength, excellent flexibility, stable performance at high and low temperatures. It can be used outdoors.
- Resistant against: oil, salt, certain acid and alkali resistance.
- Working speed and acceleration: The Max speed can reach 5 m/s, and the Max acceleration can reach 5 m/s² (the specific speed and acceleration depend on the operating conditions);
- Operation life: Under the condition of normal overhead use, it can reach 5 million times for reciprocating motion (detailed life in accordance with operation conditions).

技术指标 Technical Data

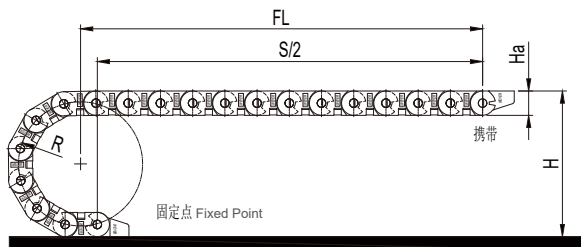
抗拉强度Tensile Strength	180N/mm ²
冲击强度Impact Strength	50KJ/m ²
温度范围Temperature Range	-40°C ~130°C
表面电阻Surface Resistance	10 ¹⁰ ~ 10 ¹² Ω

体积电阻 Volume Resistance	10 ¹⁰ ~ 10 ¹⁵ Ω
吸水性 Water Absorption(23°C)	4%
摩擦系数 Friction Coefficient	0.3
阻燃性 Flame- Retardant	HB(UL94)

拖链的运行方式 Working Mode of The Chains



水平架空运行 Horizontal lift motion



S=运行行程 Route

T=节距 Pitch

H=安装高度 Installation Height

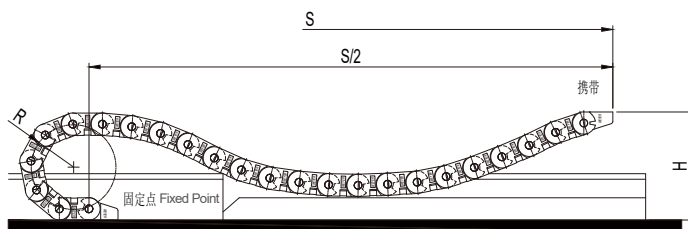
FL=架空长度 Overhead Length

R=弯曲半径 Radius

Ha=外高 Outside Height

P=固定端偏离行程中心的距离 The distance of the fixed end from the center of the route

滑动运行 Glide motion



拖链长度和安装高度计算 Calculation To Length And Installation Height of Chains

- 拖链长度 Length of chains: $L = s/2 + \pi R + P + (2 \sim 3)T$
 - 拖链安装高度 Installation height: $H = 2R + Ha + 0.2Ha$
 - 长距离运动建议使用滑动运行方式, 滑动运行拖链的长度和安装高度请来电咨询。
 - It is recommended to use the sliding mode for long-distance movement. Please call us for the length and installation height of the sliding chain.
- 固定点在运行行程中间时 (即 $P=0$), 拖链长度最为节约
When the fixed point is in the middle of the route ($P=0$), the length of the chain is minimum

拖链型号的描述 Description of The Chains Types

例如: 内高35mm, 内宽75mm, 弯曲半径 $R=100\text{mm}$ (R 必须从规格中选择具体数值), 长度2500mm的不封闭电缆拖链, 配相应的拖链接头, 拖链型号: 35.75.100 拖链接头: 35.75.12PZ

Example: Non-closed cable chains: Inner height: 35mm, Inner width: 75mm, Bending radius: 100mm (R must be chosen from specifications), Length: 2500mm, with corresponding fixed connector. Type No. of the chain: 35.75.100; Fixed connector of the chain: 35.75. 12PZ

拖链订购指导 Guide To Order

- 标准方式(使用“m”或“mm”为长度单位)
例如: 内高35mm, 内宽75mm, 弯曲半径100mm, 长度2500mm的不封闭电缆拖链, 配相应的拖链接头可按如下方式填写: 35.75.100, 数量2500mm (2.5m), 配接头35.75.12PZ, 1套
- 按节订购方式(使用“节”为长度单位)
例如: 内高35mm, 内宽75mm, 弯曲半径100mm, 长度2500mm的全封闭电缆拖链, 配相应的拖链接头可按如下方式填写: 35C.75.100, 数量45节, 配相应接头 35C.75.12PZ, 1套
- Standard (“m” or “mm” as the unit of length)
Example: Non-closed cable chains: Inner height: 35mm, Inner width: 75mm, Bending radius: 100mm, Length: 2500mm, with corresponding fixed connector. Order as below: 35.75.100, Qtn: 2500mm(2.5m), corresponding connector: 35.75. 12PZ, Qtn: 1 set
- Order By Segments (“Segments” as the unit of length)
Example: Closed cable chains: Inner height: 35mm, Inner width: 75mm, Bending radius: 100mm, Length: 2500mm, with corresponding fixed connector. Order as below: 35C.75.100, Qtn: 45 segments, corresponding connector: 35C.75. 12PZ, Qtn: 1 set

拖链的选用原则 Principle of Choice To Chains

- 内高：选择内置电缆、油管、气管、水管等中最粗的一根作为参考高度，加上至少10%的高度空间作为拖链内高Hi.如果重叠按实际高度作为参考高度.
- 内宽：选择较粗的一些电缆、油管、气管、水管等，其外径之和作为拖链内宽的参考，并留有至少10%的宽度空间.
- 弯曲半径：选择内置电缆、油管、气管、水管中最大的弯曲半径作为参考值，并留有10%以上的空间.
- Inner height: Choose the thickest one among the built-in cables, oil pipes, air pipes, water pipes, etc. as the reference height, plus at least 10% of the height space as the inner height Hi of the drag chain. If overlapped, the actual height is used as the reference height.
- Inner width: Choose thicker cables, oil pipes, gas pipes, water pipes, etc., and the sum of their outer diameters is used as a reference for the inner width of the drag chain, and at least 10% of the width space is left.
- Bending radius: Choose the largest bending radius among the built-in cables, oil pipes, air pipes, and water pipes as the reference value, and leave more than 10% of the space.

拖链内置电缆、油管、水管、气管的放置原则

Principles For Placing Cables, Oil Pipes, Water Pipes, And Air Pipes Inside The Drag Chains

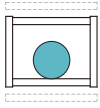
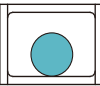
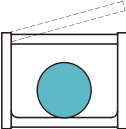
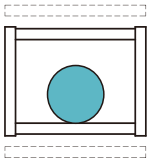
- 应该留有10%的剩余空间，让内置电缆、油管等可以自由活动，运行时在弯曲半径方向上对拖链不产生拉力.
- 直径差别大的导线应该分开铺设，重量平均分布，必要时可用分隔片分开.
- 在高速或高频率运行时，要尽量使导线在水平上相互分开，不要使之相互重叠，在电缆、气管、油管等较多的时候建议使用分隔片.
- There should be 10% residual room for free movement of inner cables and oil tubes without pulls to chains in the radius direction in operation.
- The wires that cover with big differences in diameter should be placed separately, and the weight should be distributed in average level. If necessary, they shall be separated by separators.
- When working at high speed or high frequency, try to separate the wires from each other horizontally and do not make them overlap each other. It is recommended to use separators when there are many cables, air pipes, oil pipes, etc.

电缆、软管 cables, tubings	预留空间 spare space
圆电缆 round cables	10%
扁平电缆 flat cable	10%
气管 gas tubes	5-10%
液压油管 hydraulic oil tubes	20%
其他管道 other tubes	15-20%

电缆拖链的安装 Installation of Cable Chains

- 将拖链接头按需要以正确的方向连接在拖链上，并将其固定在所需位置上;
- 使用适当的平头螺丝刀，垂直插入盖板两端的开启孔，打开盖板，将电缆、油管等按照我们的放置原则放入拖链，然后盖上盖板，此外，电线的固定端和活动端均应用去张力装置加以固定;
- 电缆拖链的打开、闭合、连接和拆卸请参考具体型号的安装说明;
- 在长距离滑动使用时，建议应使用导向槽. 导向槽的使用和安装请咨询我公司的专业人员;
- 在长距离滑动使用时，运动端三节拖链需反装;
- Fix the connectors to the chains in the right direction, and fix them depending on your needs.
- Use a suitable flat-head screwdriver to vertically insert the opening holes at both ends of the cover, open the cover, put the cables and tubing into the drag chain according to our placement principles, and then cover the cover. In addition, the fixed and movable ends of the wires are both fix with tension removing device.
- For the opening, closing, connection and disassembly of the cable chains, please refer to our installation instruction of each type.
- When sliding in long distance, the guide path is advised to be used. For the detailed information of its usage and installatio, please consult our professional technicians.
- When sliding in long distance, three segmental parts of the chains in the movable end should be installed in reverse direction.

文依电缆拖链快速选型 Quick View on Weyer Cable Chains

系列 Series	形式 Form	内高 Hi mm	最大电缆外径 Max cable ϕ mm	结构 Structure	内宽Bi mm	最大悬空长度 Max L m	最大运行长度 Max L m	
18SC	静音拖链	18	16		25, 37, 50	1		
26SC	Silent drag chains	26	23		40, 50, 75, 100 125, 150	2	100	
10	不封	10	8		10, 15	0.8		
15		15	13		20, 30	1.0		
18	18	16	25, 37, 50		1.2			
25	25	22	38, 57, 77, 103		1.9	70		
26	26	23	40, 50, 75, 100 125, 150		2.1	100		
35	Non-closed	35	32		50, 75, 100, 125 150, 175, 200, 250	2.4	140	
45		45	42		50, 75, 100, 125 150, 175, 200, 250	2.8	200	
60		60	56		75, 100, 125, 150 175, 200, 250, 300, 350,400	3.9	280	
80		80	74		100, 125, 150, 175 200, 250, 300, 350, 400	5.0	300	
26C		全封闭	26		23	40, 50, 75, 100 125, 150	2.1	100
35C			35		32	50, 75, 100, 125 150, 175, 200, 250	2.3	140
45C	45		42	50, 75, 100, 125 150, 175, 200, 250	2.8	200		
60C	60		56	75, 100, 125, 150 175, 200, 250, 300	3.9	280		

静音拖链简介 The Introduction of Mute Drag Chains

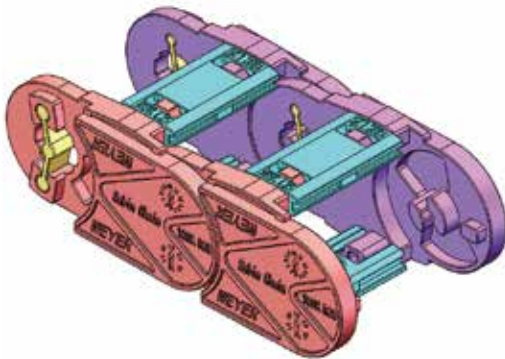
静音拖链相比普通拖链，在结构上做了优化，通过V字型的静音拖链中心轴，将节板与节板、节板与接头连接在一起。静音拖链中心轴采用耐折弯、耐磨且强度较好的软性材料，使整个拖链在运行过程中，先是静音拖链中心轴与节板、接头的平面碰触，从而降低了运行过程中的噪音。同时，静音拖链减小了拖链节板之间的节距，增加了线速度，保证了拖链的高速运行。

Compared with the ordinary drag chain, the mute drag chain is optimized in structure. It is connected between two section boards and the section board and the joint through the V-shaped mute drag chain central axis. The central axis of the mute drag chain adopts soft materials with bending resistance, wear resistance and good strength, so that the central axis of the silent drag chain touches the plane of the joint plate and the joint when the entire drag chain is in the running process, thereby reducing the operation noise during the process. At the same time, the mute drag chain reduces the pitch between the drag chain boards, increases the line speed, and ensures the high speed operation of the drag chain.



两节组装效果图

Design Sketch For Two Segments



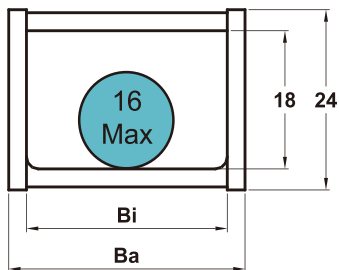
成套组装效果图

Design Sketch For Two Sets



18SC系列静音拖链 - 双侧可打开 18SC Series - Both Sides Can Be Opened

主要技术参数 Basic Technical Data



内高 Inner Height(mm) :	18
最大允许电缆外径(mm) :	16
Max Outer Diameter of Cable	
节距 T Pitch(mm) :	29.5(每米34节)(34 segments/m)
最大水平悬空长度(m) :	1
Max Horizontal Hanging Length	
可选弯曲半径R(mm):	38、50、75
Optional Bending Radius	

应用场合 Application:

可用于负载较轻, 中短距离, 低速、低噪运动等场合。

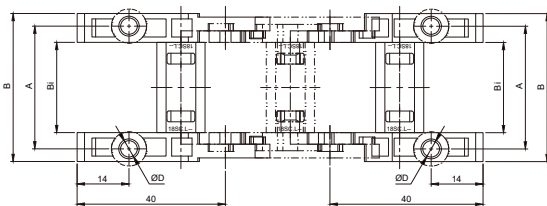
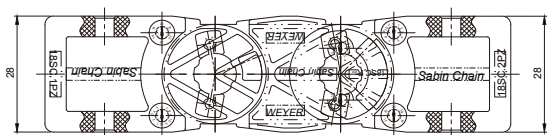
It can be used for light load, medium and short distance, low speed, low noise and other occasions.

拖链型号 Type	内宽 Inner Width Bi(mm)	外宽 Outer Width Ba(mm)	对应固定接头型号 Type of according Fixed Connector	A (mm)	B (mm)	ΦD (mm)
18SC.25.R	25	39	18SC.25.12PZ	41	34	4.5
18SC.37.R	37	51	18SC.37.12PZ	53	46	4.5
18SC.50.R	50	64	18SC.50.12PZ	66	59	4.5

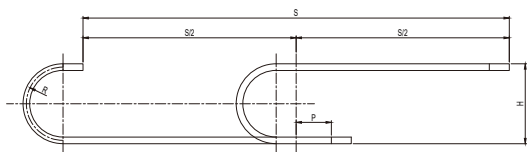
**：订购时, 必须从可选弯曲半径R中选择合适的、确切的数值

The detailed value of R must be chosen from the dimensions

安装示意图 Delineation Of Installation



拖链安装接头
Connector of the chain

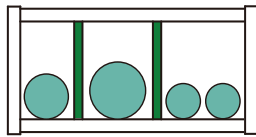
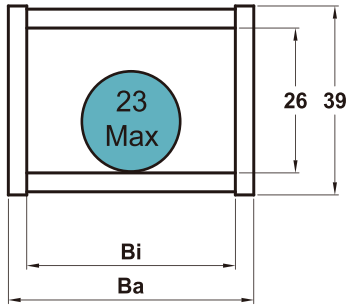


拖链长度 $L = S/2 + \pi R + K$ (安装余量)
Length of chains: $L = S/2 + \pi R + K$ (spare space)
 $K = P + (2 \sim 3)T$



26SC系列静音拖链 - 双侧可打开 26SC Series - Both Sides Can Be Opened

主要技术参数 Basic Technical Data



分隔片
Separator

内高 Inner Height(mm) :	26
最大允许电缆外径(mm) :	23
Max Outer Diameter of Cables	
节距 T Pitch(mm) :	38(每米26节)(26 segments/m)
最大水平悬空长度(m) :	2
Max Horizontal Hanging Length	
最大允许行程	100
Max Working Distance(m):	
最大允许垂直悬挂	40
Max Vertical Hanging(m):	
可选弯曲半径R(mm):	50、75、100、125、150、200、250、
Optional Bending Radius	

应用场合 Application:

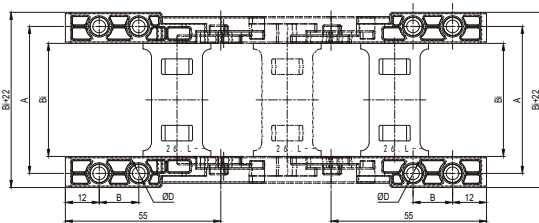
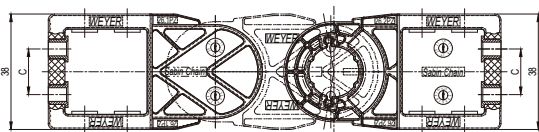
可用于负载较重, 中长距离, 高速、低噪运动等场合。

It can be used for heavy loads, medium and long distance, high speed, low noise and other occasions.

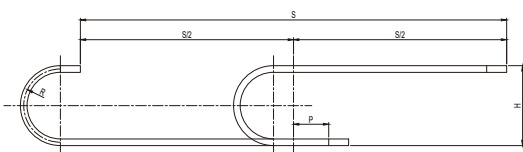
拖链型号 Type	内宽 Inner Width Bi(mm)	外宽 Outer Width Ba(mm)	对应固定接头型号 Type of according Fixed Connector	A (mm)	B (mm)	C (mm)	ΦD (mm)
26SC.40.R	40	59	26SC.40.12PZ	52	14	15	4.5
26SC.50.R	50	69	26SC.50.12PZ	62	14	15	4.5
26SC.75.R	75	94	26SC.75.12PZ	87	14	15	4.5
26SC.100.R	100	119	26SC.100.12PZ	112	14	15	4.5
26SC.125.R	125	144	26SC.125.12PZ	137	14	15	4.5
26SC.150.R	150	169	26SC.150.12PZ	162	14	15	4.5

** : 订购时, 必须从可选弯曲半径R中选择合适的、确切的数值
The detailed value of R must be chosen from the dimensions

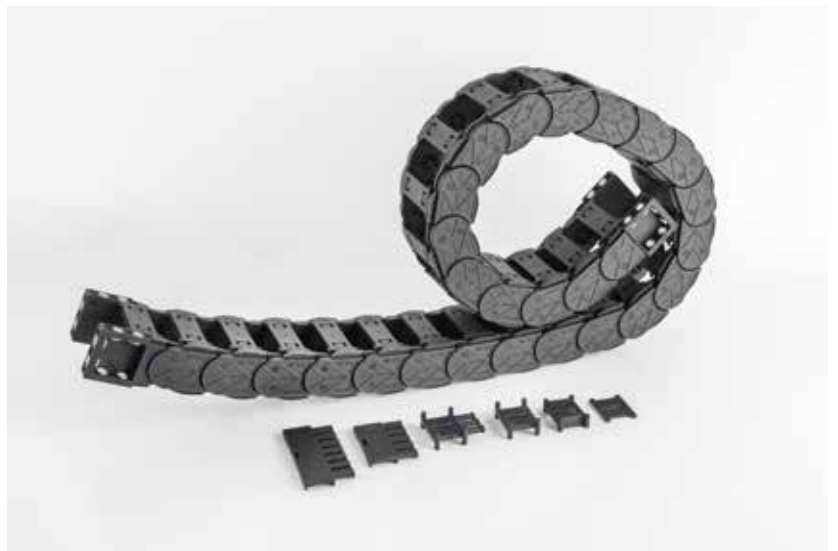
安装示意图 Delineation Of Installation



拖链示意图
Delineation of cable chain



拖链长度 $L=S/2+\pi R+K$ (安装余量)
Length of chains: $L=S/2+\pi R+K$ (spare space)
 $K=P+(2\sim 3)T$



可选附件 Optional Accessories:

竖隔片 Vertical Separator : 26.01VS/26.02VS/26.03VS/26.04VS

横隔片 Shelf: 35.SL50/35.SL75/35.SL100

静音拖链安装和拆卸 Silent Drag Chains Assembly And Disassembly

四面均可打开,可从上面或下面直接将电缆、气管、油管等放置进拖链内部。

It can be opened on all sides, and cables, air pipes, oil pipes, etc. can be placed directly into the inside of the chain from above or below.



打开盖板:

用平头螺丝刀以45°斜度插入盖板左侧的上面的间隙,往上撬开盖板左侧。

Open the cover:
Insert with a flathead screwdriver at a 45° pitch to the upper gap on the left side of the cover.
Open the left side of the cover.



打开盖板:

然后用平头螺丝刀以45°斜度插入盖板右侧的上面的间隙,往上撬开盖板右侧。

Open the cover:
Insert with a flathead screwdriver at a 45° pitch to the upper gap on the right side of the cover.
Open the right side of the cover.



安装盖板:

将盖板如图所示,倾斜45°紧靠在拖链两侧板的卡口上。

Install the cover:
Place the cover as shown in the picture, tilting 45° close to the mounts on both sides of the chain. Then firmly press the upper part of the cover. Rotate the cover into the slot. If it is tight, you can knock it in with a rubber hammer.



安装盖板:

然后用力按住盖板上部,使盖板旋转进入卡槽中,如较紧的话,可用橡胶锤敲进去。

Drag chain connection:
Open the upper and lower covers and the covers beside of the related side plate. Put the two ends together and put the two side plate pin into its slot.



拖链连接:

将内侧销轴端侧板上下两个盖板及相邻的一个盖板打开,再将两头对在一起,分别将两个侧板销轴推入孔中即可。
注意:需确认外侧两端已装有静音拖链中心轴。

Drag chain connection:
Open the two upper and lower cover plates of the inner pin end side plate and the adjacent one, and then put the two ends together, and push the two side plate pins into the holes respectively.
Note: It is necessary to confirm that a silent drag chain central axis is installed into the outer two holes.



拖链连接:

依次将安装三个盖板,即可完成安装。

In last, three covers will be installed in sequence. The installation is complete.



拖链拆分:

将连接处上下三个盖板打开,在链节与链节之间用平头螺丝刀往外撬,使销与孔分离。

Drag chain disassembly:
Open the upper and lower covers of the joint, turn outwards the chain link and the chain by using a flat-head screw to separate the pin from the hole. Then pull hard on the outside to separate the links.



拖链拆分:

然后用力往外扳,使链节分离。

Chain Separation:
Then, switch out the two segments outward with hands



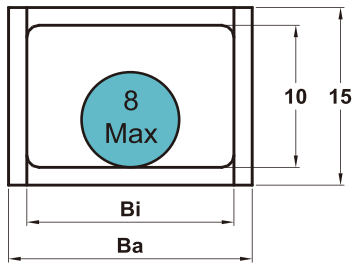
装拆接头:

与拖链的装拆一样。

Connector Separation:
The way is as the same as chain

微型10系列-不能打开 Minitype 10 Series-Can Not Be Opened

主要技术参数 Basic technical data

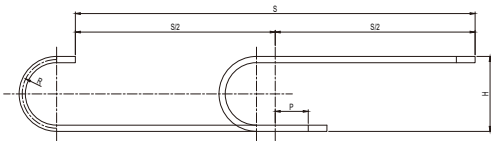


内高 Inner Height(mm) :	10
最大允许电缆外径(mm) :	8
Max Outer Diameter of Cables	
节距 T Pitch(mm) :	20 (每米50节) (50 segments/m)
最大水平悬空长度(m) :	0.8
Max Horizontal Hanging Length	
可选弯曲半径R(mm):	18、28、38
Optional Bending Radius	

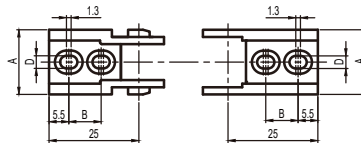
拖链型号 Type	内宽 Inner width Bi(mm)	外宽 Outer width Ba(mm)	对应固定接头型号 Type of according fixed connector	A (mm)	B (mm)	ΦD (mm)
10.10.R	10	18	10.10.12PZ	18	9	3.5
10.15.R	15	24	10.15.12PZ	24	9	3.5

** : 订购时, 必须从可选弯曲半径R中选择合适的、确切的数值
The detailed value of R must be chosen from the dimensions

安装示意图 Delineation Of Installation



拖链长度 $L = S/2 + \pi R + K$ (安装余量)
Length of chains: $L = S/2 + \pi R + K$ (spare space)
 $K = P + (2 \sim 3)T$

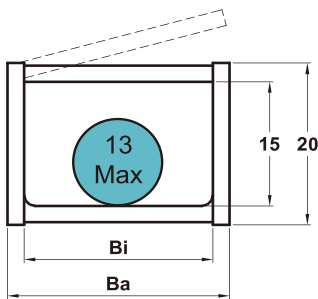


拖链安装接头
Connector of the chain



微型15系列-单面打开 Minitype 15 Series-One Side Can Be Opened

主要技术参数 Basic technical data

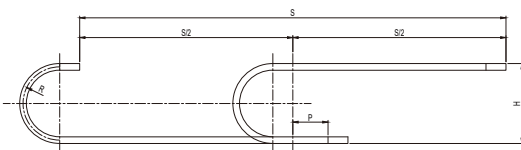


内高 Inner Height(mm) :	15
最大允许电缆外径(mm) :	13
Max Outer Diameter of Cable	
节距 T Pitch(mm) :	26.5 (每米38节) (38 segments/m)
最大水平悬空长度(m) :	1.0
Max Horizontal Hanging Length	
可选弯曲半径R(mm):	28、38、50
Optional Bending Radius	

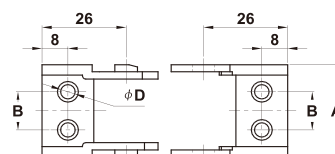
拖链型号 Type	内宽 Inner width Bi(mm)	外宽 outer width Ba(mm)	对应固定接头型号 Type of according fixed connector	A (mm)	B (mm)	ΦD (mm)
15.20.R	20	29	15.20.12PZ	29	12	4.5
15.30.R	30	40	15.30.12PZ	40	24	4.5

** : 订购时, 必须从可选弯曲半径R中选择合适的、确切的数值
The detailed value of R must be chosen from the dimensions

安装示意图 Delineation Of Installation



拖链长度 $L = S/2 + \pi R + K$ (安装余量)
Length of chains: $L = S/2 + \pi R + K$ (spare space)
 $K = P + (2 \sim 3)T$

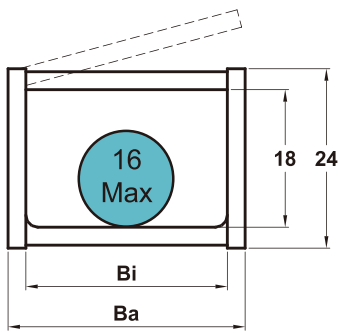


拖链安装接头
Connector of the chain



18系列-内侧可打开 18 Series-Inner Side Can Be Opened

主要技术参数 Basic technical data



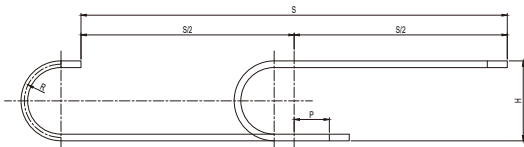
内高 Inner Height(mm) :	18
最大允许电缆外径(mm) :	16
Max Outer Diameter of Cable	
节距 T Pitch(mm) :	33.5(每米30节)(30 segments/m)
最大水平悬空长度(m) :	1.2
Max Horizontal Hanging Length	
可选弯曲半径R(mm):	38、50、75、
Optional Bending Radius	
应用场合 Application:	
可应用于负载较轻, 中短距离, 低速运动等场合	
Applied in the condition of light load, medium or short distance, slow speed, etc,	



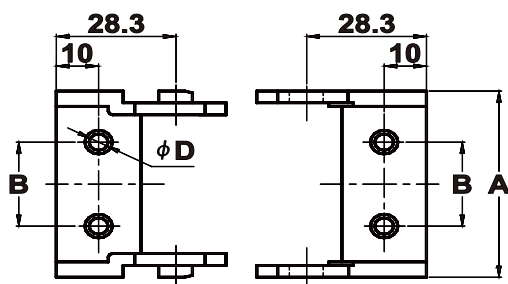
拖链型号 Type	内宽 Inner width Bi(mm)	外宽 Outer width Ba(mm)	对应固定接头型号 Type of according fixed connector	A (mm)	B (mm)	ΦD (mm)
18.25.R	25	36	18.25.12PZ	36	15	4.5
18.37.R	37	49	18.37.12PZ	49	25	4.5
18.50.R	50	63	18.50.12PZ	63	35	4.5

**：订购时，必须从可选弯曲半径R中选择合适的、确切的数值
The detailed value of R must be chosen from the dimensions

安装示意图 Delineation Of Installation



拖链长度 $L=S/2+\pi R+K$ (安装余量)
Length of chains: $L=S/2+\pi R+K$ (spare space)
 $K=P+(2\sim 3)T$

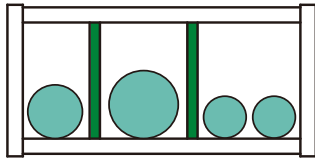
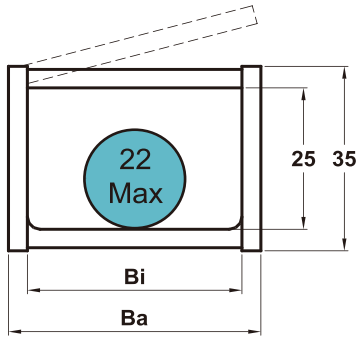


拖链安装接头
Connector of the chain



25不封闭系列-内侧可打开 25Non-Closed Series-Inner Side Can Be Opened

主要技术参数 Basic technical data



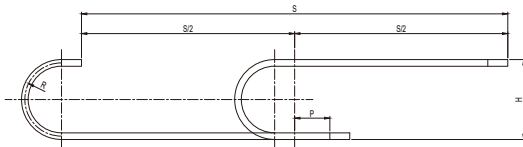
分隔片
Separator

内高 Inner Height(mm) :	25
最大允许电缆外径(mm) :	22
Max Outer Diameter of Cable	
节距 T Pitch(mm) :	46(每米22节)(22 segments/m)
最大水平悬空长度(m) :	1.9
Max Horizontal Hanging Length	
最大允许行程	70
Max Travel Distance(m):	
最大允许垂直悬挂	30
Max Vertical Hanging(m):	
可选弯曲半径R(mm):	55、75、100、125、150、200、250
Optional Bending Radius	
应用场合 Application:	
可应用于负载较轻, 中短距离, 低速运动等场合	
Applied in the condition of light load, medium or short distance, slow speed, etc	

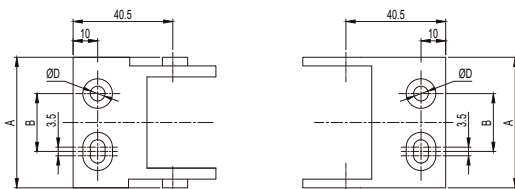
拖链型号 Type	内宽 Inner width Bi(mm)	外宽 Outer width Ba(mm)	对应固定接头型号 Type of according fixed connector	A (mm)	B (mm)	ΦD (mm)
25.38.R	38	54	25.38.12PZ	54	23.5	6
25.57.R	57	73	25.57.12PZ	73	43.5	6
25.77.R	77	93	25.77.12PZ	93	61.5	6
25.103.R	103	119	25.103.12PZ	119	86.5	6

** :订购时, 必须从可选弯曲半径R中选择合适的、确切的数值
The detailed value of R must be chosen from the dimensions

安装示意图 Delineation Of Installation



拖链长度 $L = S/2 + \pi R + K$ (安装余量)
Length of chains: $L = S/2 + \pi R + K$ (spare space)
 $K = P + (2 \sim 3)T$



拖链安装接头
Connector of the chain



可选附件 optional accessories:
隔片 Separator: 25.01VS

25系列及以下规格拖链的安装和拆卸

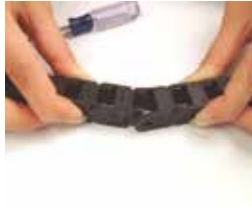
Installation and Disassembly method of 25 Series and Below

10系列拖链不可打开安装, 电缆, 气管等必须从起始端开始穿线至终端;

10 series cannot be opened during installation; cable and gas tube etc, must be threaded from the starting end to the terminal.



电缆放置:
电缆只能从头往后穿
Cable placement:
Put the cables through
the chain



拖链连接:
两头对在一起, 用力将销
推入孔中即可
Chain Connection:
Insert one end of the segment
into another opposite end of
segment



拖链拆分:
在链节与链节之间用平头螺
丝刀往外撬, 使销与孔分离
Chain Separation:
Separate the segments with
screwdriver until the punch hole
ate apart from the convex point



拖链拆分:
然后用力往外扳, 使链节
分离
Chain Separation:
Then, switch out the two segments
outward with



装拆接头:
与拖链的装拆一样
Connector Separation:
The way is as the same as chain

15、18系列拖链单面可打开安装, 电缆, 气管等可以直接放置进拖链内部;

15、18 series can be opened by one side during installation, cable and gas tube etc. can be put into the internal part of the chain directly.



打开横杆:
用平头螺丝刀从侧面插入搭
扣下的间隙, 往上撬, 使搭扣
脱离
Open rail:
Open one side of cover board
from the body with screwdriver



布线:
将横杆旋转至极限位置, 即可将
电缆等直接放入拖链内
Cable Position:
Put the cables into the chain slot



闭合横杆:
旋转横杆, 用手指直接将横杆的
搭扣压入卡槽中
Closed rails:
Close the cover board and the body
with hand



拖链的连接:
两头对在一起, 用力将销推入孔
中即可
Chain Connection:
Insert one end of the segment into
another opposite end of segment



拖链拆分:
在链节与链节之间用平头螺
丝刀往外撬, 使销与孔分离
Chain Separation:
Separate the one side connect
part of two segments by using
screwdriver

25系列拖链可单面打开安装, 电缆, 气管等可以直接放置进拖链内部;

25 series can be opened by one side during installation, cable and gas tube etc. can be put into the internal part of the chain directly.



打开横杆:
用平头螺丝刀插入横杆左侧的间隙, 向
侧面用力往上撬开横杆的左侧
Open the left side of cover board from the
body with screwdriver



打开横杆:
然后用平头螺丝刀插入横杆右侧的
间隙, 向侧面用力往上撬开横杆的右侧
Open the right side of cover board from the
body with screwdriver



闭合横杆:
水平将横杆放在拖链体如图位置上, 用
手指将横杆左端压入卡槽中
Connect the left cover board and the body
with hand



闭合横杆:
然后用手指将横杆右端压入卡槽中
Connect the right cover board and the body
with hand



拖链连接:
两头对在一起, 用力将销推入孔中即可
Chain Connection:
Insert one end of the segment into another
opposite end of segment



拖链拆分:
在链节与链节之间用平头螺丝刀往外撬,
使销与孔分离
Chain Separation:
Separate the segments with screwdriver until
the punch hole are apart from the convex
point



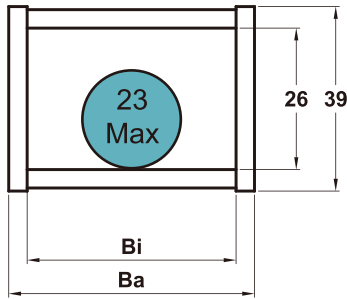
拖链拆分:
然后用力往外扳, 使链节分离
Chain Separation:
Then, switch out the two segments
with hands



装拆接头:
与拖链的装拆一样
Connector Separation:
The way is as the same as chain

26不封闭系列-双面可打开 Non-Closed Series-Both Sides Can Be Opened

主要技术参数 Basic technical data

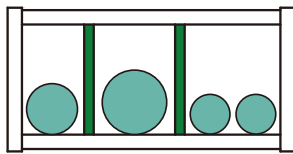


内高 Inner Height(mm) :	26
最大允许电缆外径(mm) :	23
Max Outer Diameter of Cable	
节距 T Pitch(mm) :	46(每米22节)(22 segments/m)
最大水平悬空长度(m) :	2.1
Max Horizontal Hanging Length	
最大允许行程	100
Max Travel Distance(m):	
最大允许垂直悬挂	40
Max Vertical Hanging(m):	
可选弯曲半径R(mm):	60、75、100、125、150、200、250
Optional Bending Radius	

应用场合 Application:

可应用于负载较重, 中长距离, 高速运动, 环境恶劣等场合

Applied in the condition of heavy load, medium or long distance, top speed movement, bad environment etc.



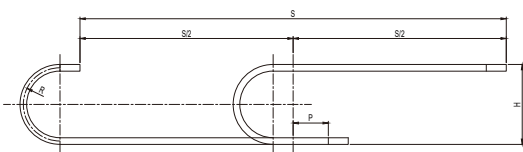
分隔片
Separator

拖链型号 Type	内宽 Inner width Bi(mm)	外宽 Outer width Ba(mm)	对应固定接头型号 Type of according fixed connector	A (mm)	B (mm)	C (mm)	ΦD (mm)
26.40.R	40	58	26.40.12PZ	52	14	15	6
26.50.R	50	68	26.50.12PZ	62	14	15	6
26.75.R	75	93	26.75.12PZ	87	14	15	6
26.100.R	100	118	26.100.12PZ	112	14	15	6
26.125.R	125	143	26.125.12PZ	137	14	15	6
26.150.R	150	168	26.150.12PZ	162	14	15	6

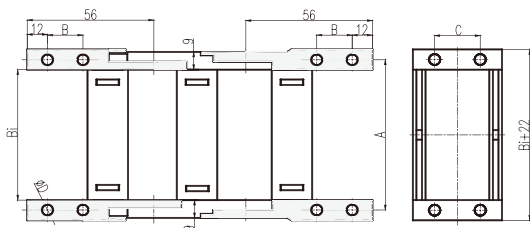
** : 订购时, 必须从可选弯曲半径R中选择合适的、确切的数值

The detailed value of R must be chosen from the dimensions

安装示意图 Delineation Of Installation



拖链长度 $L = S/2 + \pi R + K$ (安装余量)
Length of chains: $L = S/2 + \pi R + K$ (spare space)
 $K = P + (2 \sim 3)T$



拖链示意图
Delineation of cable chain



可选附件 Optional Accessories:

竖隔片 vertical separator : 26.01VS/26.02VS/26.03VS/26.04VS

横隔片 Shelf : 35.SL50/35.SL75/35.SL100

梳状板 Tiewrap Plate : SZB26-50M/SZB26-75M

26系列拖链附件参数 26 Parameters of Drag Chain Accessories

26系列附件: 26 Series Accessories

竖隔片 Separator

•功能:

竖隔片是安装在拖链内部, 以上下盖板为固定位置, 主要作用是分隔开左右两侧的电缆。

Function: Separate the cables on the left and right sides

•使用说明:

26.01VS无隔片扣位, 与盖板采用过盈配合, 在需要对隔片位置进行微调时, 可不用拆卸盖板, 只用施加较大的力即可, 方便安装满足客户多种需求; 可以适配横隔片, 横隔片可以从26.01VS中穿过。

Instructions: 26.01VS has no spacer buckle, and it adopts interference fit with the cover plate. When the spacer position needs to be fine-tuned, the cover plate does not need to be disassembled, and only a large force can be applied, which is convenient for installation and meets the needs of customers. It can adapt to the shelf, and the shelf can pass through 26.01vs.

26.02VS 通过中间的扣位安装固定横隔片, 通过上下扣位固定在拖链盖板上, 必须要紧靠节板内侧。

26.02VS installs and fixes the shelf through the buckle in the middle, and fixes it on the drag chain cover by the upper and lower buckles, and must be close to the inner side of the section plate.

26.03VS通过隔片的上下扣位与盖板槽位配合固定在拖链盖板上, 中间扣位用于连接固定两件或多件横隔片, 横隔片不能从26.03VS中穿过, 增加横隔片时需要配合26.02VS一起使用;

26.03VS is fixed on the drag chain cover through the upper and lower buckles of the spacer and the cover slot. The middle buckle is used to connect and fix two or more shelves. The shelf cannot pass through 26.03VS. When adding a shelf, it needs to be used with 26.02VS.

26.04VS安装固定方式与26.03VS相同, 在具有和26.03VS相同功能同时, 26.04VS 因为存在梳齿, 电缆可以通过扎带方便的固定在梳齿上, 起到固定电缆去除应力作用。

26.04VS is installed and fixed in the same way as 26.03VS. It has the same functions as 26.03VS. Because of the teeth of 26.04VS, the cable can be easily fixed on the teeth with a cable tie, which plays a role in fixing the cable to remove stress.



26.01VS

26.02VS

26.03VS

26.04VS



26.01VS 安装示意图



26.02VS 安装示意图



26.03VS 安装示意图



26.04VS 安装示意图

横隔片 Shelf (通用35系列横隔片)

•使用说明:

横隔片应与26.01VS、26.02VS、26.03VS、26.04VS竖隔片配合使用; 当横隔片的长度不满足需求时, 可以选择两件或多件横隔片配合竖隔片一起使用 (选择26.03VS或者26.04VS连接固定)。

Instructions: Shelves should be used in conjunction with 26.01VS, 26.02VS, 26.03VS, 26.04VS separators; when the length of the shelves does not meet the requirements, you can choose two or more shelves to be used together with the separators (choose 26.03VS or 26.04VS to fix the connection).



35.SL50

35.SL75

35.SL100

梳状板 Tiewrap Plate

•功能:

梳状板主要是安装在封闭拖链盖板上, 电缆可通过扎带很方便的固定在梳齿上, 起固定电缆、去除应力的作用。

Function: The Tiewrap Plate is mainly installed on the cover plate of the unclosed drag chain, and the cable can be easily fixed on the teeth with a cable tie to fix the cable and remove the stress.



SZB26-50M

SZB26-75M

说明:

26系列在水平向上, 由于其高度的原因, 目前只能上下分两层。

26系列在竖直方向上, 根据盖板的长度及客户的需求不同, 隔开的部分而不同, 但由于横隔片的长度的限制, 目前隔开部分的宽度可以为50mm、75mm。

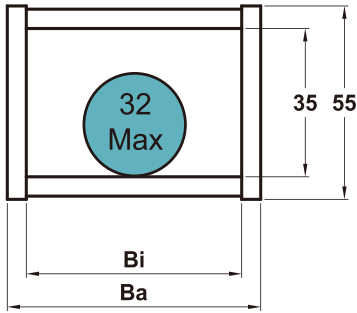
26系列拖链可以同时水平及竖直方向隔开, 已达到客户的需求, 具体隔开尺寸可以参考水平方向及竖直方向。

Note:

1. The 26 series chains can only be divided into two layers due to its height in its horizontal direction.
2. Different separation figuration can be done as per customer's request. But due to the length of the cover, now we only have 50mm and 75mm width separator.
3. Customer can use both separator and shelf to arrange the vertical and horizontal separation

35不封闭系列-双面可打开 Non-Closed Series-Both Sides Can Be Opened

主要技术参数 Basic technical data

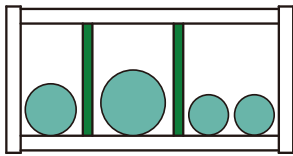


内高 Inner Height(mm) :	35
最大允许电缆外径(mm) :	32
Max Outer Diameter of Cable	
节距 T Pitch(mm) :	56(每米18节)(18 segments/m)
最大水平悬空长度(m) :	2.4
Max Horizontal Hanging Length	
最大允许行程	140
Max Travel Distance(m):	
最大允许垂直悬挂	50
Max Vertical Hanging(m):	
可选弯曲半径R(mm):	75、100、125、150、200、250、300
Optional Bending Radius	

应用场合 Application:

可应用于负载较重, 长距离, 高速运动, 环境恶劣等场合

Applied in the condition of heavy load, long distance, top speed movement, bad environment etc.



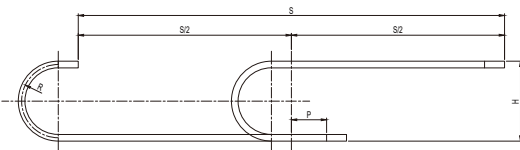
分隔片
Separator

拖链型号 Type	内宽 Inner width Bi(mm)	外宽 Outer width Ba(mm)	对应固定接头型号 Type of according fixed connector	A (mm)	B (mm)	C (mm)	ΦD (mm)
35.50.R	50	74	35.50.12PZ	65	22.5	22	5.5
35.75.R	75	99	35.75.12PZ	90	22.5	22	5.5
35.100.R	100	124	35.100.12PZ	115	22.5	22	5.5
35.125.R	125	149	35.125.12PZ	140	22.5	22	5.5
35.150.R	150	174	35.150.12PZ	165	22.5	22	5.5
35.175.R	175	199	35.175.12PZ	190	22.5	22	5.5
35.200.R	200	224	35.200.12PZ	215	22.5	22	5.5
35.250.R	250	274	35.250.12PZ	265	22.5	22	5.5

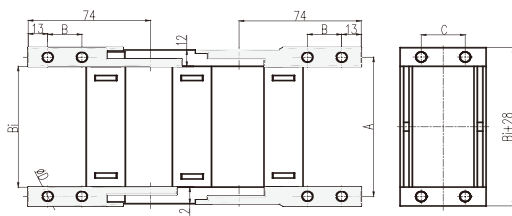
** : 订购时, 必须从可选弯曲半径R中选择合适的、确切的数值

The detailed value of R must be chosen from the dimensions

安装示意图 Delineation Of Installation



拖链长度 $L = S/2 + \pi R + K$ (安装余量)
Length of chains: $L = S/2 + \pi R + K$ (spare space)
 $K = P + (2 \sim 3)T$



拖链示意图
Delineation of cable chain



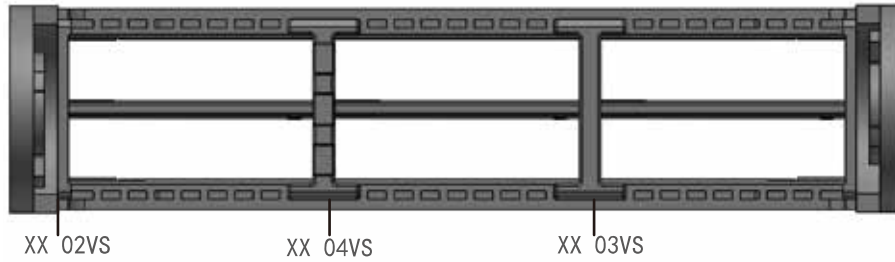
可选附件 Optional Accessories:

竖隔片 vertical separator : 35.01VS/35.02VS/35.03VS/35.04VS

横隔片 Shelf : 35.SL50/35.SL75/35.SL100

梳状板 Tiewrap Plate : SZB35-50M/SZB35-75M/SZB35-100M

35系列拖链附件参数 35 Series Parameters of Drag Chain Accessories



35系列附件: 35 Series Accessories

竖隔片 Separator

• 功能:

竖隔片是安装在拖链内部,以拖链上下盖板为固定位置,主要作用是分隔开左右两侧的电缆。

Function: Separate the cables on the left and right sides

• 使用说明:

请参考26系列拖链附件竖隔片参数。(注:当选配横隔片时35.01VS不能使用,横隔片不能从35.01VS中穿过)。

Instructions: Please refer to the parameters of the separators of the 26 series drag chain accessories.
(Note: 35.01VS cannot be used when the shelf is selected, and the shelf cannot be passed through 35.01VS).



35.01VS

35.02VS

35.03VS

35.04VS

横隔片 Shelf (35系列横隔片)

• 功能:

横隔片是安装在竖隔片上,主要作用是分隔开上下方向的电缆。

Function: The shelf is installed on the separator, and its main function is to separate the cables in the up and down direction.

• 使用说明:

请参考26系列拖链附件横隔片参数,横隔片应与35.02VS、35.03VS、35.04VS竖隔片配合使用。

Instructions: Please refer to the parameters of the 26 series drag chain accessory shelf. The shelf should be used in conjunction with the 35.02VS, 35.03VS, and 35.04VS separators.



35.SL50

35.SL75

35.SL100

梳状板 Tiewrap Plate

• 功能:

梳状板主要是安装在非封闭拖链盖板上,电缆可通过扎带很方便的固定在梳齿上,起固定电缆、去除应力的作用。

Function: The tiewrap plate is mainly installed on the cover plate of the unclosed drag chain, and the cable can be easily fixed on the teeth with a cable tie to fix the cable and remove the stress.



SZB35-50M

SZB35-75M

SZB35-100M

说明:

35系列在水平方向上,由于其高度的原因,目前只能最多三层

35系列在竖直方向上,根据盖板的长度及客户的需求不同,隔开的部分而不同,但由于隔横片的长度的限制,目前隔开部分的宽度可以为50mm、75mm、100mm。

35系列拖链可以同时水平及竖直方向隔开,已达到客户的需求,具体隔开尺寸可以参考水平方向及竖直方向。

Note:

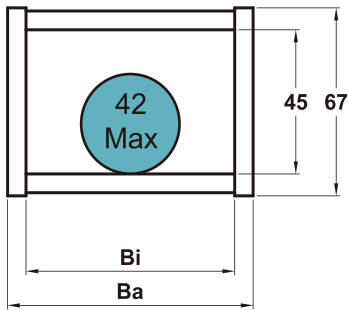
1. The 35 series chains can only be divided into Three layers due to its height in its horizontal direction.

2. Different separation figuration can be done as per customer's request. But due to the length of the cover, now we only have 50mm、75mm and 100mm width separator.

3. Customer can use both separator and shelf to arrange the vertical and horizontal separation

45不封闭系列-双面可打开 Non-Closed Series-Both Sides Can Be Opened

主要技术参数 Basic technical data

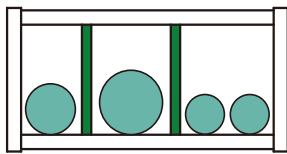


内高 Inner Height(mm) :	45
最大允许电缆外径(mm) :	42
Max Outer Diameter of Cable	
节距 T Pitch(mm) :	67(每米15节)(15 segments/m)
最大水平悬空长度(m) :	2.8
Max Horizontal Hanging Length	
最大允许行程	200
Max Travel Distance(m):	
最大允许垂直悬挂	70
Max Vertical Hanging(m):	
可选弯曲半径R(mm):	75、100、125、150、200、250、300
Optional Bending Radius	

应用场合 Application:

可应用于负载较重, 长距离, 高速运动, 环境恶劣等场合

Applied in the condition of heavy load, long distance, top speed movement, bad environment etc.



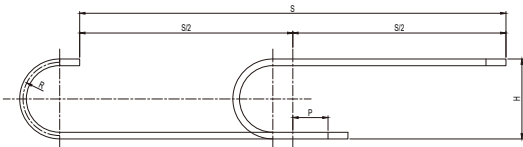
分隔片
Separator

拖链型号 Type	内宽 Inner width Bi(mm)	外宽 Outer width Ba(mm)	对应固定接头型号 Type of according fixed connector	A (mm)	B (mm)	C (mm)	ΦD (mm)
45.50.R	50	78	45.50.12PZ	67	22.5	22	6.5
45.75.R	75	103	45.75.12PZ	92	22.5	22	6.5
45.100.R	100	128	45.100.12PZ	117	22.5	22	6.5
45.125.R	125	153	45.125.12PZ	142	22.5	22	6.5
45.150.R	150	178	45.150.12PZ	167	22.5	22	6.5
45.175.R	175	203	45.175.12PZ	192	22.5	22	6.5
45.200.R	200	228	45.200.12PZ	217	22.5	22	6.5
45.250.R	250	278	45.250.12PZ	267	22.5	22	6.5

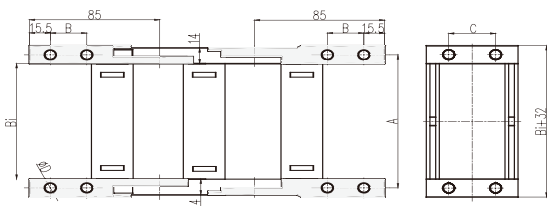
** : 订购时, 必须从可选弯曲半径R中选择合适的、确切的数值

The detailed value of R must be chosen from the dimensions

安装示意图 Delineation Of Installation



拖链长度 $L = S/2 + \pi R + K$ (安装余量)
Length of chains: $L = S/2 + \pi R + K$ (spare space)
 $K = P + (2 \sim 3)T$



拖链示意图
Delineation of cable chain



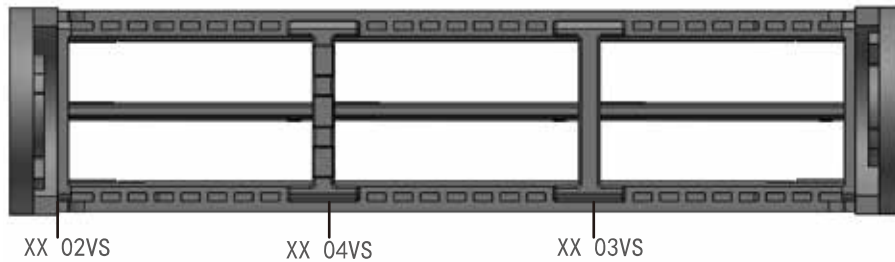
可选附件 Optional Accessories:

竖隔片 vertical separator : 45.01VS/45.02VS/45.03VS/45.04VS

横隔片 Shelf : 35.SL50/35.SL75/35.SL100

梳状板 Tiewrap Plate : SZB35-50M/SZB35-75M/SZB35-100M

45系列拖链附件参数 45 Series Parameters of Drag Chain Accessories



45系列附件:45 Series Accessories

竖隔片 Separator

• 功能:

竖隔片是安装在拖链内部,以拖链上下盖板为固定位置,主要作用是分隔开左右两侧的电缆。

Function: The separator is installed inside the drag chain, with the upper and lower covers of the drag chain as a fixed position, and its main function is to separate the cables on the left and right sides.



45.01VS

45.02VS

45.03VS

45.04VS

• 使用说明:

请参考26系列拖链附件竖隔片参数。(注:当选配横隔片时45.01VS不能使用,横隔片不能从45.01VS中穿过)

Instructions: Please refer to the parameters of the separators of the 26 series drag chain accessories. (Note: 45.01VS cannot be used when the shelf is selected, and the shelf cannot be passed through 45.01VS)

横隔片 Shelf (通用35系列横隔片)

• 功能:

横隔片是安装在竖隔片上,主要作用是分隔开上下方向的电缆。

Function: The shelf is installed on the separator, and its main function is to separate the cables in the up and down direction.



35.SL50

35.SL75

35.SL100

• 使用说明:

请参考26系列拖链附件横隔片参数,横隔片应与45.02VS、45.03VS、45.04VS竖隔片配合使用。

Instructions: Please refer to the parameters of the 26 series drag chain accessory shelf. The shelf should be used in conjunction with the 45.02VS, 45.03VS, and 45.04VS separators.

梳状板 Tiewrap Plate

• 功能:

梳状板主要是安装在非封闭拖链盖板上,电缆可通过扎带很方便的固定在梳齿上,起固定电缆、去除应力的作用。



SZB35-50M

SZB35-75M

SZB35-100M

Function: The tiewrap plate is mainly installed on the cover plate of the unclosed drag chain, and the cable can be easily fixed on the teeth with a cable tie to fix the cable and remove the stress.

说明:

45系列在水平向上,由于其高度的原因,目前只能最多三层

45系列在竖直方向上,根据盖板的长度及客户的需求不同,隔开的部分而不同,但由于横隔片的长度的限制,目前隔开部分的宽度可以为50mm、75mm、100mm。

45系列拖链可以同时水平及竖直方向隔开,已达到客户的需求,具体隔开尺寸可以参考水平方向及竖直方向。

Note:

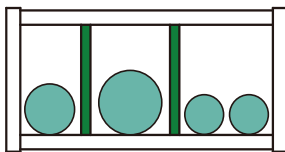
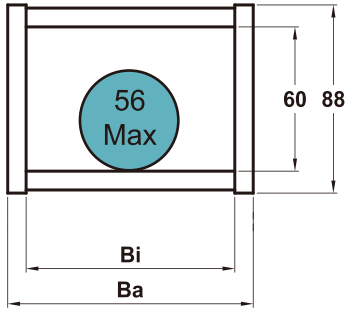
1. The 45 series chains can only be divided into Three layers due to its height in its horizontal direction.

2. Different separation figuration can be done as per customer's request. But due to the length of the cover, now we only have 50mm、75mm and 100mm width separator.

3. Customer can use both separator and shelf to arrange the vertical and horizontal separation

60不封闭系列-双面可打开 Non-Closed Series-Both Sides Can Be Opened

主要技术参数 Basic technical data



分隔片
Separator

内高 Inner Height(mm) :	60
最大允许电缆外径(mm) :	56
Max Outer Diameter of Cable	
节距 T Pitch(mm) :	91(每米11节)(11 segments/m)
最大水平悬空长度(m) :	3.9
Max Horizontal Hanging Length	
最大允许行程	280
Max Travel Distance(m):	
最大允许垂直悬挂	70
Max Vertical Hanging(m):	
可选弯曲半径R(mm):	100、125、150、200、250、300、350、400、500
Optional Bending Radius	

应用场合 Application:

可应用于负载较重, 长距离, 高速运动, 环境恶劣等场合

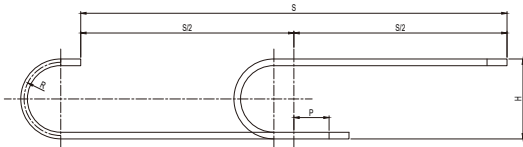
Applied in the condition of heavy load, long distance, top speed movement, bad environment etc.

拖链型号 Type	内宽 Inner width Bi(mm)	外宽 Outer width Ba(mm)	对应固定接头型号 Type of according fixed connector	A (mm)	B (mm)	C (mm)	ΦD (mm)
60.75.R	75	111	60.75.12PZ	95	35	45	9
60.100.R	100	136	60.100.12PZ	120	35	45	9
60.125.R	125	161	60.125.12PZ	145	35	45	9
60.150.R	150	186	60.150.12PZ	170	35	45	9
60.175.R	175	211	60.175.12PZ	195	35	45	9
60.200.R	200	236	60.200.12PZ	220	35	45	9
60.250.R	250	286	60.250.12PZ	270	35	45	9
60.300.R	300	336	60.300.12PZ	320	35	45	9
60.350.R	350	386	60.350.12PZ	370	35	45	9
60.400.R	400	436	60.400.12PZ	420	35	45	9

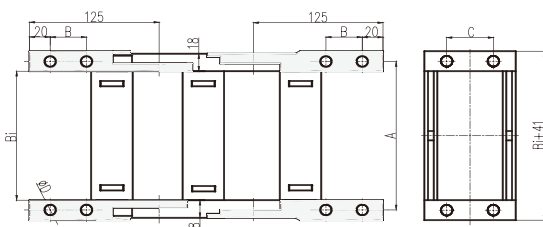
** : 订购时, 必须从可选弯曲半径R中选择合适的、确切的数值

The detailed value of R must be chosen from the dimensions

安装示意图 Delineation Of Installation



拖链长度 $L = S/2 + \pi R + K$ (安装余量)
Length of chains: $L = S/2 + \pi R + K$ (spare space)
 $K = P + (2 \sim 3)T$



拖链示意图
Delineation of cable chain



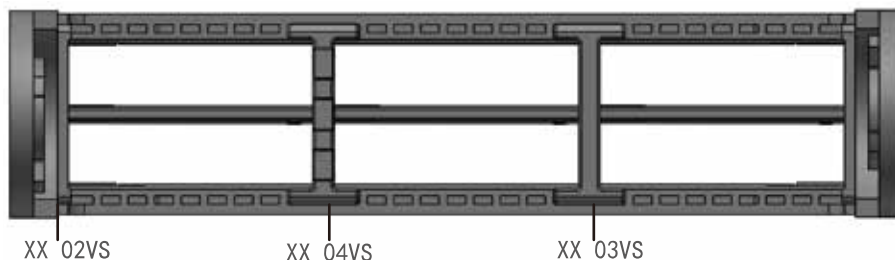
可选附件 Optional Accessories:

竖隔片 vertical separator : 60.01VS/60.02VS/60.03VS/60.04VS

横隔片 Shelf : 60.SL50/60.SL75/60.SL100

梳状板 Tiewrap Plate : SZB60-100M/SZB60-125M/SZB60-150M/SZB60-175M

60系列拖链附件参数 60 Series Parameters of Drag Chain Accessories



60系列附件:60 Series Accessories

竖隔片 Separator

• 功能:

竖隔片是安装在拖链内部,以拖链上下盖板为固定位置,主要作用是分隔开左右两侧的电缆。

Function: The separator is installed inside the drag chain, with the upper and lower covers of the drag chain as a fixed position, and its main function is to separate the cables on the left and right sides.

• 使用说明:

请参考26系列拖链附件竖隔片参数。(注:当选配横隔片时60.01VS不能使用,横隔片不能从60.01VS中穿过)

Instructions: Please refer to the parameters of the separators of the 26 series drag chain accessories.

(Note: 60.01VS cannot be used when the shelf is selected, and the shelf cannot be passed through 60.01VS)



横隔片 Shelf (60系列横隔片)

• 功能:

横隔片是安装在竖隔片上,主要作用是分隔开上下方向的电缆。

Function: The shelf is installed on the separator, and its main function is to separate the cables in the up and down direction.

• 使用说明:

请参考26系列拖链附件横隔片参数,横隔片应与60.02VS、60.03VS、60.04VS竖隔片配合使用。

Instructions: Please refer to the parameters of the 26 series drag chain accessory shelf. The shelf should be used in conjunction with the 60.02VS, 60.03VS, and 60.04VS separators.



梳状板 Tiewrap Plate

• 功能:

梳状板主要是安装在封闭拖链盖板上,电缆可通过扎带很方便的固定在梳齿上,起固定电缆、去除应力的作用。

Function: The tie-wrap plate is mainly installed on the cover plate of the unclosed drag chain, and the cable can be easily fixed on the teeth with a cable tie to fix the cable and remove the stress.



说明:

60系列在水平向上,由于其高度的原因,目前只能最多三层

60系列在竖直方向上,根据盖板的长度及客户的需求不同,隔开的部分而不同,但由于横隔片的长度的限制,目前隔开部分的宽度可以为50mm、75mm、100mm。

60系列拖链可以同时水平及竖直方向隔开,已达到客户的需求,具体隔开尺寸可以参考水平方向及竖直方向。

Note:

1. The 60 series chains can only be divided into Three layers due to its height in its horizontal direction.

2. Different separation figuration can be done as per customer's request. But due to the length of the cover, now we only have 50mm、75mm and 100mm width separator.

3. Customer can use both separator and shelf to arrange the vertical and horizontal separation

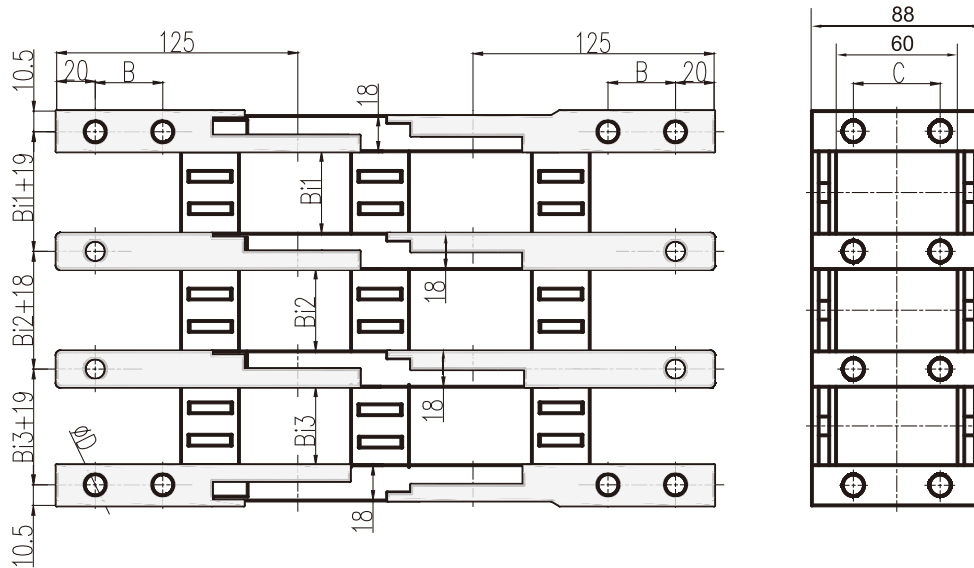
60拓展拖链 Extension Cable Chains

拓展拖链:用于需要极宽拖链的应用场合,最宽可达2.5米。

Extension links:for extremely wide cable chains up to 2.5m.



- 用于因为负载极大而需要极宽拖链(可达2500毫米)的应用
For applications in which particularly high fill weight necessitate extremely wide cable chains (up to 2500mm)
- 拓展拖链设计使拖链可以几乎无限制地并排连接起来
The extension link design allows virtually limitless side-by-side attachment of chains
- 需要高负载时,可以增加拖链的架空长度
The unsupported length of a chain can be increased when additional loads are required
- 适于架空及滑行应用(在导向槽中)
They are suitable for unsupported and gliding applications in a guide trough



拖链型号 type	内宽一 inner width Bi1	内宽二 inner width Bi2	内宽三 inner width Bi3	B(mm)	C(mm)	D(mm)	对应接头型号 type of according fixed connectors
60.Bi1/Bi2/Bi3/...R	自选 optional1	自选 optional1	自选 optional1	35	45	9	60.Bi1/Bi2/Bi3/...12PZ

内宽可提供
Optional inner width 75, 100, 125, 150, 175, 200, 250, 300

弯曲半径R可提供
Optional bending radius 100, 125, 150, 200, 250, 300, 350, 400, 500

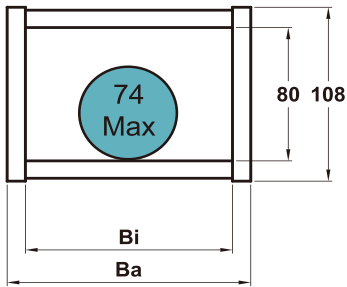
订货举例 Guide To Purchase

当选择内宽为100mm和175mm,弯曲半径为100mm的60系列拖链进行拓展连接时,拖链的型号为60. 100/175. 100,对应接头型号为60. 100/175. 12PZ. 该拖链外高为88mm,外宽为18+100+18+175+18=329mm

When making the extension links between a 60 series chains with 100mm inner width and 175mm inner width, 100mm bending radius,the type of chains is 60. 100/175. 100, the type of connectors accordingly is 60. 100/175. 12PZ. The outer height of the cable chains is 88mm,and the outer width of the chains is 18+100+18+175+18=329mm.

80不封闭系列-双面可打开 Non-Closed Series-Both Sides Can Be Opened

主要技术参数 Basic technical data

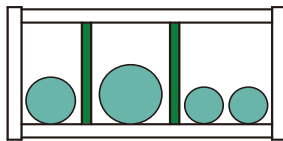


内高 Inner Height(mm) :	80
最大允许电缆外径(mm) :	74
Max Outer Diameter of Cable	
节距 T Pitch(mm) :	100(每米10节)(10 segments/m)
最大水平悬空长度(m) :	5.0
Max Horizontal Hanging Length	
最大允许行程	300
Max Travel Distance(m):	
最大允许垂直悬挂	80
Max Vertical Hanging(m):	
可选弯曲半径R(mm):	125、150、200、250、300、350、400、500
Optional Bending Radius	

应用场合 Application:

可应用于负载较重,长距离,高速运动,环境恶劣等场合

Applied in the condition of heavy load, long distance, top speed movement, bad environment etc.



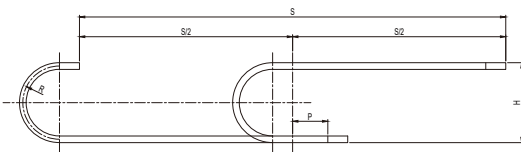
分隔片
Separator

拖链型号 Type	内宽 Inner width Bi(mm)	外宽 Outer width Ba(mm)	对应固定接头型号 Type of according fixed connector	A (mm)	B (mm)	C (mm)	ΦD (mm)
80.100.R	100	144	80.100.12PZ	125	35	66	11
80.125.R	125	169	80.125.12PZ	150	35	66	11
80.150.R	150	194	80.150.12PZ	175	35	66	11
80.175.R	175	219	80.175.12PZ	200	35	66	11
80.200.R	200	244	80.200.12PZ	225	35	66	11
80.250.R	250	294	80.250.12PZ	275	35	66	11
80.300.R	300	344	80.300.12PZ	325	35	66	11
80.350.R	350	394	80.350.12PZ	375	35	66	11
80.400.R	400	444	80.400.12PZ	425	35	66	11

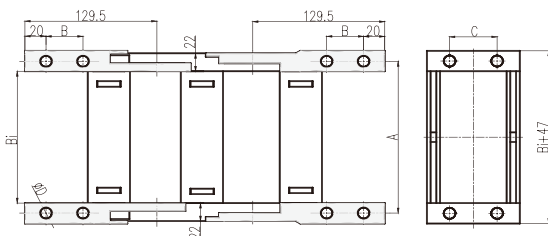
**：订购时,必须从可选弯曲半径R中选择合适的、确切的数值

The detailed value of R must be chosen from the dimensions

安装示意图 Delineation Of Installation



拖链长度 $L = S/2 + \pi R + K$ (安装余量)
Length of chains: $L = S/2 + \pi R + K$ (spare space)
 $K = P + (2 \sim 3)T$



拖链示意图
Delineation of cable chain



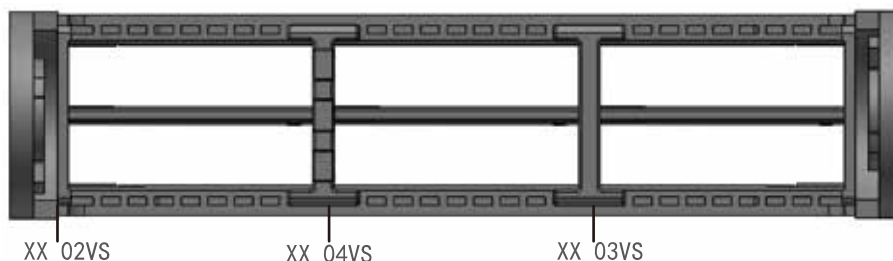
可选附件 Optional Accessories:

竖隔片 vertical separator : 80.01VS/80.02VS/80.03VS/80.04VS

横隔片 Shelf : 60.SL50/60.SL75/60.SL100

梳状板 Tie-wrap Plate : SZB60-100M/SZB60-125M/SZB60-150M/SZB60-175M

80系列拖链附件参数 80 Series Parameters of Drag Chain Accessories



80系列附件: 80 Series Accessories

竖隔片 Separator

• 功能:

竖隔片是安装在拖链内部,以拖链上下盖板为固定位置,主要作用是分隔开左右两侧的电缆。

Function: The separator is installed inside the drag chain, with the upper and lower covers of the drag chain as a fixed position, and its main function is to separate the cables on the left and right sides.

• 使用说明:

请参考26系列拖链附件竖隔片参数。(注:当选配横隔片时80.01VS不能使用,横隔片不能从80.01VS中穿过)

Instructions: Please refer to the parameters of the separators of the 26 series drag chain accessories.

(Note: 80.01VS cannot be used when the shelf is selected, and the shelf cannot be passed through 80.01VS)



80.01VS

80.02VS

80.03VS

80.04VS

横隔片 Shelf (80系列横隔片)

• 功能:

横隔片是安装在竖隔片上,主要作用是分隔开上下方向的电缆。

Function: The shelf is installed on the separator, and its main function is to separate the cables in the up and down direction.

• 使用说明:

请参考26系列拖链附件横隔片参数,横隔片应与80.02VS、80.03VS、80.04VS竖隔片配合使用。

Instructions: Please refer to the parameters of the 26 series drag chain accessory shelf. The shelf should be used in conjunction with the 80.02VS, 80.03VS, and 80.04VS separators.



60.SL50

60.SL75

60.SL100

梳状板 Tiewrap Plate

• 功能:

梳状板主要是安装在非封闭拖链盖板上,电缆可通过扎带很方便的固定在梳齿上,起固定电缆、去除应力的作用。

Function: The tiewrap plate is mainly installed on the cover plate of the unclosed drag chain, and the cable can be easily fixed on the teeth with a cable tie to fix the cable and remove the stress.



SZB60-100M

SZB60-125M

SZB60-150M

SZB60-175M

说明:

80系列在水平向上,由于其高度的原因,目前只能最多三层

80系列在竖直方向上,根据盖板的长度及客户的需求不同,隔开的部分而不同,但由于横隔片的长度的限制,目前隔开部分的宽度可以为50mm、75mm、100mm。

Note:

1. The 80 series chains can only be divided into Three layers due to its height in its horizontal direction.

2. Different separation figuration can be done as per customer's request. But due to the length of the cover, now we only have 50mm、75mm and 100mm width separator.

3. Customer can use both separator and shelf to arrange the vertical and horizontal separation

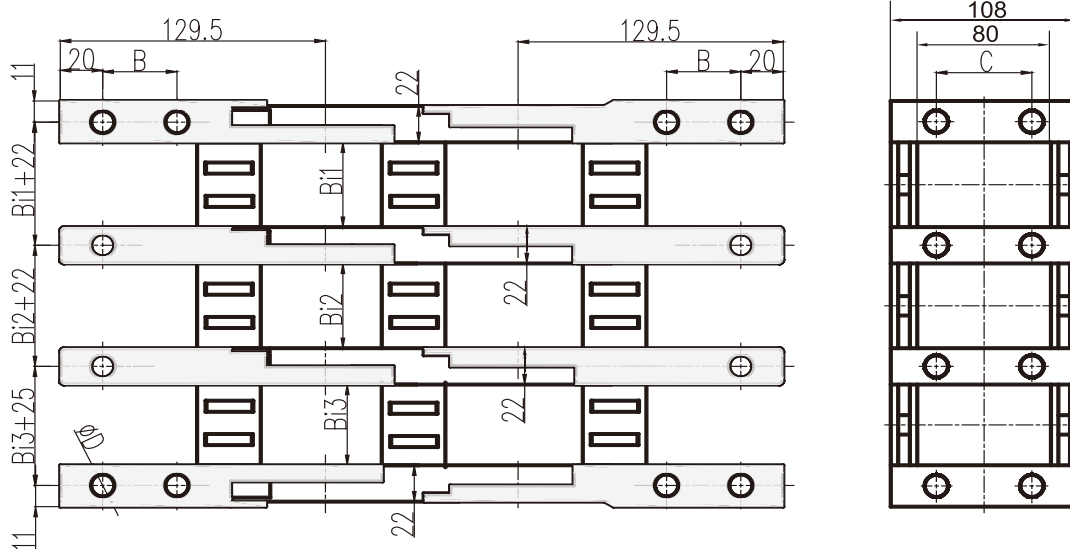
80拓展拖链 Extension Links

拓展拖链:用于需要极宽拖链的应用场合,最宽可达2.5米。

Extension links:for extremely wide cable chains up to 2.5m.



- 用于因为负载极大而需要极宽拖链(可达2500毫米)的应用
For applications in which particularly high fill weight necessitate extremely wide cable chains (up to 2500mm)
- 拓展拖链设计使拖链可以几乎无限地并排连接起来
The extension link design allows virtually limitless side-by-side attachment of chains
- 需要高负载时,可以增加拖链的架空长度
The unsupported length of a chain can be increased when additional loads are required.
- 适于架空及滑行应用(在导向槽中)
They are suitable for unsupported and gliding applications in a guide trough



拖链型号 type	内宽一 inner width Bi1	内宽二 inner width Bi2	内宽三 inner width Bi3	B(mm)	C(mm)	D(mm)	对应接头型号 type of according fixed connectors
60.Bi1/Bi2/Bi3/...R	自选 optional1	自选 optional1	自选 optional1	35	66	11	60.Bi1/Bi2/Bi3/...12PZ

内宽可提供

Optional inner width

100、125、150、175、200、250、300、350、400

弯曲半径R可提供

Optional bending radius

125、150、200、250、300、350、400、500

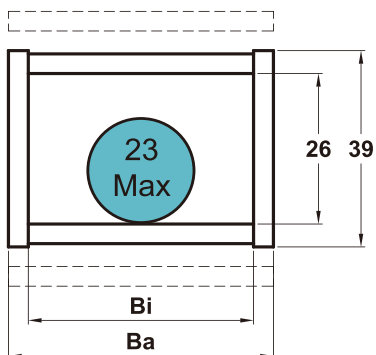
订货举例 Guide To Purchase

当选择内宽为100mm和175mm,弯曲半径为125mm的80系列拖链进行拓展连接时,拖链的型号为80.100/175.125,对应接头型号为80.100/175.12PZ.该拖链外高为108mm,外宽为22+100+22+175+22=341mm

When making the extension links between a 80 series chains with 100mm inner width and 175mm inner width, 125mm bending radius,the type of chains is 80.100/175.125, the type of connectors accordingly is 80.100/175.12PZ. The outer height of the cable chains is 108mm,and the outer width of the chains is 22+100+22+175+22=341mm.

26C全封闭系列 - 内侧可打开 26C Closed Series-inner Side Can Be Opened

主要技术参数 Basic technical data

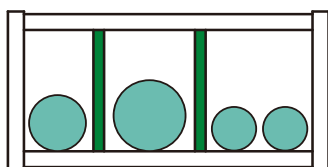


内高 Inner Height(mm) :	26
最大允许电缆外径(mm) :	23
Max Outer Diameter of Cable	
节距 T Pitch(mm) :	46(每米22节)(22 segments/m)
最大水平悬空长度(m) :	2.0
Max Horizontal Hanging Length	
最大允许行程	100
Max Travel Distance(m):	
最大允许垂直悬挂	40
Max Vertical Hanging(m):	
可选弯曲半径R(mm):	60、75、100、125、150、200、250
Optional Bending Radius	

应用场合 Application:

可应用于负载较重, 中长距离, 需封闭的, 高速运动, 环境恶劣等场合

Applied in the condition of heavy load, medium or long distance, need closed, top speed movement, bad environment etc.

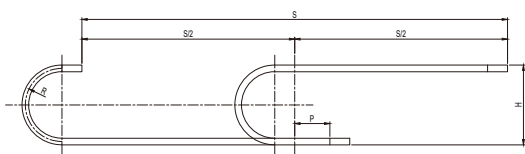


分隔片
Separator

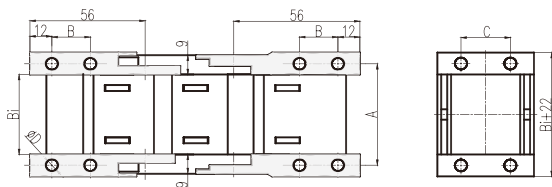
拖链型号 Type	内宽 Inner width Bi(mm)	外宽 Outer width Ba(mm)	对应固定接头型号 Type of according fixed connector	A (mm)	B (mm)	C (mm)	ΦD (mm)
26C.40.R	40	58	26C.40.12PZ	52	14	15	4.5
26C.50.R	50	68	26C.50.12PZ	62	14	15	4.5
26C.75.R	75	93	26C.75.12PZ	87	14	15	4.5
26C.100.R	100	118	26C.100.12PZ	112	14	15	4.5
26C.125.R	125	143	26C.125.12PZ	137	14	15	4.5
26C.150.R	150	168	26C.150.12PZ	162	14	15	4.5

** : 订购时, 必须从可选弯曲半径R中选择合适的、确切的数值
The detailed value of R must be chosen from the dimensions

安装示意图 Delineation Of Installation



拖链长度 $L = S/2 + \pi R + K$ (安装余量)
Length of chains: $L = S/2 + \pi R + K$ (spare space)
 $K = P + (2 \sim 3)T$



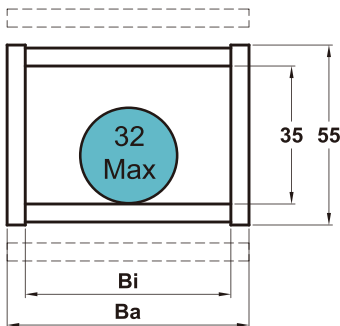
拖链示意图
Delineation of cable chain



可选附件 Optional Accessories:
隔片 Separator: 26C.01VS

35C全封闭系列 - 双面可打开 Closed Series-both Sides Can Be Opened

主要技术参数 Basic technical data

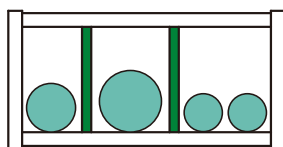


内高 Inner Height(mm) :	35
最大允许电缆外径(mm) :	32
Max Outer Diameter of Cable	
节距 T Pitch(mm) :	56(每米18节)(18 segments/m)
最大水平悬空长度(m) :	2.4
Max Horizontal Hanging Length	
最大允许行程	140
Max Travel Distance(m):	
最大允许垂直悬挂	50
Max Vertical Hanging(m):	
可选弯曲半径R(mm):	100、125、150、200、250、300
Optional Bending Radius	

应用场合 Application:

可应用于负载较重, 长距离, 需封闭的, 高速运动, 环境恶劣等场合

Applied in the condition of heavy load, long distance, need closed, top speed movement, bad environment etc.



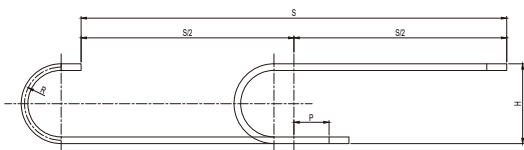
分隔片
Separator

拖链型号 Type	内宽 Inner width Bi(mm)	外宽 Outer width Ba(mm)	对应固定接头型号 Type of according fixed connector	A (mm)	B (mm)	C (mm)	ΦD (mm)
35C.50.R	50	74	35C.50.12PZ	65	22.5	22	5.5
35C.75.R	75	99	35C.75.12PZ	90	22.5	22	5.5
35C.100.R	100	124	35C.100.12PZ	115	22.5	22	5.5
35C.125.R	125	149	35C.125.12PZ	140	22.5	22	5.5
35C.150.R	150	174	35C.150.12PZ	165	22.5	22	5.5
35C.175.R	175	199	35C.175.12PZ	190	22.5	22	5.5
35C.200.R	200	224	35C.200.12PZ	215	22.5	22	5.5
35C.250.R	250	274	35C.250.12PZ	265	22.5	22	5.5

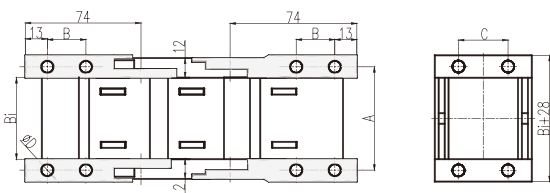
** : 订购时, 必须从可选弯曲半径R中选择合适的、确切的数值

The detailed value of R must be chosen from the dimensions

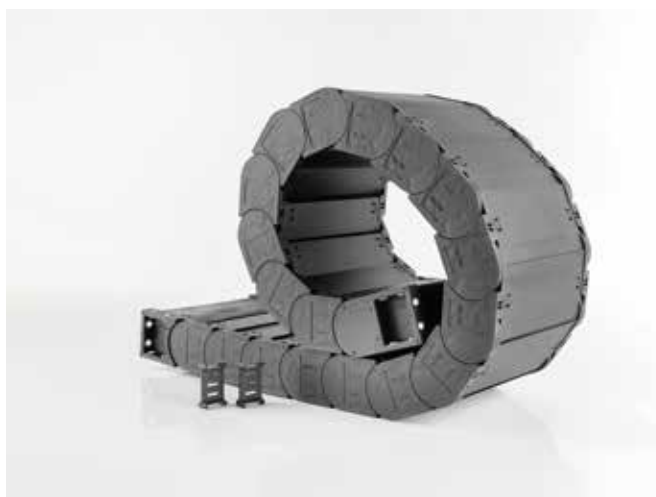
安装示意图 Delineation Of Installation



拖链长度 $L = S/2 + \pi R + K$ (安装余量)
Length of chains: $L = S/2 + \pi R + K$ (spare space)
 $K = P + (2-3)T$



拖链示意图
Delineation of cable chain

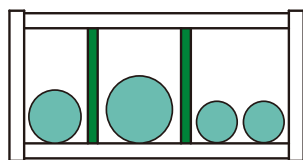
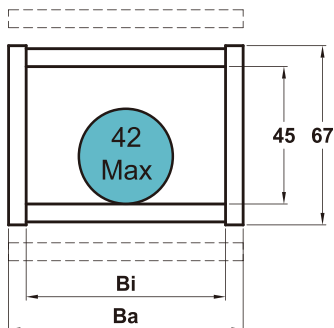


可选附件 Optional Accessories:

隔片 Separator: 35.01VS

45C全封闭系列-双面可打开 Closed Series-both Sides Can Be Opened

主要技术参数 Basic technical data



分隔片
Separator

内高 Inner Height(mm) :	45
最大允许电缆外径(mm) :	42
Max Outer Diameter of Cable	
节距 T Pitch(mm) :	67(每米15节)(15 segments/m)
最大水平悬空长度(m) :	2.8
Max Horizontal Hanging Length	
最大允许行程	200
Max Travel Distance(m):	
最大允许垂直悬挂	70
Max Vertical Hanging(m):	
可选弯曲半径R(mm):	100、125、150、200、250、300
Optional Bending Radius	

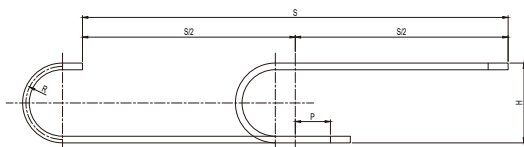
应用场合 Application:

可应用于负载较重, 长距离, 需封闭的, 高速运动, 环境恶劣等场合
Applied in the condition of heavy load, long distance, need closed, top speed movement, bad environment etc.

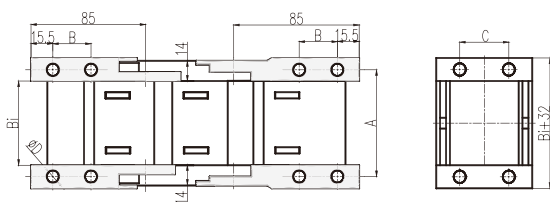
拖链型号 Type	内宽 Inner width Bi(mm)	外宽 Outer width Ba(mm)	对应固定接头型号 Type of according fixed connector	A (mm)	B (mm)	C (mm)	ΦD (mm)
45C.50.R	50	78	45C.50.12PZ	67	22.5	22	6.5
45C.75.R	75	103	45C.75.12PZ	92	22.5	22	6.5
45C.100.R	100	128	45C.100.12PZ	117	22.5	22	6.5
45C.125.R	125	153	45C.125.12PZ	142	22.5	22	6.5
45C.150.R	150	178	45C.150.12PZ	167	22.5	22	6.5
45C.175.R	175	203	45C.175.12PZ	192	22.5	22	6.5
45C.200.R	200	228	45C.200.12PZ	217	22.5	22	6.5
45C.250.R	250	278	45C.250.12PZ	267	22.5	22	6.5

** : 订购时, 必须从可选弯曲半径R中选择合适的、确切的数值
The detailed value of R must be chosen from the dimensions

安装示意图 Delineation Of Installation



拖链长度 $L = S/2 + \pi R + K$ (安装余量)
Length of chains: $L = S/2 + \pi R + K$ (spare space)
 $K = P + (2 \sim 3)T$



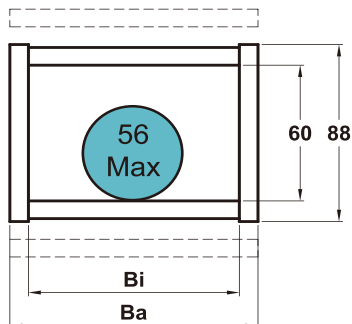
拖链示意图
Delineation of cable chain



可选附件 Optional Accessories:
隔片 Separator: 45.01VS

60C系列-双面可打开 Closed Series-both Sides Can Be Opened

主要技术参数 Basic technical data

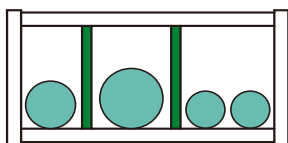


内高 Inner Height(mm) :	60
最大允许电缆外径(mm) :	56
Max Outer Diameter of Cable	
节距 T Pitch(mm) :	91(每米11节)(11 segments/m)
最大水平悬空长度(m) :	3.9
Max Horizontal Hanging Length	
最大允许行程	280
Max Travel Distance(m):	
最大允许垂直悬挂	70
Max Vertical Hanging(m):	
可选弯曲半径R(mm):	150、200、250、300、350、400
Optional Bending Radius	

应用场合 Application:

可应用于负载较重, 长距离, 需封闭的, 高速运动, 环境恶劣等场合

Applied in the condition of heavy load, long distance, need closed, top speed movement, bad environment etc.



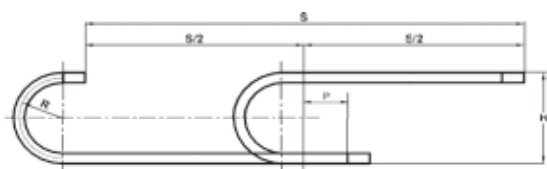
分隔片
Separator

拖链型号 Type	内宽 Inner width Bi(mm)	外宽 Outer width Ba(mm)	对应固定接头型号 Type of according fixed connector	A (mm)	B (mm)	C (mm)	ΦD (mm)
60C.75.R	75	111	60C.75.12PZ	95	35	45	9
60C.100.R	100	136	60C.100.12PZ	120	35	45	9
60C.125.R	125	161	60C.125.12PZ	145	35	45	9
60C.150.R	150	186	60C.150.12PZ	170	35	45	9
60C.175.R	175	211	60C.175.12PZ	195	35	45	9
60C.200.R	200	236	60C.200.12PZ	220	35	45	9
60C.250.R	250	286	60C.250.12PZ	270	35	45	9
60C.300.R	300	336	60C.300.12PZ	320	35	45	9

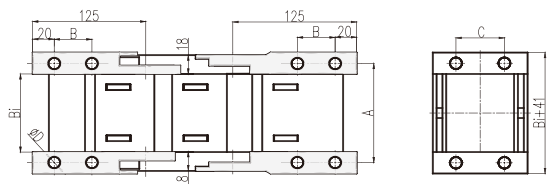
**：订购时, 必须从可选弯曲半径R中选择合适的、确切的数值

The detailed value of R must be chosen from the dimensions

安装示意图 Delineation Of Installation



拖链长度 $L = S/2 + \pi R + K$ (安装余量)
Length of chains: $L = S/2 + \pi R + K$ (spare space)
 $K = P + (2 \sim 3)T$



拖链示意图
Delineation of cable chain



可选附件 Optional Accessories:

隔片 Separator: 60.01VS

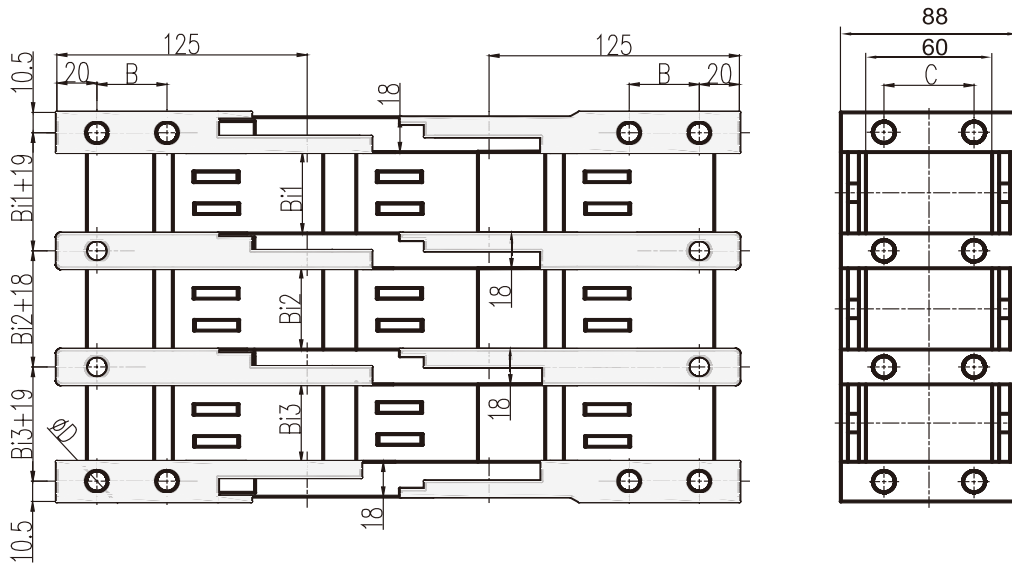
*我司可提供80C全封闭拖链, 具体规格请与我司联系

60C拓展拖链 Extension Links



拓展拖链:用于需要极宽拖链的应用场合,最宽可达2.5米。
Extension links:for extremely wide cable chains up to 2.5m.

- 用于因为负载极大而需要极宽拖链(可达2500毫米)的应用
 For applications in which particularly high fill weight necessitate extremely wide cable chains (up to 2500mm)
- 拓展拖链设计使拖链可以几乎无限制地并排连接起来
 The extension link design allows virtually limitless side-by-side attachment of chains
- 需要高负载时,可以增加拖链的架空长度
 The unsupported length of a chain can be increased when additional loads are required.
- 适于架空及滑行应用(在导向槽中)
 They are suitable for unsupported and gliding applications in a guide trough



拖链型号 type	内宽一 inner width Bi1	内宽二 inner width Bi2	内宽三 inner width Bi3	B(mm)	C(mm)	D(mm)	对应接头型号 type of according fixed connectors
60.Bi1/Bi2/Bi3/...R	自选 optional1	自选 optional1	自选 optional1	35	45	9	60C.Bi1/Bi2/Bi3/...12PZ

内宽可提供
 Optional inner width
 75、100、125、150、175、200、250、300

弯曲半径R可提供
 Optional bending radius
 150、200、250、300、350、400、500

订货举例 Guide To Purchase

当选择内宽为100mm和175mm, 弯曲半径为200mm的60C系列拖链进行拓展连接时, 拖链的型号为60C. 100/175. 200, 对应接头型号为60C. 100/175. 12PZ. 该拖链外高为88mm, 外宽为18+100+18+175+18=329mm

When making the extension links between a 60C series chains with 100mm inner width and 175mm inner width, 200mm bending radius, the type of chains is 60C. 100/175, 200, the type of connectors accordingly is 60C. 100/175. 12PZ. The outer height of the cable chains is 88mm, and the outer width of the chains is 18+100+18+175+18=329mm.

26系列及以上规格拖链的安装和拆卸方式:

Installation and Disassembly Method of 26 Series and Above

四面均可打开,可从上面或者下面直接将电缆、气管、油管等放置进拖链内部。



打开横杆:
用平头螺丝刀以45°斜角插入横杆左侧的上面的间隙,往上撬开横杆的左侧

Cover Board Opening:
Insert the screwdriver into the interstice between the cover board and the body of the right side ,then pry up the side of cover board



打开横杆:
然后用平头螺丝刀以45°斜角插入横杆右侧的上面的间隙,往上撬开横杆的右侧

Cover Board Opening:
Insert the screwdriver into the interstice between the cover board and the body of the left side ,then pry up the side of cover board



安装横杆:
将横杆如图所示,倾斜45°紧靠在拖链两侧板的卡口上

Cover Board Installation:
Put the cover board as the picture mentioned and adjoin it with the two sides of the chain



安装横杆:
然后用力按住横杆上面的部位,使横杆旋转进入卡槽中,如较紧的话,可用橡胶锤敲进去

Cover Board Installation:
Then punch the cover board into the bayonet of the body



拖链链接:
两头对在一起,用力将销推入孔中即可

Chain Connection:
Insert one end of the segment into another opposite end of segment



拖链拆分:
在链节与链之间用平头螺丝刀往外撬,使销与孔分离

Chain Separation:
Separate the segments with screwdriver until the punch hole are apart from the convex point



拖链拆分:
然后用力往外扳,使链节分离

Chain Separation:
Then, Switch out the two segments outward with hands



装拆接头:
与拖链的装拆一样

Chain Separation:
The way is as the same as chain

26C 系列及以上规格拖链的安装和拆卸方式:

Installation and Disassembly Method of 26C Series and Above

四面均可打开,可从上面或者下面直接将电缆、气管、油管等放置进拖链内部。



打开横杆:
用平头螺丝刀以45°斜角插入横杆左侧的上面的间隙,往上撬开横杆的左侧

Cover Board Opening:
Insert the screwdriver into the interstice between the cover board and the body of the right side ,then pry up the side of cover board



打开横杆:
然后用平头螺丝刀以45°斜角插入横杆右侧的上面的间隙,往上撬开横杆的右侧

Cover Board Opening:
Insert the screwdriver into the interstice between the cover board and the body of the left side ,then pry up the side of cover board



安装横杆:
将横杆如图所示,倾斜45°紧靠在拖链两侧板的卡口上

Cover Board Installation:
Put the cover board as the picture mentioned and adjoin it with the two sides of the chain



安装横杆:
然后用力按住横杆上面的部位,使横杆旋转进入卡槽中,如较紧的话,可用橡胶锤敲进去

Cover Board Installation:
Then punch the cover board into the bayonet of the body



拖链链接:
两头对在一起,用力将销推入孔中即可

Chain Connection:
Insert one end of the segment into another opposite end of segment



拖链拆分:
在链节与链之间用平头螺丝刀往外撬,使销与孔分离

Chain Separation:
Separate the segments with screwdriver until the punch hole are apart from the convex point



拖链拆分:
然后用力往外扳,使链节分离

Chain Separation:
Then, Switch out the two segments outward with hands



装拆接头:
与拖链的装拆一样

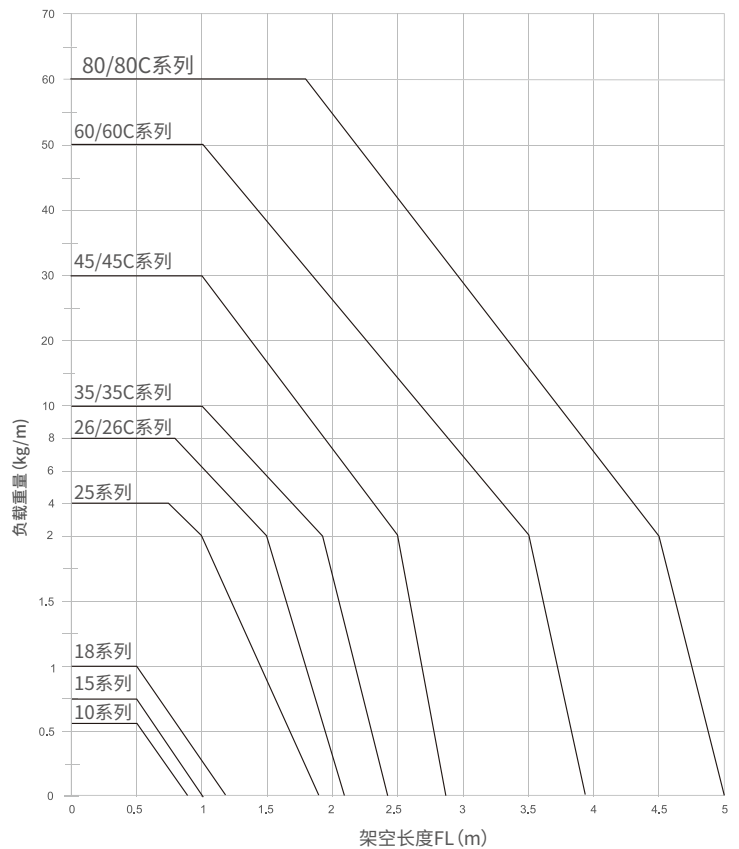
Chain Separation:
The way is as the same as chain

附:关于拖链载重说明: Attachment: Description Of Cable Chain Load:

- 文依公司的电缆拖链水平放平时呈上弓状态,可方便用户设计使用较长的架空长度,还可以提高拖链的耐用度和运行安全性。
- 当拖链水平安装时,由于自重和内装物重量的原因,拖链会下垂,考虑到这个因素,在设计上已赋予了拖链一定的负重能力。各种型号拖链负重能力与架空长度的关系见右图
- 拖链下垂,甚至上下链相互摩擦时,也不影响拖链的运动。如果不希望拖链下垂,可选择负重能力强的型号或可选择加托轮进行支撑。
- 长距离运动时,建议选择滑动运行方式。必须使用拖链导槽,文依公司可提供导向槽方案,或客户可按照文依提供的技术参数制作导槽。

Note: About load capacity of chain

- It is convenient for customers to use longer overhead length and improve durability and operating security of chain, because of the up-bow state of chain in horizontal position.
- The chain may droop owing to the weight itself and the weight of stowage when it is installed in horizontal position; however, with a view to this, the chain is designed and endowed with certain load capacity. (Right chart)
- the movement of chain is not influenced by the droop of chain and the mutual friction between chains. If the droop of chain is not allowed, select the type with good load capacity or add conveyor idler for support.
- If the chain moves within long distance, it is suggested to choose the sliding running mode. The guide path of the chain must be used. Weyer can provide solutions for guide path, or customers can produce guide path according to weyer's technical data.



拖链结构——精心设计 Well-designed structure of cable chains



不封闭链节四面均可打开

Non-closed chain Can be opened from each side.



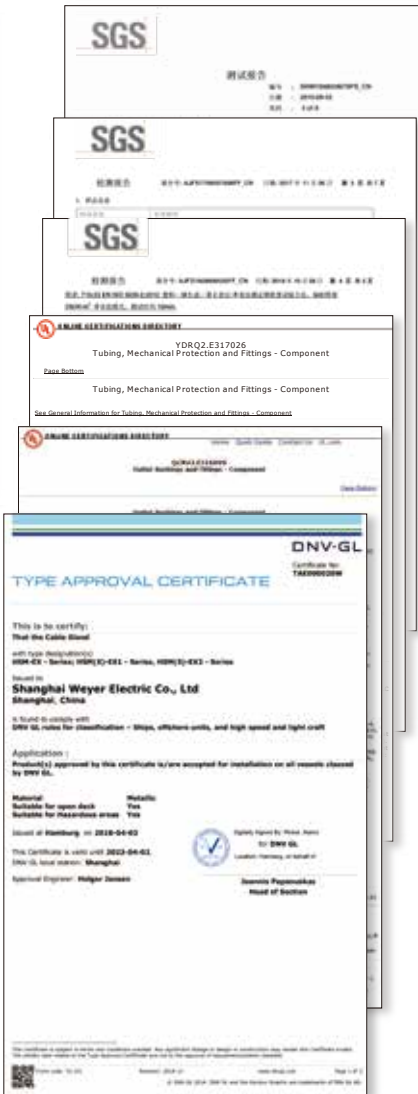
全封闭链节四面均可打开

Closed chain Can be opened from each side.



60/80系列拖链载重力极强

High load capacity of 60/80 series chain





www.weyer.com.cn

上海办事处

上海恒丰路638号苏河一号华森钻石广场1808室
电话:86-21-63802020(总机) 66525522(投诉电话)
传真:021-63802350/63808011
投诉邮箱:service@weyer.com.cn
E-mail:sales@weyer.com.cn

天津办事处

天津市南开区卫津路18号甲1新都大厦A座608室
电话:022-58786898
传真:022-58786899
E-mail:tjsales@weyer.com.cn

沈阳办事处

沈阳市铁西区兴华北街30号千缘新财富大厦1917室
电话:024-22743970/22736300/22722553
传真:024-22741021
E-mail:sysales@weyer.com.cn

广州办事处

广州市天河区车陂路113号东宏国际广场702室
电话:020-38460231/87561202/87560832
传真:020-87561139
E-mail:salesgz@weyer.com.cn

成都办事处

成都市武侯区航空路6号丰德国际广场E1-1209室
电话:028-85215618/85222986/85222996
传真:028-85215628
E-mail:cdsales@weyer.com.cn

西安办事处

西安市高新路88号尚品国际C北902室
电话:029-88331454
传真:029-88310356
E-mail:xasales@weyer.com.cn

上海文依电气股份有限公司

Shanghai Weyer Electric Co.,Ltd.
上海市浦东新区航鸣路6-8号
No.6 Hangming Road, Pudong New District, Shanghai, China
电话:86-021-68222020
传真:021-68221702
E-mail:sales@weyer.com.cn

文依精密科技(上海)有限公司

Weyer Precision Technology(Shanghai)Co.,Ltd
上海市奉贤区大叶公路6882号
No.6882 Daye Road, Fengxian District, Shanghai, China
电话:86-021-57562020

